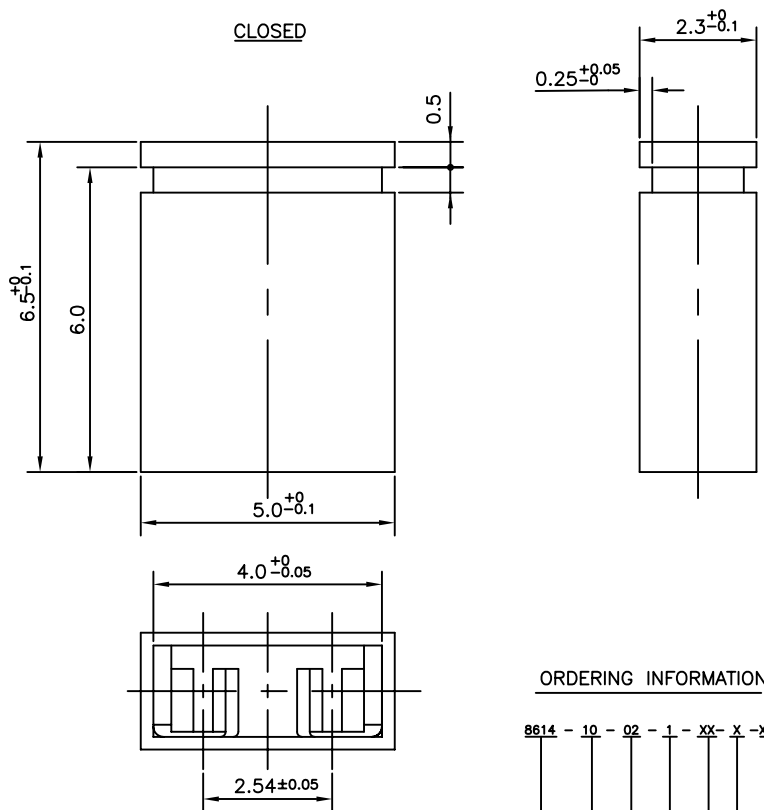




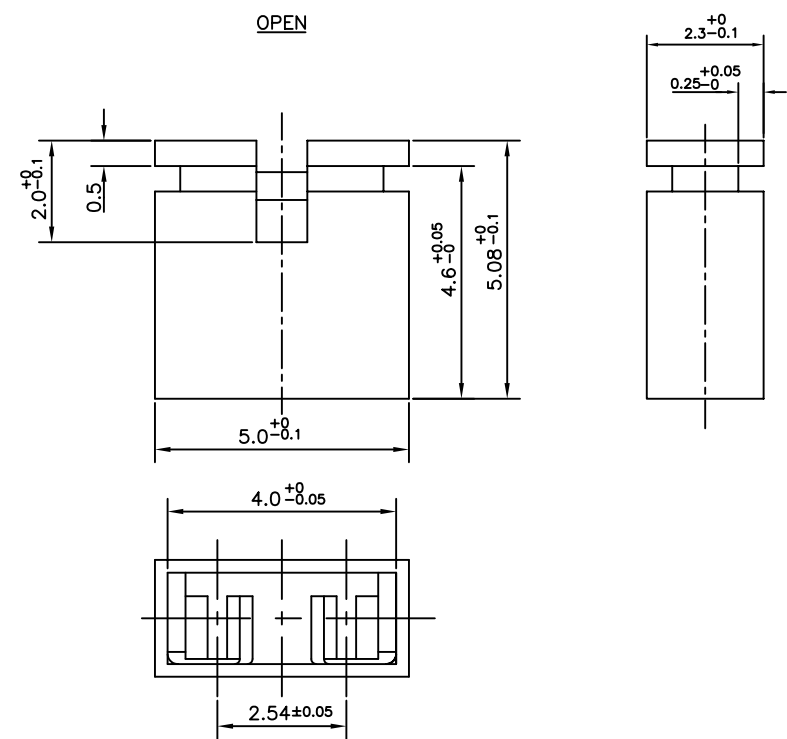
FCIconnect.com

Copyright FCI

CLOSED



OPEN



ORDERING INFORMATION

8614 - 10 - 02 - 1 - XX - X - XXX - XX

LF :-LEAD FREE

SPECIAL CODES
 BLANK - BLACK COLOR
 RD - RED COLOR
 BL - BLUE COLOR

PLATING

- 1 - TIN LEAD
- 2 - 0.2 μAu
- 3 - 0.75 μAu / NI SELECTIVE
- 4 - 0.2 μAu / NI SELECTIVE
- 5 - 1.27 μAu / NI SELECTIVE
- 6 - 0.75 μAu
- 7 - Au FLASH / NI SELECTIVE
- 8 - 1.27 μAu
- 9 - 0.4 μAu / NI SELECTIVE
- 10 - FULL GOLD FLASH
- 11 - NON- MAGNETIC (GOLD WITHOUT UNDERCOAT)

SERIES

FEMALE SHUNT CONN.

NO.OF CONTACTS -2

NO.OF ROWS

1 - SINGLE ROW

OPEN SHUNT (SHORT) - H0

CLOSED SHUNT(SHORT) - H1

TECHNICAL SPECIFICATION

INSULATOR MATERIAL : SELF EXTINGUISHING THERMOPLASTIC (UL94 V0)
 CONTACT MATERIAL : COPPER ALLOY
 MAXIMUM VOLTAGE : 500 V rms.
 NOMINAL CURRENT : 3A AT 20°C
 INSULATION RESISTANCE : > 1000 MΩ
 CLIMATIC CATAGORY : -55°C TO +125°C / 21 DAYS EXPOSURE TO- INDUSTRIAL ENVIRONMENT HUMIDITY TEST AS HE-14.
 CONTACT RESISTANCE : < 20mΩ

NOTES :
 1. THE PRODUCT (LF) MEETS EUROPEAN UNION DIRECTIVES AND OTHER COUNTRY REGULATIONS AS DESCRIBED IN GS-22-008

mat'l. code		surface		tolerance		projection		product family	
REF TECH SPEC		ISO 1302		ISO 406 ISO 1101				8614	
ltr		ecn no		dr		date		title	
C		106-0124		MKV		2002-07-12		FEMALE SHORTING PLUG (OPEN & CLOSED)	
D		106-0126		MKV		2003-06-07		scale	
E		106-0127		MKV		2004-09-29		MM	
F		106-0116		AB		2006-07-20		scale -	
enr		JAIK.A		1998-12-06		enr		dwg no	
chr		ALEX BABU		2006-07-20		chr		sheet 1 of 1	
appd		BIJU K P		2006-07-20		appd		size	
sheet index		revision sheet		C		D		A3	
1		1		1		1		5	