

6

5

4

3

2

1

E

D

C

B

A

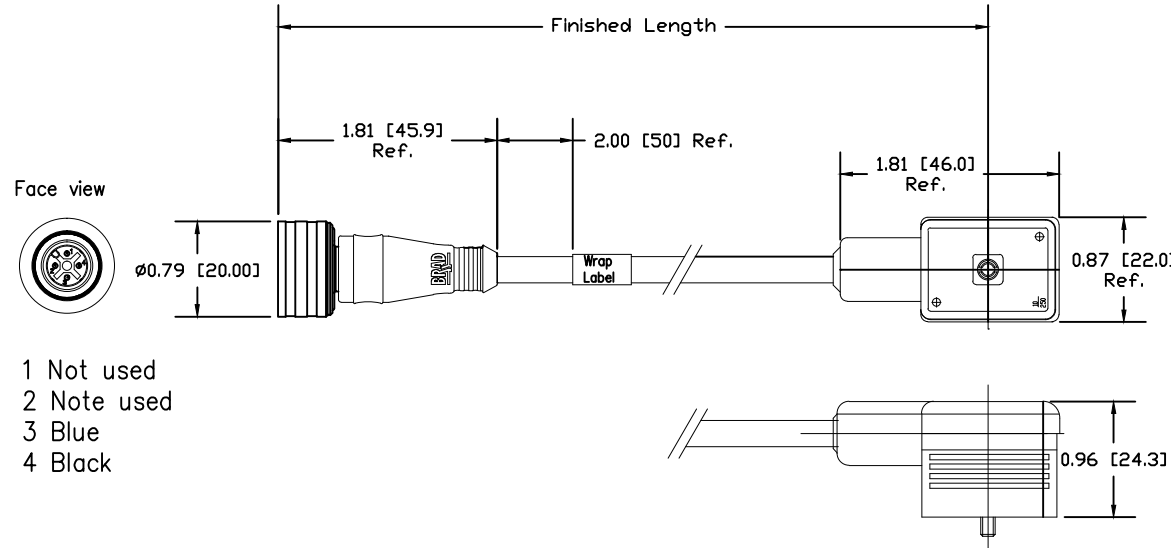
E

D

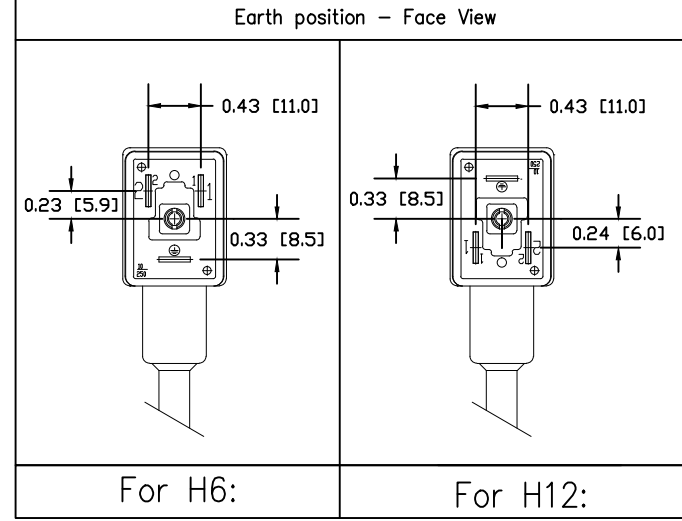
C

B

A



- 1 Not used
- 2 Note used
- 3 Blue
- 4 Black

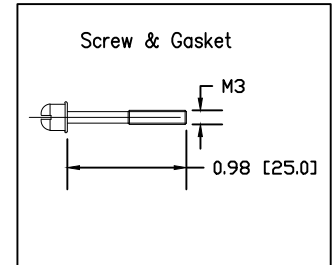
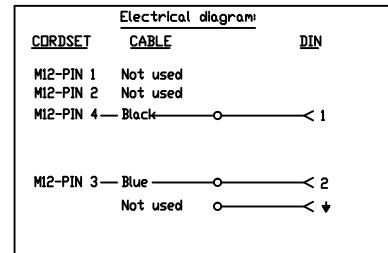


PART No MATRIX

F W 4 0 0 X A 0 9 M X X X

Length:
020=2 Meters
050=5 Meters
200=20 Meters

DIN Earth Position - o'clock &
M12 connector body:
0 = EARTH H6, MALE Straight
1 = EARTH H12, MALE Straight
2 = EARTH H6, MALE 90°
3 = EARTH H12, MALE 90°



MECHANICAL
CONTACT : GOLD/NICKEL OVER COPPER ALLOY
INSERT : BLACK NYLON
COUPLING NUT: TEFLON COAT OVER NICKEL PLATED BRASS
MOLDED BODY:ULTRA LOCK- YELLOW PVC
DIN BLACK POLYPROPYLENE
CABLE: 22 AWG 4 CONDUCTORS YELLOW PVC JACKET
CABLE O.D. .200±.10[5.08±.254]
BEND RADIUS 10XCABLE O.D.

ELECTRICAL
VOLTAGE RATING: 250V AC/DC
AMPERAGE: 4A

RELEASE	EC NO: ICG2013-1719	QUALITY SYMBOLS ▽=0 ▽C=0
	DRWN: TWOLDEGE 2013/05/08 CHKD: BRUPERT APPR: BWOODMAN 2013/11/07	
A	DESCRIPTION	

GENERAL TOLERANCES (UNLESS SPECIFIED)	
	mm INCH
4 PLACES	±--- ±---
3 PLACES	±--- ±.005
2 PLACES	±.13 ±.010
1 PLACE	±.25 ±.020
ANGULAR ±.5°	
DRAFT WHERE APPLICABLE MUST REMAIN WITHIN DIMENSIONS	

DIMENSION STYLE INCH/MM	
DRAWN BY	DATE
TWOLDEGE	2013/05/08
CHECKED BY	DATE
BRUPERT	---
APPROVED BY	DATE
BWOODMAN	2013/11/07
MATERIAL NO.	SEE MATRIX
SIZE	A

SCALE 1:1	DESIGN UNITS INCH	THIRD ANGLE PROJECTION
TITLE U-LOCK TO DIN ASSEMBLY 4-P MALE ULOCK-11MM DIN 22/4 AWG YLLOW PVC		
MOLEX INCORPORATED		
DOCUMENT NO. SD-121035-001	SHEET NO. 1 OF 1	
THIS DRAWING CONTAINS INFORMATION THAT IS PROPRIETARY TO MOLEX INCORPORATED AND SHOULD NOT BE USED WITHOUT WRITTEN PERMISSION		

6

5

4

3

2

1