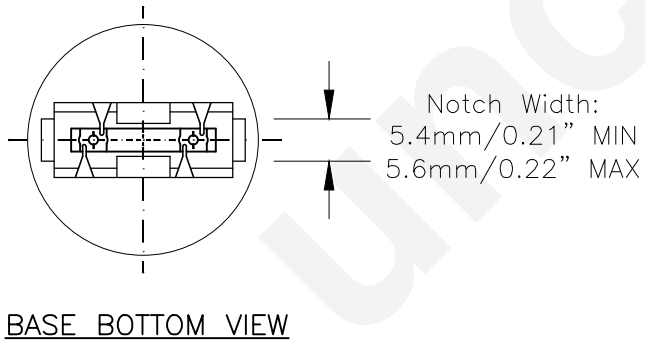
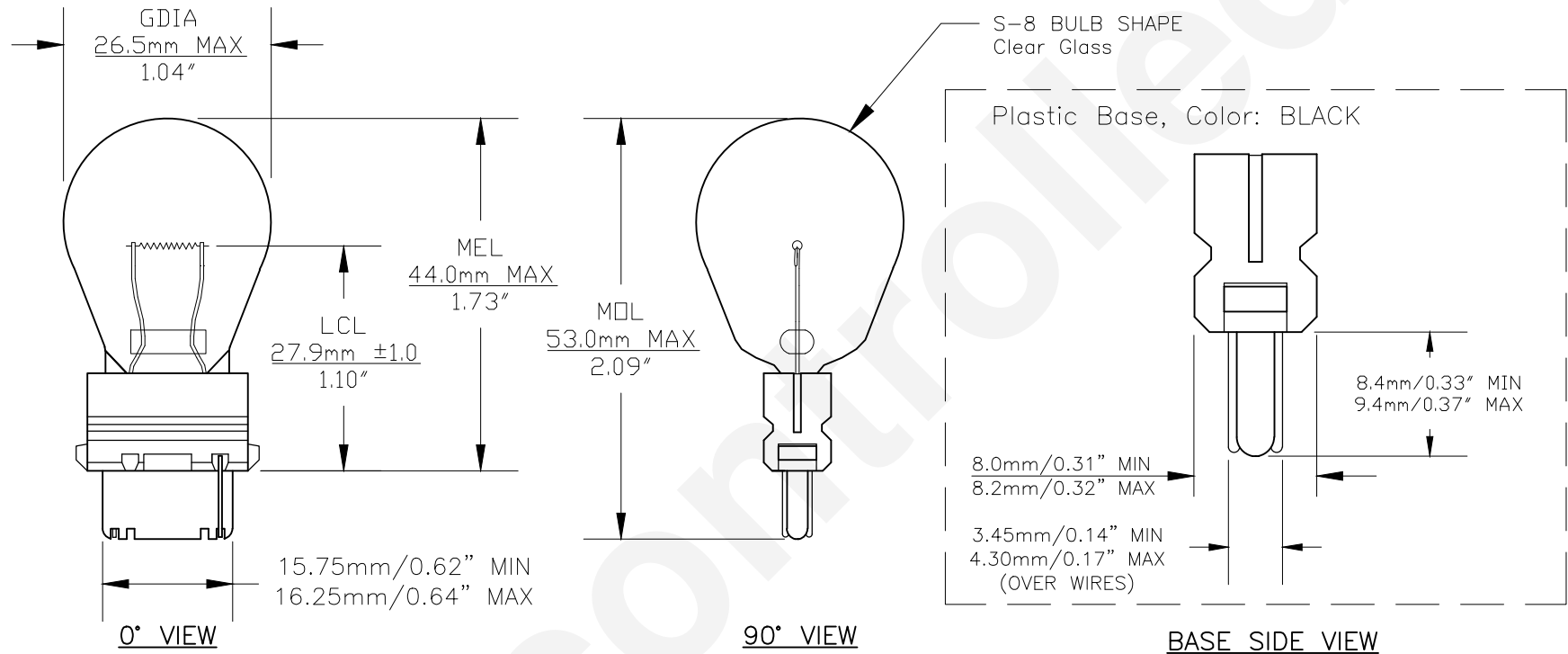




PART NO.	BASE TYPE	DESIGN VOLTS	DESIGN AMPS	MSCD	FILAMENT TYPE	AVERAGE LIFE HOURS	REVISIONS			
							REV #	DESCRIPTION	DATE	APPROVED
3156LL	S.F. Plastic Wedge W2.5X16d	12.8V	2.10±5%	32±10%	C-6	2000	1	ISSUED	06/12/2003	A.S.
							2	UPDATE	01/30/2013	S.L.



Note: Made according to SAE specifications



UNLESS OTHERWISE SPECIFIED: DIMENSIONS ARE IN INCHES TOLERANCES		CEC INDUSTRIES LTD			
DECIMALS .XX ± .05		599 BOND STREET		LINCOLNSHIRE, IL 60069	
ANGULAR .XXX ± .010		TITLE LIGHT BULB NO. 3156LL			
FRACTIONAL ±1/64		SIZE A	FSCM NO.	DWG NO. 3156LL	REV 2
DRAWN ANNA SOLOVEYCHIK	DATE 06/12/2003	SCALE	PLOT SCALE	SHEET 1 OF 1	
CHECKED	DESIGN	FILE 3156LL.pdf	DRAWING NOT TO SCALE		