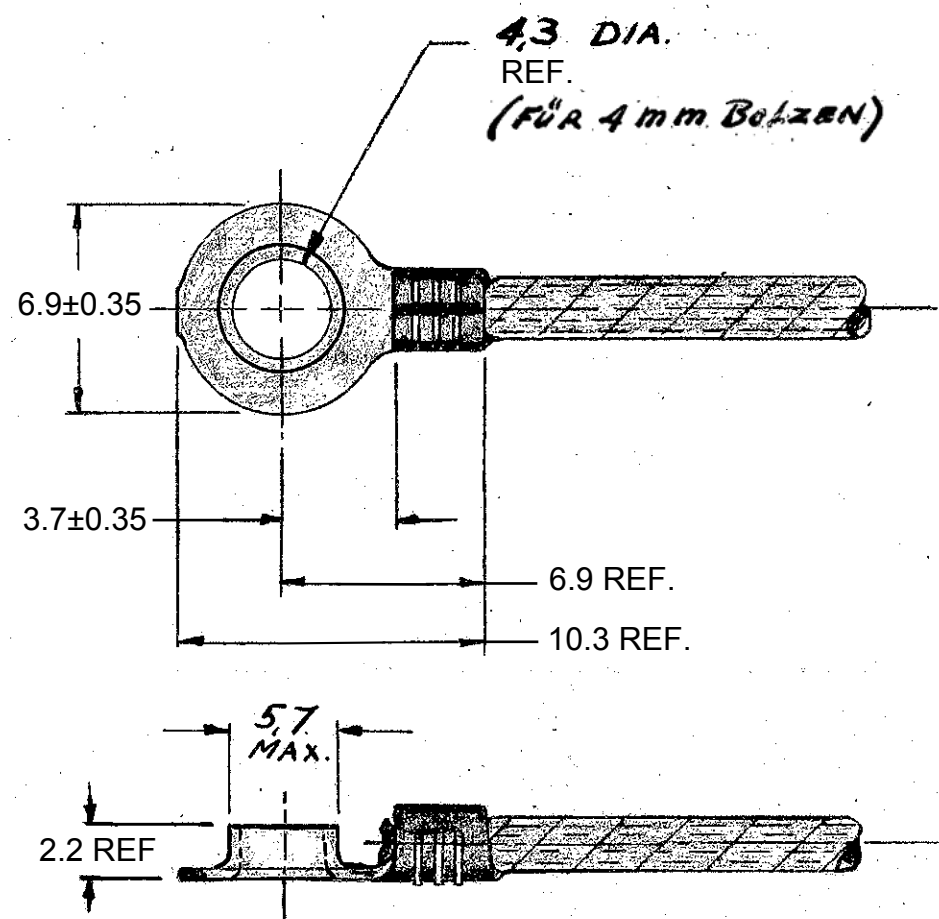


160088

ORDER NO	MATERIAL + FINISH	NOTE
160088-1	BRASS	1
160088-2	BRASS	2
160088-3	BRASS	3

OBSOLETE

USED ON



STA	No	ALT
1		
2		
3		
4		
5		
6		
7		
8		
9		
10		
11		
12		
13		
14		
15		
16		
17		
18		
19		

- NOTES:
- 1. FOR USE ON STANDARD AND MINIATURE APPLICATOR.
 - 2. FOR USE ON MINIATURE APPLICATOR, AMP. D. MATOR APPLICATION.
 - 3. REELED WITH PAPER LAYER.

MATERIAL: 05 MESSING

HEAT TREATMENT: ✓

FINISH: ✓

© TE AMP-Holland N.V. 1959

20		
21		
22		
23		
24		
25		

B2	REVISED PER ECR-17-017713	07DEC2017	BDA DL
B1	ECR-10-022530	02FEB11	KK
B	ADDED 160088-3 AND NOTE 3	11/14/98	R-D
A	ADDED TABLE AND NOTES.	03/27/88	JK
No.	ALTERATION	DATE	BY N.D.C.
DR.	W.J. Bots.	6-9-59	TR.
CK.			APP.

STE TE Connectivity

KABELSCHUHE

MIT DURCHGEZOGENEN BOLZENLOCH

CLASS RING ZUNGE

TYPE AUTOMATISCH

SIZE 05-143 mm²

TOLERANCES-ALL DIMENSIONS ± , EXCEPT AS NOTED

SCALE: 4-1

C-160088-I