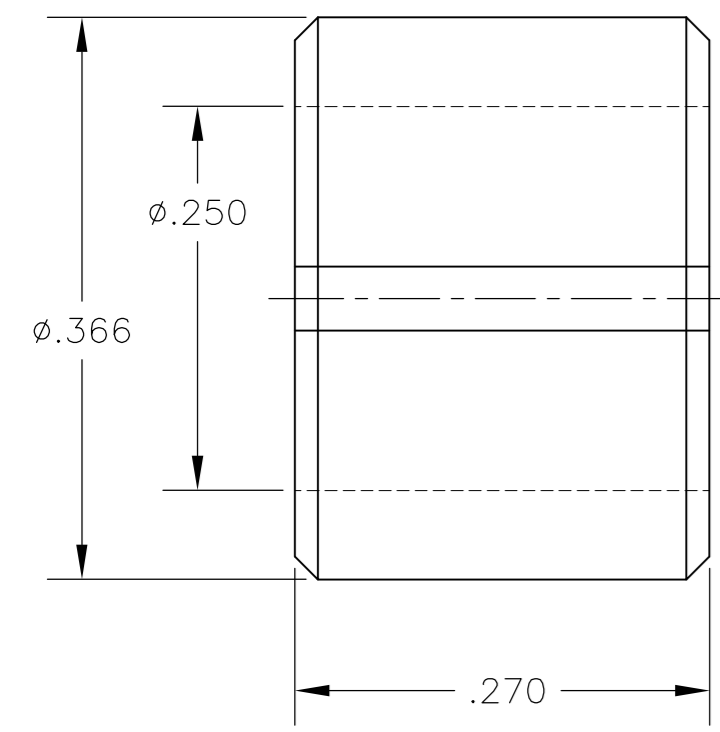
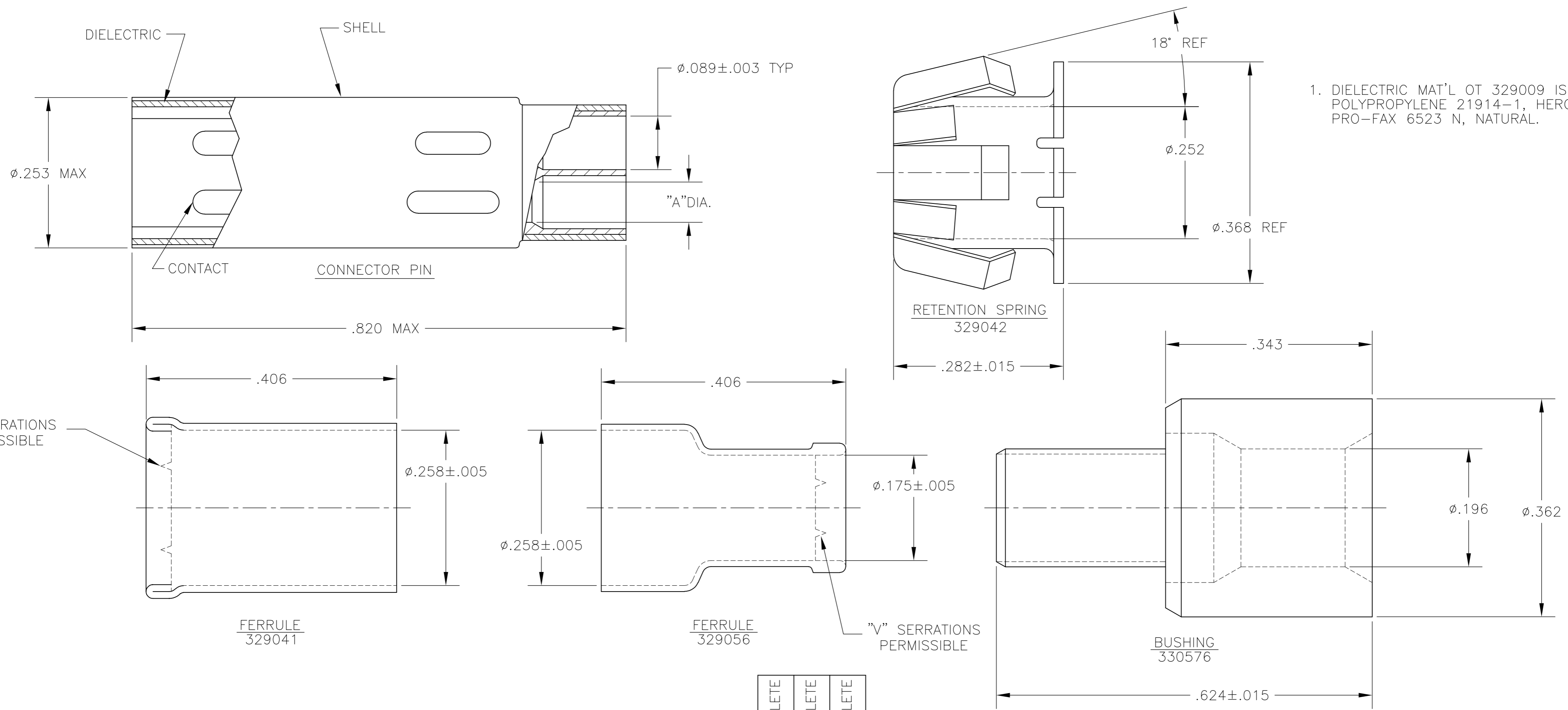


THIS DRAWING IS UNPUBLISHED. RELEASED FOR PUBLICATION
 © COPYRIGHT 2005 BY TYCO ELECTRONICS CORPORATION. ALL RIGHTS RESERVED.

Loc	DIST	REVISIONS					
AJ	16	P	LTR	DESCRIPTION	DATE	DWN	APVD
		N1		REVISION PER ECO-09-023702	24NOV2009	KF	KW



DIELECTRIC COLOR	"A"	WIRE SIZE	CONNECTOR PIN	WEIGHT
YELLOW	.040 .045	22-20	2-329009-1	.040 OZ
NATURAL	.030 .035	26-22	329009	.039 OZ

QTY	DESCRIPTION	PART NO.	MATERIAL & FINISH
1	BUSHING	329058	POLYETHYLENE: (MIL-P-22748) TYPE I COLOR: NATURAL
1	FERRULE	329041	COPPER (QQ-C-576) SILVER PL (QQ-S-365) .0002 MIN THK
1	FERRULE	329056	COPPER (QQ-C-576) SILVER PL (QQ-S-365) .0002 MIN THK
1	BUSHING	330576	POLYETHYLENE COLOR: YELLOW
1	RETENTION SPRING	329042	BERYLLIUM COPPER (QQ-C-533) TIN PL (MIL-T-10727)
1	CONNECTOR PIN	2-329009-1	DIELECTRIC: POLYPROPYLENE (MIL-T-3803) COLOR: TABLE II SHELL: BRASS (MIL-C-50) GOLD PL (MIL-G-45204) TYPE II .00003 MIN THK OVER NICKEL PL (QQ-N-290) .00003 MIN THK.
1	CONNECTOR PIN	329009	CONTACT: BRONZE (ASTM-B140) GOLD PL (MIL-G-5204) TYPE II .00003 MIN THK OVER NICKEL PL (QQ-N-290) .00003 MIN THK.

QTY	DESCRIPTION	PART NO.	MATERIAL & FINISH
2-329009-6	BUSHING	329053	POLYETHYLENE (MIL-P-22748) TYPE I COLOR: NATURAL
2-329009-5	FERRULE	329041	COPPER (QQ-C-576) SILVER PL (QQ-S-365) .0002 MIN THK
2-329009-3	FERRULE	329056	COPPER (QQ-C-576) SILVER PL (QQ-S-365) .0002 MIN THK
2-329009-1	RETENTION SPRING	329042	BERYLLIUM COPPER (QQ-C-533) TIN PL (MIL-T-10727)
2-329009-1	CONNECTOR PIN	2-329009-1	DIELECTRIC: POLYPROPYLENE (MIL-T-3803) COLOR: TABLE II SHELL: BRASS (MIL-C-50) GOLD PL (MIL-G-45204) TYPE II .00003 MIN THK OVER NICKEL PL (QQ-N-290) .00003 MIN THK.
2-329009-1	CONNECTOR PIN	329009	CONTACT: BRONZE (ASTM-B140) GOLD PL (MIL-G-5204) TYPE II .00003 MIN THK OVER NICKEL PL (QQ-N-290) .00003 MIN THK.

2-329009-6	2-329009-5	2-329009-3	2-329009-1	329009	THIS DRAWING IS A CONTROLLED DOCUMENT.	DWN C. LAUBACH 04OCT2005	Tyco Electronics Corporation Harrisburg, Pa 17105-3608
					DIMENSIONS: INCHES	CHK G. MICHAEL 10-13-05	Tyco Electronics
					TOLERANCES UNLESS OTHERWISE SPECIFIED:	APVD G. MICHAEL 10-13-05	
					0 PLC ± -	PRODUCT SPEC	COAXICON CONNECTOR TWIN COAXIAL PLUG ASSEMBLY
					1 PLC ± -	APPLICATION SPEC	
					2 PLC ± -	WEIGHT	SIZE
					3 PLC ± .008	SCALE	CAGE CODE
					4 PLC ± -	SCALE	DRAWING NO
					ANGLES ± 5°	SCALE	RESTRICTED TO
					FINISH	WEIGHT	SCALE
					SEE TABLE 1	WEIGHT	SCALE
						CUSTOMER DRAWING	SCALE
						SCALE	SHEET
						SCALE	OF
						SCALE	REV
						SCALE	REV