

REV.	DATE	DESCRIPTION
01	Sep. 11, '17	1st RELEASE

- NOTES:
- MATERIAL:**  
 HOUSING: LCP+30%G.F, UL94V-0  
 CONTACT: COPPER ALLOY, 15 $\mu$ " GOLD PLATING  
 SHELL: T=0.30mm STAINLESS STEEL,  
 UNDERPLATED NICKEL ON ALL AREA  
 SHIELD: T=0.15mm STAINLESS STEEL
  - ELECTRICAL:**  
 RATING CURRENT: 3A MIN. FOR VBUS  
 0.25A MIN. FOR OTHER  
 CONTACT RESISTANCE: 40m $\Omega$  MAX.  
 INSULATION RESISTANCE: 100M $\Omega$  MIN. 250V DC  
 WITHSTANDING VOLTAGE: 100 AC  
 SOLDER CONDITION: 250 $\pm$ 5 $^{\circ}$ C 10 $\pm$ 0.5 SECS  
 OPERATING TEMPERATURE: -55 $^{\circ}$ C TO +85 $^{\circ}$ C
  - MECHANICAL:**  
 INSERTION FORCE: 2.00kgf MAX.  
 EXTRACTION FORCE: 0.80kgf MIN.  
 DURABILITY: 10,000 MATING CYCLES
  - UNSPECIFIED TOLERANCE:** .XX  $\pm$ 0.20  
 .X  $\pm$ 0.30

KUSB-CD42-112

- C: USB TYPE C
- D: TOP MOUNT SMT
- PIN PLATING  
2: 24PIN, Au 15 $\mu$ "
- PACKING  
2: TAPE/ REEL
- SHELL MATERIAL  
1: STAINLESS
- PIN LENGTH  
1: 0 (SMT TYPE)

PART NO		KUSB-CD42-112		
TITLE	USB TYPE-C TOP MOUNT SMT, 24PIN			
REV : 01				
UNIT	DRAWN	CHKD	DATE	SHEET
mm[inch]	CINDY	DANIEL	Sep. 11, '17	1 of 2

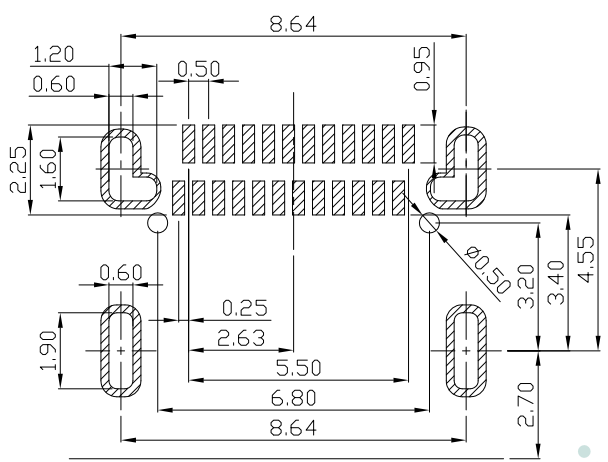
DWG NO KUSB-CD42-112

KinnexA, INC. 8F, No. 172, CHENG TEH ROAD SEC. 4, TAIPEI 11167, TAIWAN



**PRELIMINARY RELEASE SUBJECT TO CHANGE**

※ THIS DRAWING IS A CONTROLLED DOCUMENT ※



RECOMMENDED P.C.B. LAYOUT  
TOLERANCE UNSPECIFIED ±0.05mm

A1	GND	B12	GND
A2	SSTXP1	B11	SSRXP1
A3	SSTXN1	B10	SSRXN1
A4	VBUS	B9	VBUS
A5	CC1	B8	SBU2
A6	DP1	B7	DN2
A7	DN1	B6	DP2
A8	SBU1	B5	CC2
A9	VBUS	B4	VBUS
A10	SSRXN2	B3	SSTXN2
A11	SSRXP2	B2	SSTXP2
A12	GND	B1	GND
PIN	SIGNAL NAME	PIN	SIGNAL NAME

PART NO		KUSB-CD42-112		
TITLE		USB TYPE-C TOP MOUNT SMT, 24PIN		
REV : 01				
UNIT	DRAWN	CHKD	DATE	SHEET
mm[inch]	CINDY	DANIEL	Sep. 11, '17	2 of 2