

SPECIFICATIONS SHEET

PRODUCT TYPE : MECHANICAL BUZZER

PRODUCT SERIES : BS2620PH-06-C

DESCRIPTION : MC BUZZER SINGLE 6VDC ABS RoHS SP

**1) 5mm PL 2) GOLD PLATE 3) ADD LABEL MARKING "INTERVOX"
"BS2620PH-06-C" & "DATE CODE"**

COLOR : IVORY

ELECTRICAL SPECIFICATIONS

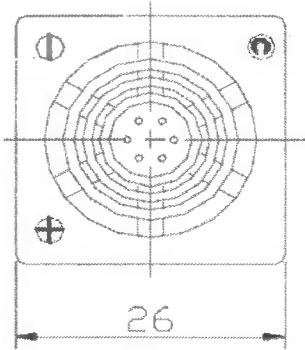
MODEL NO.		BS2620PH-06-C
OPERATING VOLTAGE RANGE	(VDC)	4.0 ~ 8.0
RATED VOLTAGE	(VDC)	6.0
* MAX. RATED CURRENT	(mA)	50.0
* MIN. SOUND OUTPUT	(dBA/ 100 cm)	75.0
* FREQUENCY	(Hz)	400 ± 100
TONE NATURE		SINGLE
OPERATING TEMPERATURE	(° C)	- 20.0 ~ + 60.0
STORAGE TEMPERATURE	(° C)	- 30.0 ~ + 70.0
TERMINAL		PIN
HOUSING MATERIAL		ABS
WEIGHT	(g)	17.0

* Value applying at rated voltage

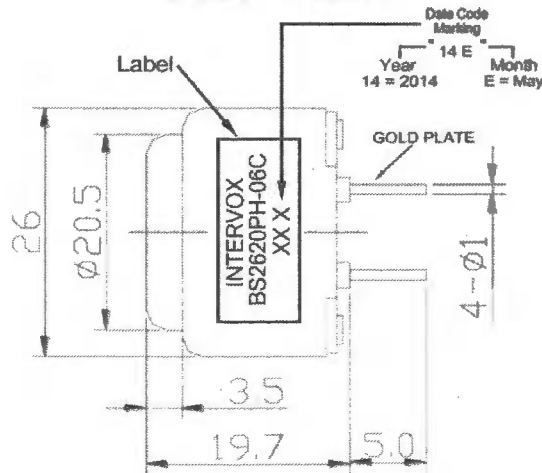
DIMENSIONS

UNIT : mm Tolerance : ± 0.5 mm

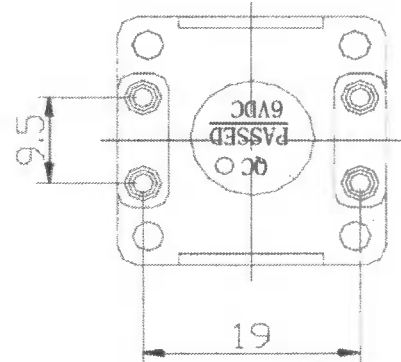
TOP VIEW



SIDE VIEW



BOTTOM VIEW



Approved By : FG
Date : 14-May-2014

Prepared By : G16
Date : 14-May-2014

Modify :	Date :	By :