

- > precision pliers for ultra fine cutting work, e.g. in electronics and fine mechanics
- > electrically discharging handles – dissipative
- > precision box-joint
- > low-friction double spring for gentle and even opening
- > the mirror polish and a fine film of oil offers effective rust protection – no circuit faults caused by peeling chrome from plated tools
- > cutting edge hardness (at least 60 HRC)
- > with two-color dual component handles, black/grey
- > ball bearing chrome steel

Style 1
End Cutter, with small bevel

Style 3
Oblique End Cutter, short head, with small bevel, 15° angle

Style 6
Oblique End Cutter, mini-blade with small bevel, 65° angle



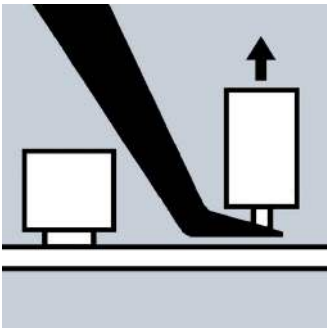
64 12 115 ESD



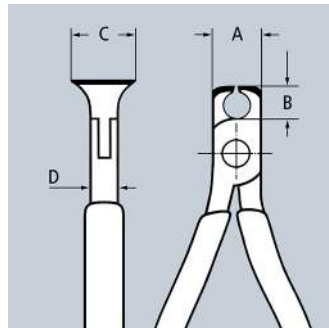
64 32 120 ESD



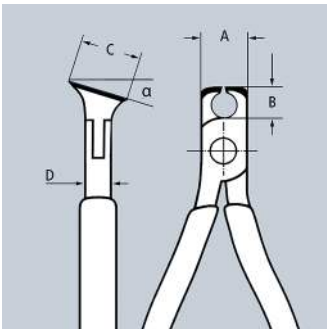
64 62 120 ESD



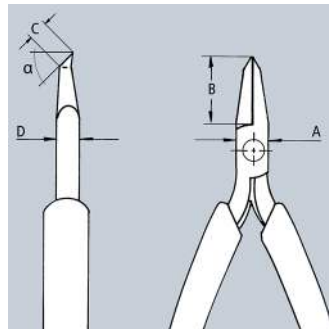
64 62 120 ESD



64 12 115 ESD



64 32 120 ESD



64 62 120 ESD

ESD Pliers (electrostatic discharge)

Electrostatic energy is discharged through the handles in a gradual and controlled manner which protects components endangered by electrostatic discharge in accordance with applicable standards, e.g. IEC TR 61 340-5, DIN EN 61 340-5, SP Method 2472



Product Number	Packaging	↔ Inch mm		Head	Handles	Style	Cutting capacities			Dimensions				⚖ lbs
							∅ Inch ∅ mm	∅ Inch ∅ mm	∅ Inch ∅ mm	A Inch mm	B Inch mm	C Inch mm	D Inch mm	
64 02 115 ESD		4 1/2 115		mirror polished	ESD multi-component grips	0	5/64 2.0	3/64 1.0	1/64 0.5	7/16 11.0	15/64 6.0	5/8 16.0	19/64 7.5	0.21
64 12 115 ESD		4 1/2 115		mirror polished	ESD multi-component grips	1	1/16 1.5	3/64 1.0	1/64 0.5	7/16 11.0	15/64 6.0	5/8 16.0	9/32 7.0	0.21
64 32 120 ESD		4 3/4 120		mirror polished	ESD multi-component grips	3	1/16 1.5	3/64 1.0	1/64 0.5	7/16 11.0	25/64 10.0	43/64 17.0	9/32 7.0	0.20
64 62 120 ESD		4 3/4 120		mirror polished	ESD multi-component grips	6	1/64 0.5	-	-	3/8 9.5	47/64 18.5	13/64 5.0	15/64 6.0	0.15