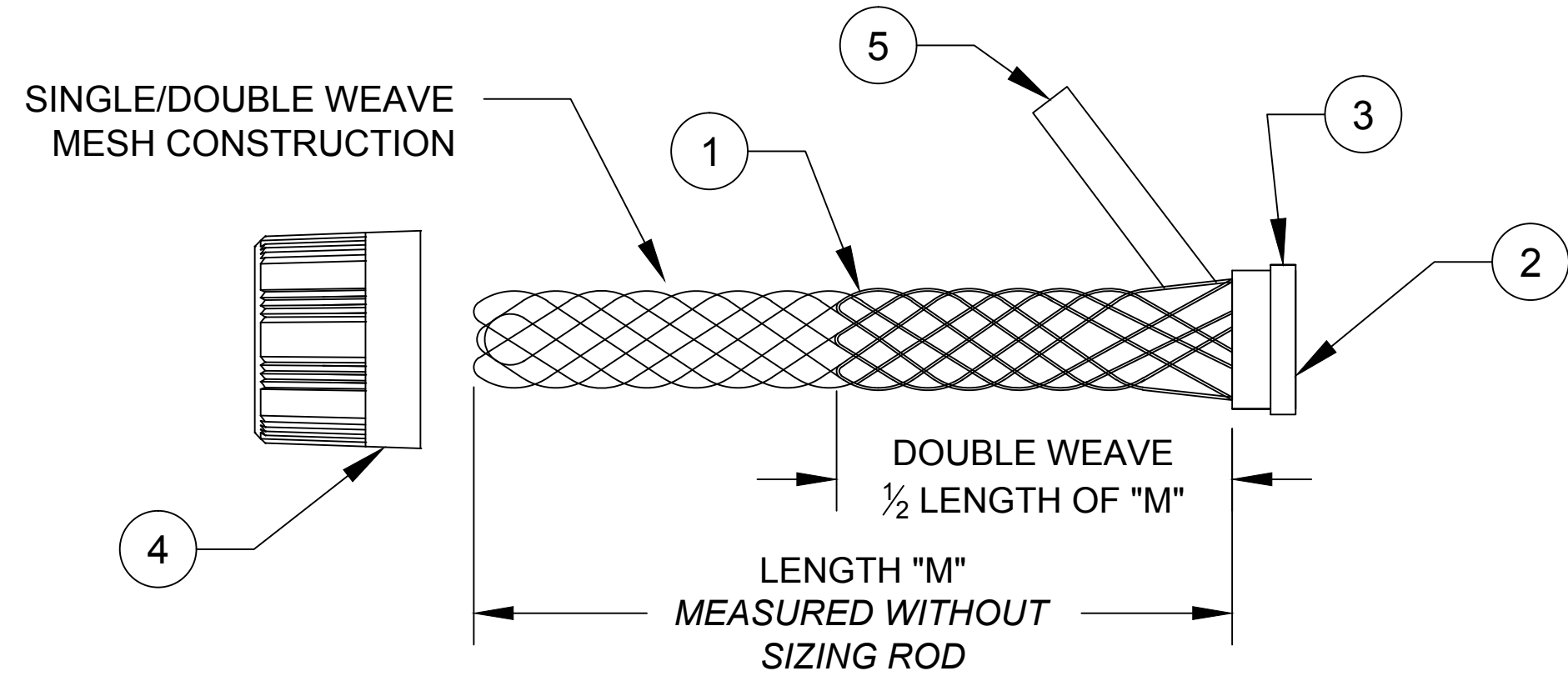
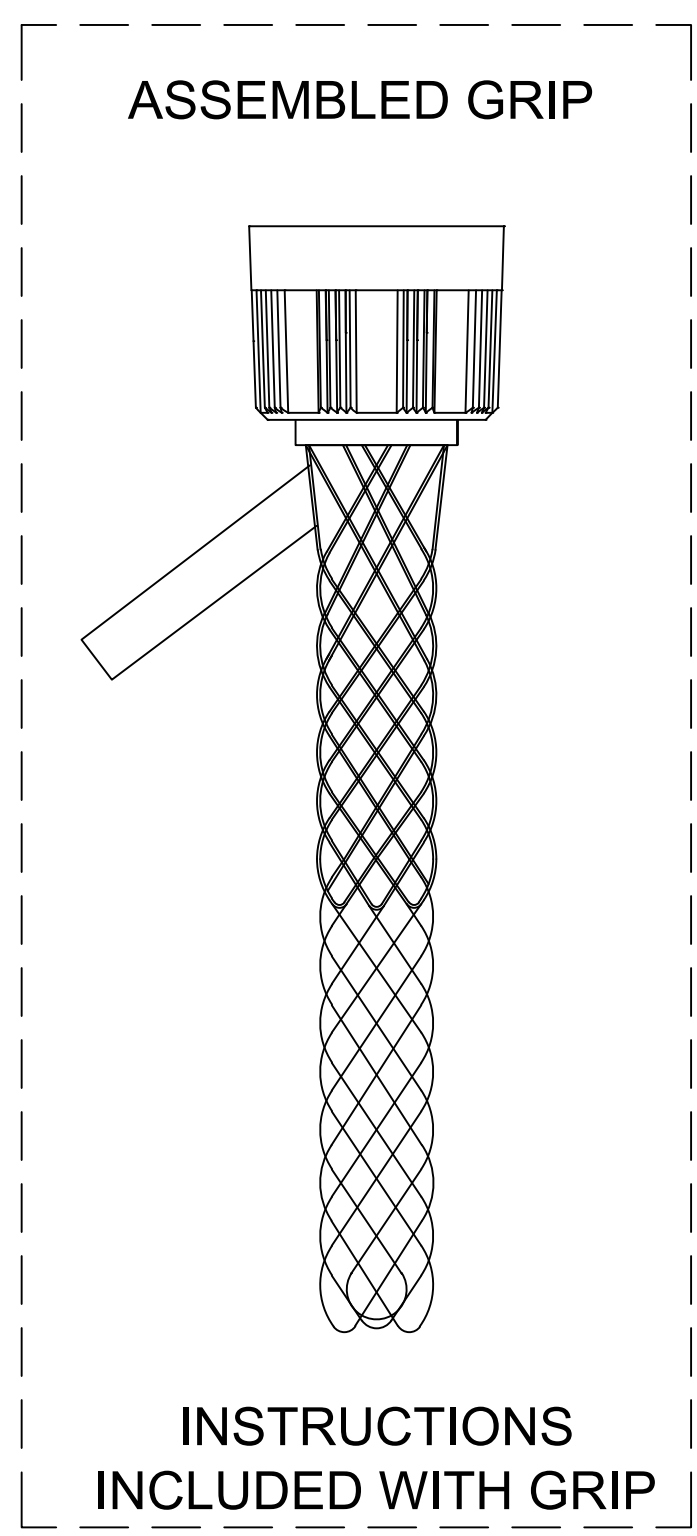


CATALOG NUMBER	MATERIAL NUMBER	CABLE RANGE	LENGTH "M"	N.P.T. FITTING SIZE	FORM SIZE	UL LISTED	CSA APPROVED
5630M	1300990165	.312-.375 / 7.92-9.53	4.50±0.50 / 114.3±12.7	1/2	2	NO	NO
5631M	1300990167	.375-.437 / 9.53-11.10	5.50±0.50 / 139.7±12.7				
5632M	1300990169	.437-.500 / 11.10-12.70	6.50±0.50 / 165.1±12.7				
5647M	1300990189	.500-.562 / 12.70-14.27	6.75±0.50 / 171.5±12.7				
5648M	1300990190	.562-.625 / 14.27-15.88	6.75±0.50 / 171.5±12.7				
5628M	1300990164	.375-.437 / 9.53-11.10	6.00±0.50 / 152.4±12.7	3/4	3	NO	NO
5633M	1300990171	.437-.562 / 11.10-14.27	6.00±0.50 / 152.4±12.7				
5634M	1300990173	.500-.625 / 12.70-15.88	6.75±0.50 / 171.5±12.7				
5635M	1300990175	.562-.687 / 14.27-17.45	9.00±1.00 / 228.6±25.4				
5640M	1300990185	.625-.750 / 15.88-19.05	9.00±1.00 / 228.6±25.4				
5645M	1300990187	.687-.812 / 17.45-20.62	9.50±1.00 / 241.3±25.4	1	4	NO	NO
5636M	1300990177	.562-.687 / 14.27-17.45	9.00±1.00 / 228.6±25.4				
5637M	1300990179	.625-.750 / 15.88-19.05	9.50±1.00 / 241.3±25.4				
5638M	1300990181	.750-.875 / 19.05-22.23	9.50±1.00 / 241.3±25.4				
5646M	1300990188	.812-.937 / 20.62-23.80	8.75±1.00 / 222.3±25.4				
5639M	1300990183	.875-1.000 / 22.23-25.40	8.75±1.00 / 222.3±25.4	1 1/4	5	NO	NO
5590M	1300990138	.875-1.000 / 22.23-25.40	9.00±1.00 / 228.6±25.4				
5591M	1300990139	1.000-1.125 / 25.40-28.58	9.50±1.00 / 241.3±25.4				
5592M	1300990140	1.125-1.250 / 28.58-31.75	9.50±1.00 / 241.3±25.4				



ITEM	DESCRIPTION	MATERIAL
1	WIRE MESH	STAINLESS STEEL
2	INNER RING	STAINLESS STEEL
3	OUTER RING	STAINLESS STEEL
4	COMPRESSION NUT	NYLON (YELLOW)
5	LABEL	MYLAR

RELEASE SALES DWG EC NO: IFCG2014-2068 DRWN: HRUIZ01 2014/10/01 CHKD: HKNEELAN 2014/10/01 APPR: JFMURPHY 2014/11/18	QUALITY SYMBOL	GENERAL TOLERANCES (UNLESS SPECIFIED)	DIMENSION STYLE INCH/MM	SCALE NTS	DESIGN UNITS INCH	THIRD ANGLE PROJECTION	
	▽=0 ∇=0	4 PLACES ±--- ±---	mm INCH	HRUIZ01 2014/10/01	INCH	STRAIN RELIEF WATERTITE CORD GRIP METALLIC MESH	
		3 PLACES ±--- ±.005		CHECKED BY DATE			
		2 PLACES ±.13 ±.010		HKNEELAN 2014/10/01		MOLEX INCORPORATED	SHEET NO. 1 OF 1
		1 PLACE ±.25 ±.020		APPROVED BY DATE			
A	REV	ANGULAR ±1/2°	JFMURPHY 2014/11/18		DOCUMENT NO. SD-130099-007		
		DRAFT WHERE APPLICABLE MUST REMAIN WITHIN DIMENSIONS	SEE TABLE				
			SIZE C	THIS DRAWING CONTAINS INFORMATION THAT IS PROPRIETARY TO MOLEX INCORPORATED AND SHOULD NOT BE USED WITHOUT WRITTEN PERMISSION			