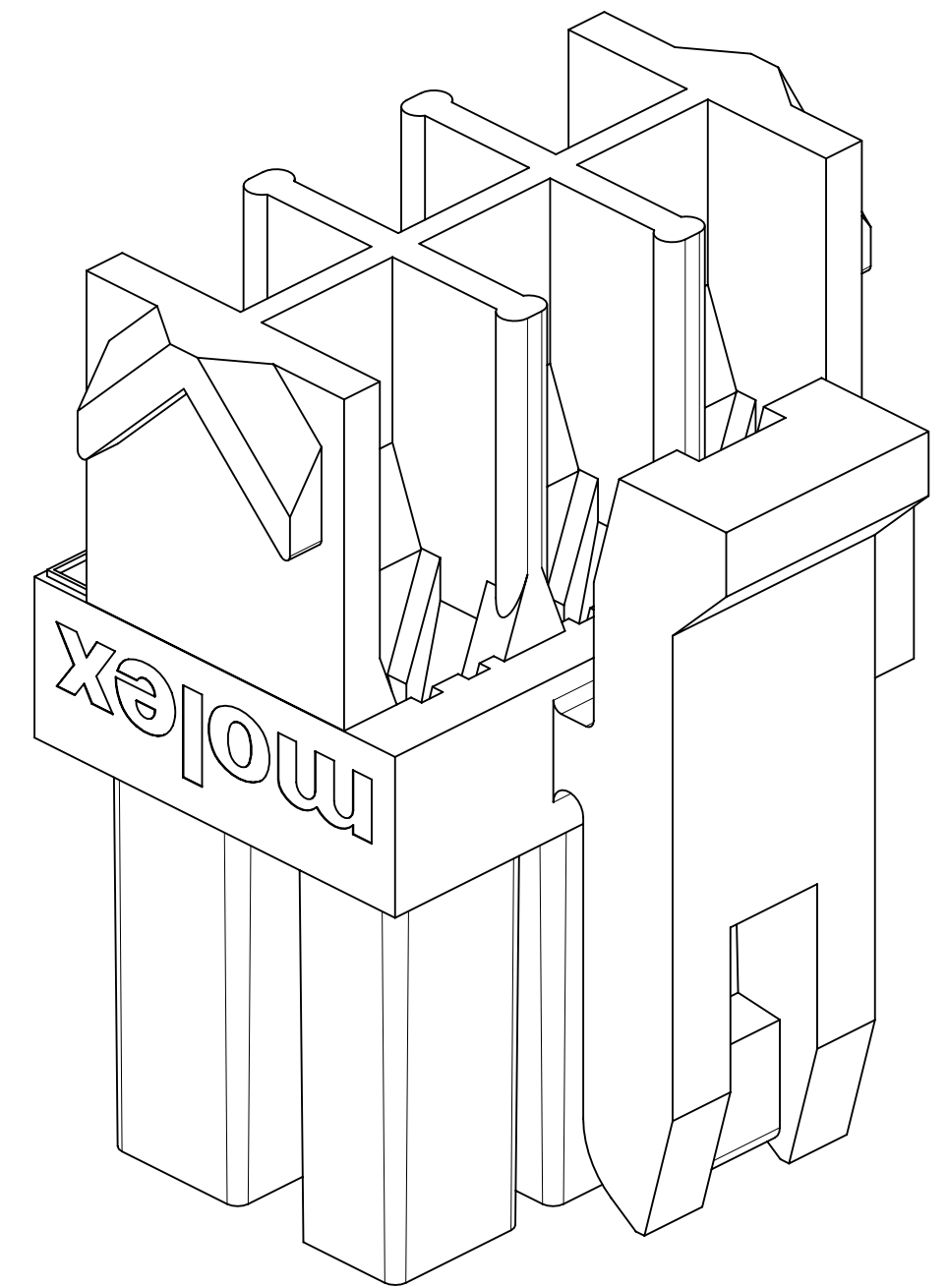


NOTES:

- 1) MATERIAL: UNFILLED NYLON, RATED UL94V-2, IEC60335-1 GLOW WIRE CAPABLE, COLOR: BLACK
- 2) FINISH: NONE
- 3) PRODUCT SPECIFICATION: PS-43045
- 4) PACKAGING SPECIFICATION: BULK PER 1729520001-PK
- 5) MATES WITH: MOLEX 43020 PLUGS, 203632 TPA PLUGS AND 43045 HEADERS
- 6) FOR USE WITH: 43030 AND 46235 (LOW FORCE) MOLEX FEMALE TERMINALS
- 7) HOUSING IS DESIGNED FOR USE WITH 172953-XX02 TPA. NEVER USE WITHOUT TPA.
- 8) THIS PART CONFORMS TO CLASS B REQUIREMENTS OF COSMETIC SPEC PS-45499-002
- 9) PARTS MAY HAVE A BLEMISH NEAR THE GATE THAT DOES NOT AFFECT FUNCTIONALITY
- 10) TERMINALS IN THE LOWER ROW ARE INSERTED 180° FROM THE UPPER ROW
- 11) SEE SECTION A-A FOR PROPER ORIENTATION
- 12) LAST CIRCUIT NUMBER OF THE CONNECTOR. NOT APPLICABLE TO 4 CIRCUIT.
- 13) REF 430250000-AS FOR OVERMOLDING PARAMETERS
- 14) TO BE MEASURED APPROXIMATELY 1.52/.060 FROM [E] SURFACE
- 15) TO BE MEASURED ON [C] SURFACE
- 16) MOLEX RECOMMENDS THE USE OF MICRO-FIT TEST PLUG SERIES 44242 FOR ALL TESTING. TEST PLUGS MUST NOT BE MATED OR UNMATED UNDER LOAD. DO NOT USE STANDARD MATING COMPONENTS FOR TEST PURPOSES.
- 17) TEXT ON PART IS FOR REFERENCE ONLY. TEXT AND TEXT LOCATION MAY VARY DEPENDING ON PART NUMBER AND/OR TOOL.
- 18) INTENDED FOR USE WITH 20-30 AWG WIRES ONLY



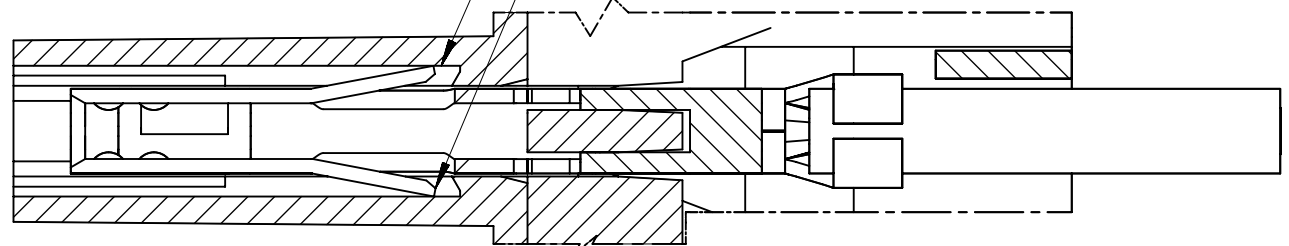
172952-0602 SHOWN

NEVER USE WITHOUT TPA.

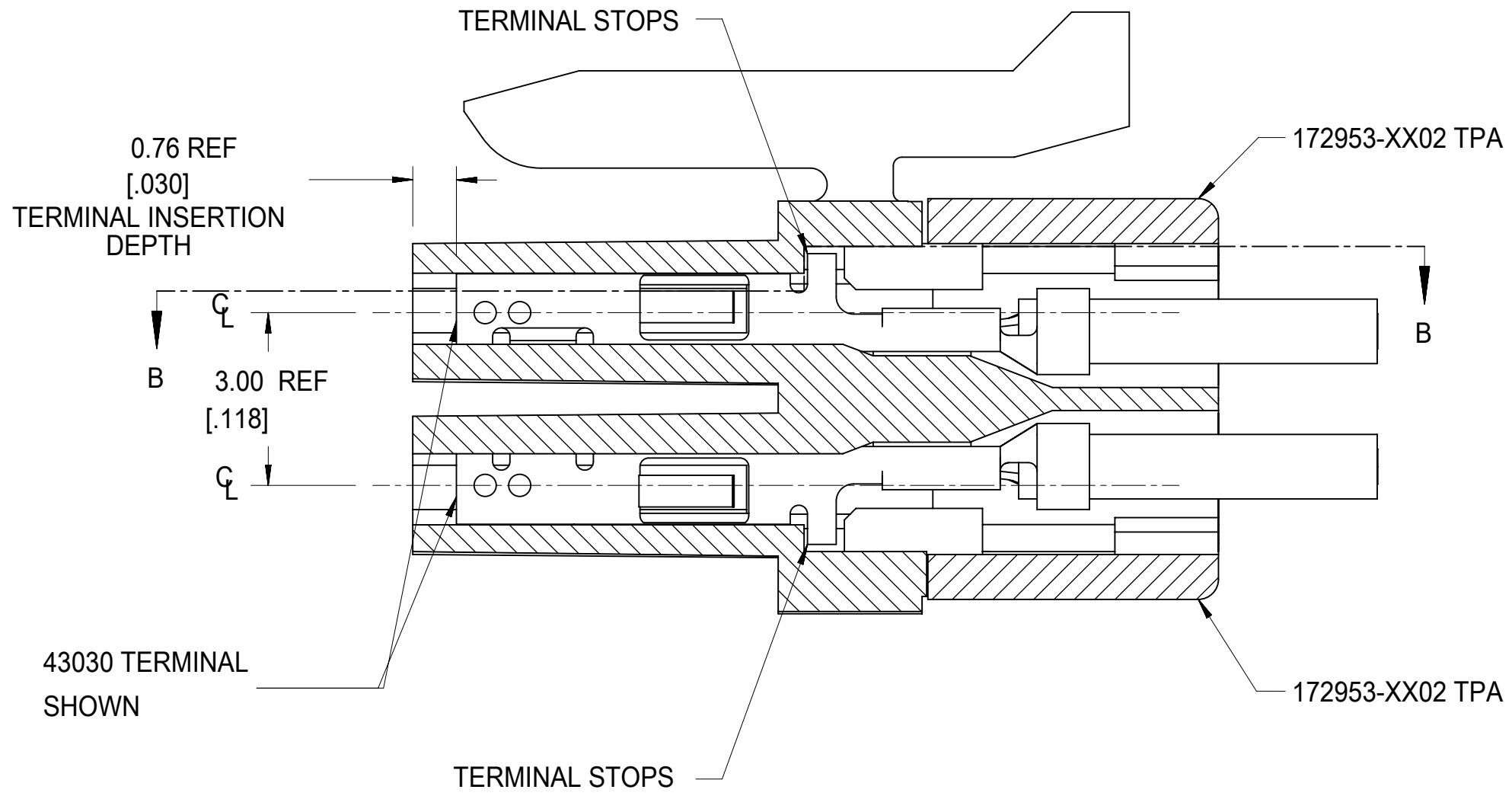
SCALE 10:1

FUNCTIONAL SYMBOLS	THIS DRAWING CONTAINS INFORMATION THAT IS PROPRIETARY TO MOLEX ELECTRONIC TECHNOLOGIES, LLC AND SHOULD NOT BE USED WITHOUT WRITTEN PERMISSION			
	DIMENSION UNITS	SCALE	CURRENT REV DESC: ADD NOTE 17	
$\frac{E}{A} = 0$	MM/INCH	5:1		
$\frac{E}{C} = 0$	GENERAL TOLERANCES (UNLESS SPECIFIED)			
$\frac{E}{P} = 0$		MM	INCH	
DIVISIONAL SYMBOLS	4 PLACES	±	±	
	3 PLACES	±	± 0.01	
	2 PLACES	± 0.25	± 0.015	
	1 PLACE	± 0.38	±	
	0 PLACES	±	±	
	ANGULAR TOL	± 0.5 °		
DRAFT WHERE APPLICABLE MUST REMAIN WITHIN DIMENSIONS		THIRD ANGLE PROJECTION	DRAWING	SERIES
			C-SIZE	172952
DOCUMENT STATUS		P1	RELEASE DATE	2022/10/13 13:32:56
DOCUMENT NUMBER		CUSTOMER		SHEET NUMBER
SD-172952-002		GENERAL MARKET		1 OF 3

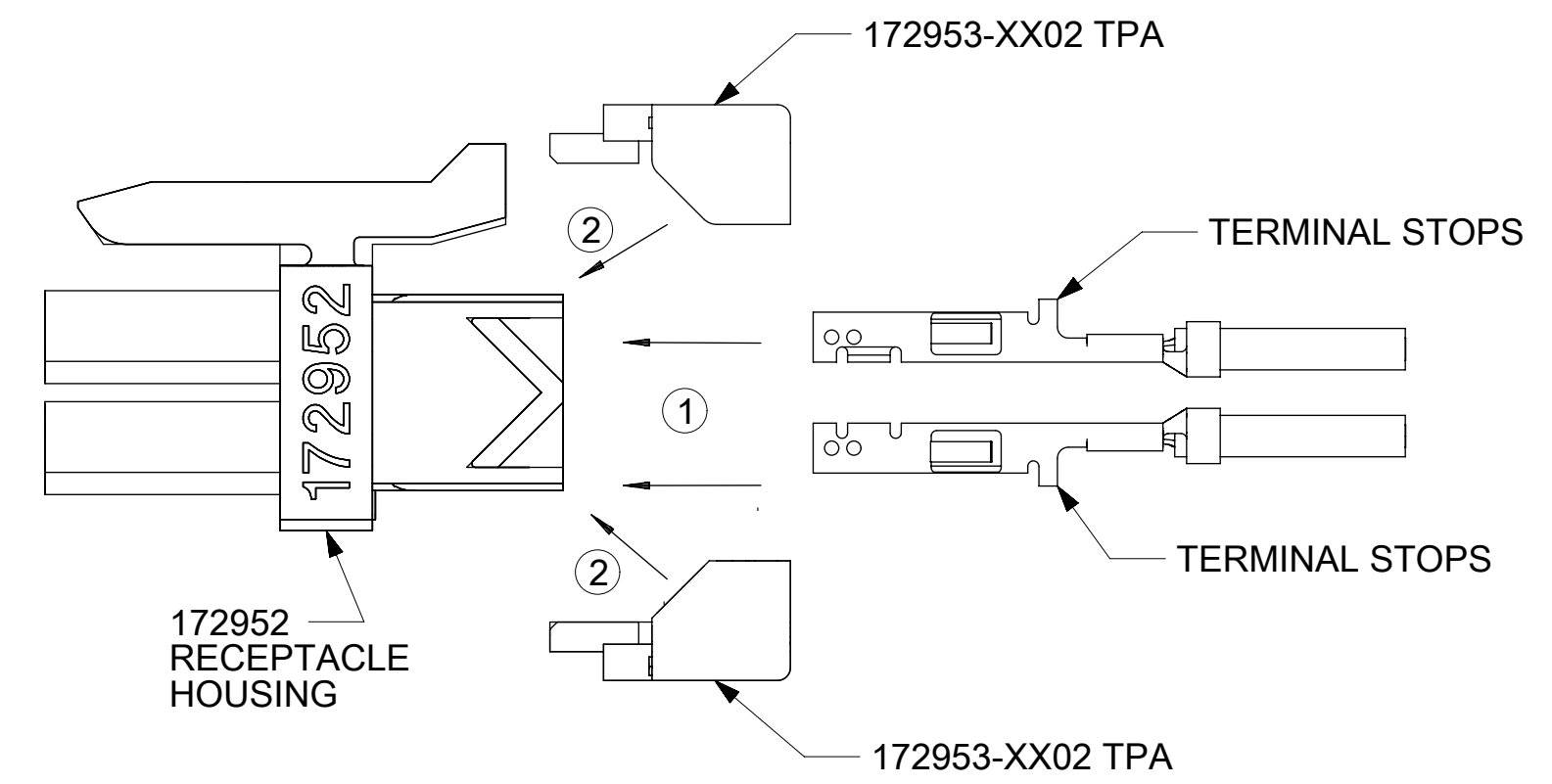
TERMINAL LOCKING TABS MUST BE FULLY SEATED TO HOUSING BEFORE MATING WITH OTHER HALF OF CONNECTOR SYSTEM



Partial B-B  
SCALE 10:1



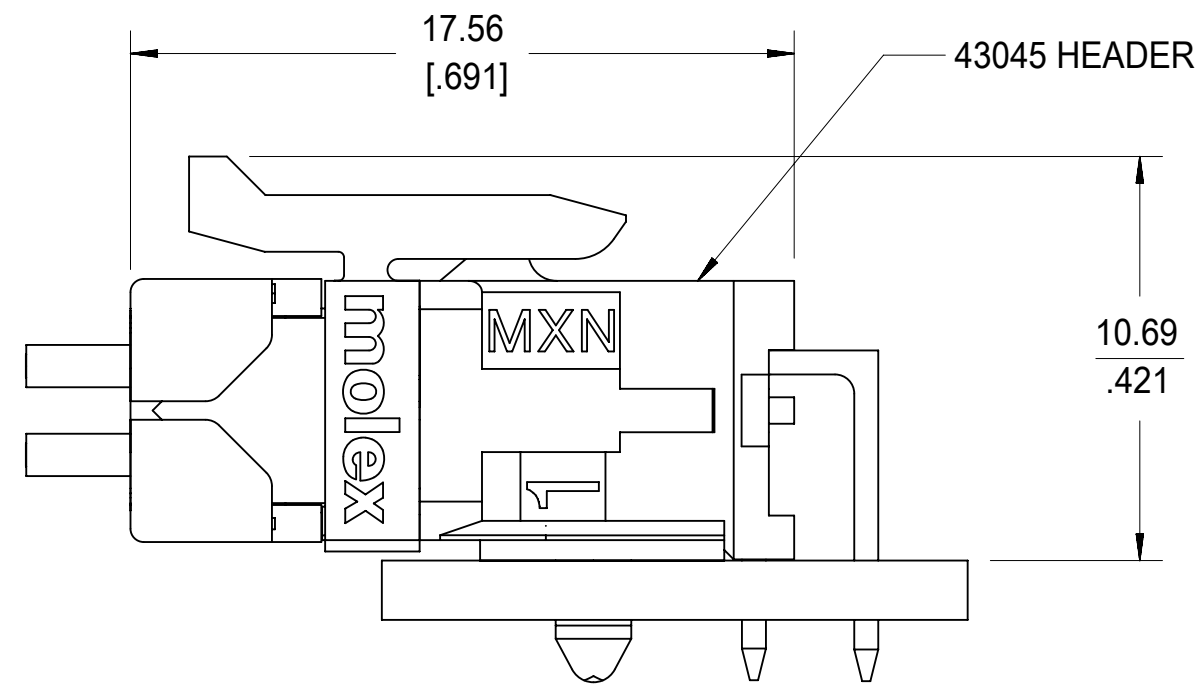
SECTION A-A  
(WITH TERMINALS AND TPAs)  
SCALE 10:1



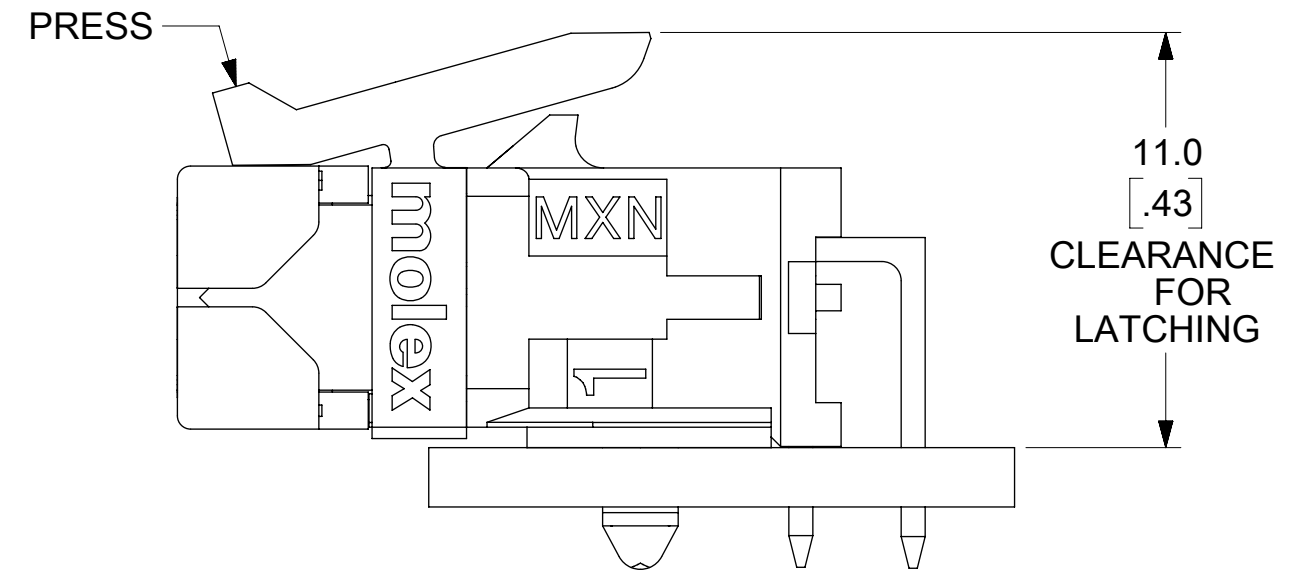
TERMINAL AND TPA ORIENTATION AND ASSEMBLY NEVER USE WITHOUT TPA.

24	172952-2402	33.00 / 1.299	36.85 / 1.451
22	172952-2202	30.00 / 1.181	33.85 / 1.333
20	172952-2002	27.00 / 1.063	30.85 / 1.215
18	172952-1802	24.00 / .945	27.85 / 1.096
16	172952-1602	21.00 / .827	24.85 / .978
14	172952-1402	18.00 / .709	21.85 / .860
12	172952-1202	15.00 / .591	18.85 / .742
10	172952-1002	12.00 / .472	15.85 / .624
8	172952-0802	9.00 / .354	12.85 / .506
6	172952-0602	6.00 / .236	9.85 / .388
4	172952-0402	3.00 / .118	6.85 / .270
CKT SIZE	PART NUMBER	DIM A	DIM B

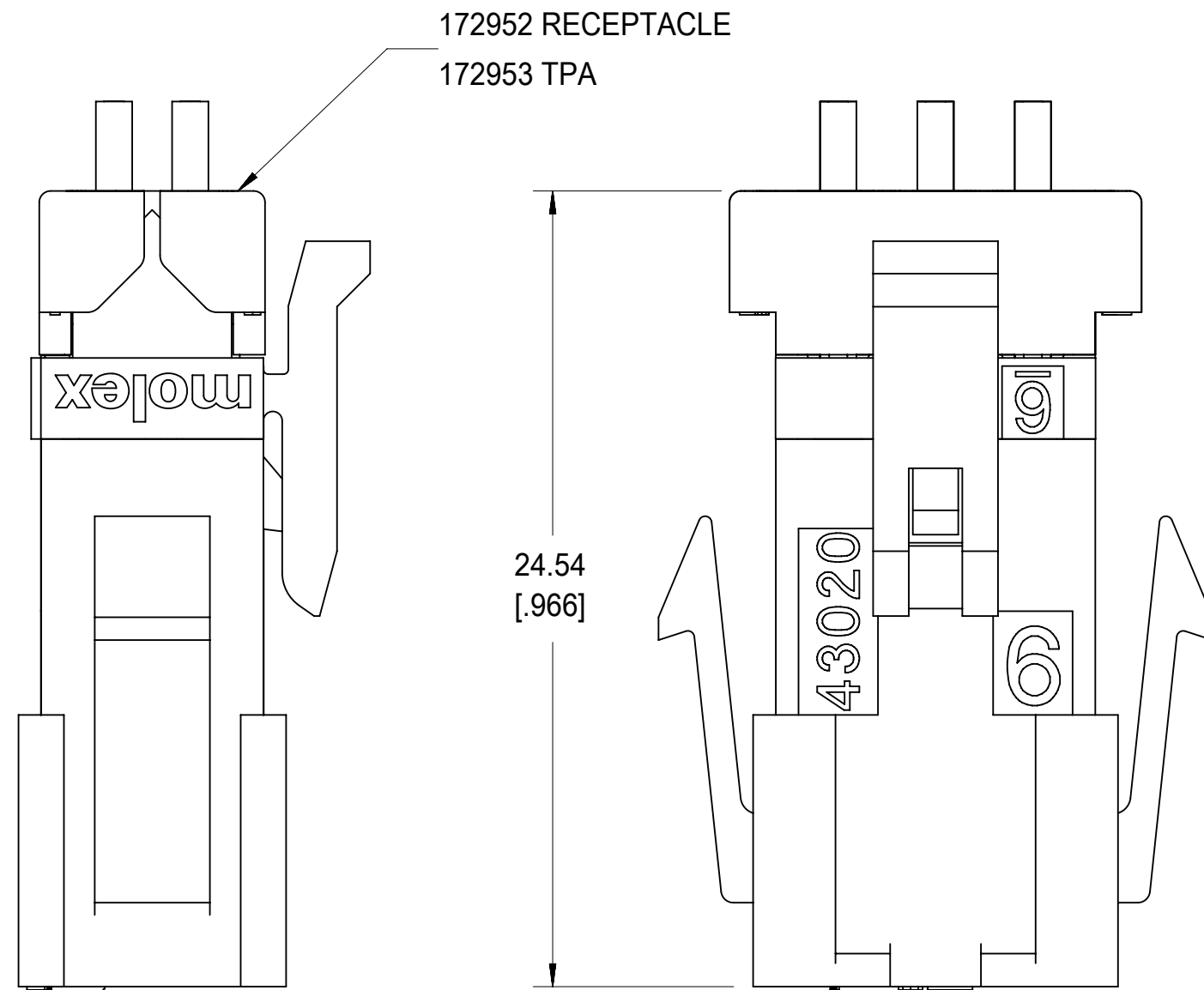
FUNCTIONAL SYMBOLS FA = 0 FC = 0 FP = 0	THIS DRAWING CONTAINS INFORMATION THAT IS PROPRIETARY TO MOLEX ELECTRONIC TECHNOLOGIES, LLC AND SHOULD NOT BE USED WITHOUT WRITTEN PERMISSION				CURRENT REV DESC: ADD NOTE 17														
	DIMENSION UNITS <b>MM/INCH</b>		SCALE <b>5:1</b>		GENERAL TOLERANCES (UNLESS SPECIFIED)								EC NO: 723726 DRWN: MKIPPER CHK'D: MKIPPER APPR: FSMITH						
	4 PLACES ±		MM INCH		2022/02/25		2022/10/12		2022/10/13		PRODUCT CUSTOMER DRAWING								
	3 PLACES ±		± 0.01		2016/02/23		2016/03/24		2016/03/24		DOCUMENT NUMBER <b>SD-172952-002</b>		DOC TYPE PSD		DOC PART 001		REVISION <b>C1</b>		
2 PLACES ±		0.25 ± 0.015		DRWN: MCOLE		APPR: BPISZCZOR		THIRD ANGLE PROJECTION		DRAWING C-SIZE		SERIES 172952		MATERIAL NUMBER SEE CHART		CUSTOMER GENERAL MARKET		SHEET NUMBER 2 OF 3	
1 PLACE ±		0.38 ±		DRAFT WHERE APPLICABLE MUST REMAIN WITHIN DIMENSIONS															



MATED MICRO-FIT CONNECTOR (WITH TPA INSTALLED)

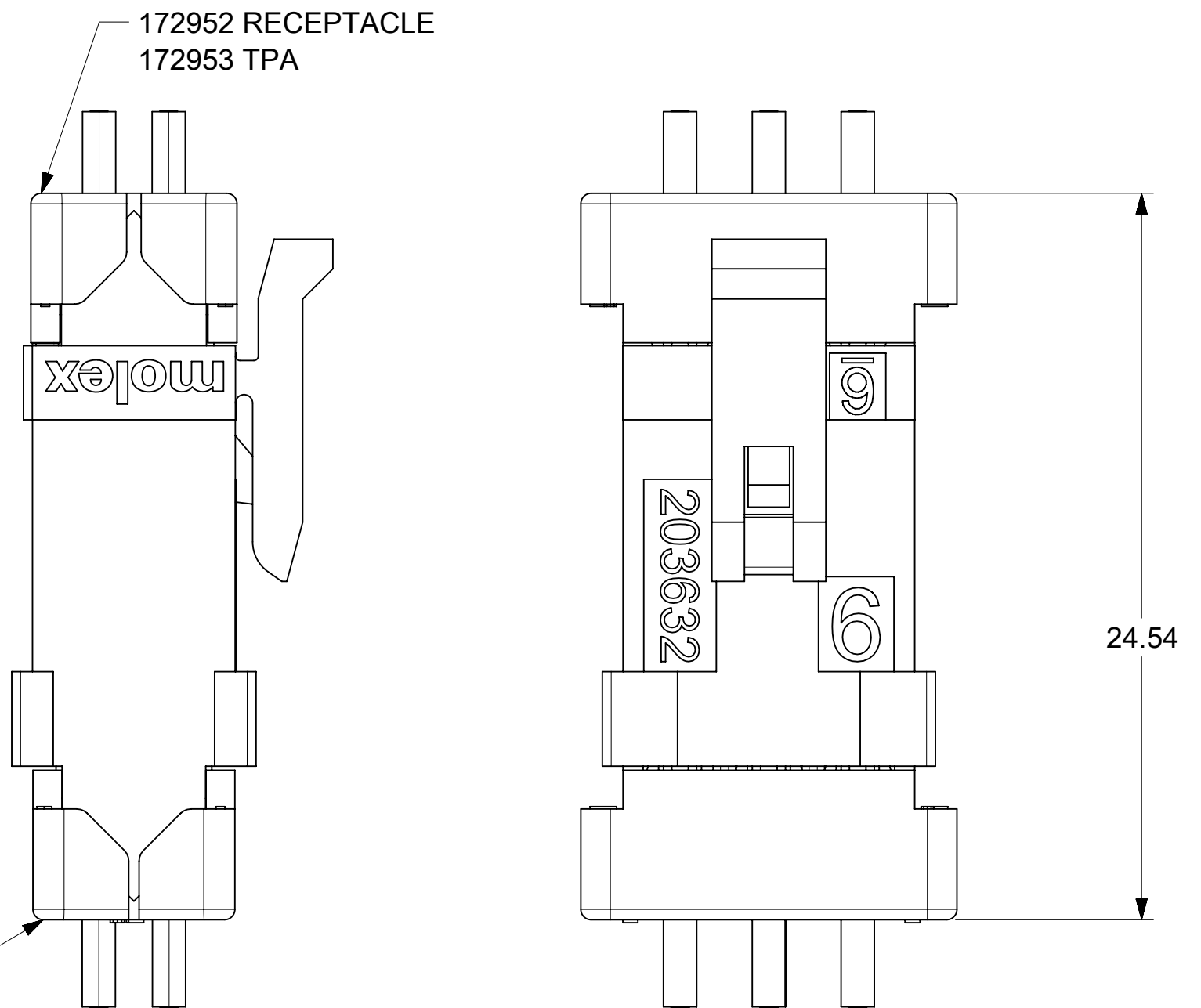


MATED MICRO-FIT CONNECTOR (WITH TPA INSTALLED)



MATED MICRO-FIT CONNECTOR (WITH TPA INSTALLED)

43020 PLUG HOUSING



MATED MICRO-FIT CONNECTOR (WITH TPA INSTALLED)

203632 PLUG  
172953 TPA

FUNCTIONAL SYMBOLS	THIS DRAWING CONTAINS INFORMATION THAT IS PROPRIETARY TO MOLEX ELECTRONIC TECHNOLOGIES, LLC AND SHOULD NOT BE USED WITHOUT WRITTEN PERMISSION																
	DIMENSION UNITS		SCALE		CURRENT REV DESC: ADD NOTE 17												
	MM/INCH		5:1		<p>EC NO: 723726  DRWN: MKIPPER 2022/02/25  CHK'D: MKIPPER 2022/10/12  APPR: FSMITH 2022/10/13</p>												
	GENERAL TOLERANCES (UNLESS SPECIFIED)																
DIVISIONAL SYMBOLS	4 PLACES		±	±	<p>INITIAL REVISION:  DRWN: MCOLE 2016/02/23  APPR: BPISZCZOR 2016/03/24</p>												
	3 PLACES		±	± 0.01													
	2 PLACES		± 0.25	± 0.015													
	1 PLACE		± 0.38	±													
0 PLACES		±	±	ANGULAR TOL ± 0.5 °		THIRD ANGLE PROJECTION		DRAWING SERIES		DOCUMENT NUMBER		DOC TYPE		DOC PART		REVISION	
DRAFT WHERE APPLICABLE MUST REMAIN WITHIN DIMENSIONS				C-SIZE		172952		SEE CHART		GENERAL MARKET		SD-172952-002		PSD 001		C1	

**molex**

MICROFIT TPA RECEPTACLE GLOW WIRE DUAL-ROW HOUSING

PRODUCT CUSTOMER DRAWING