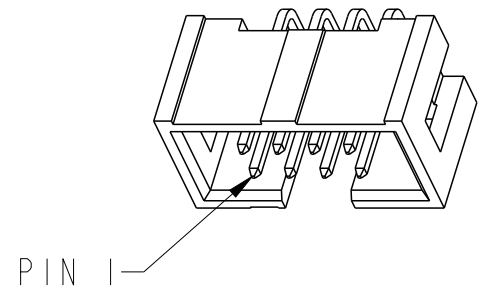
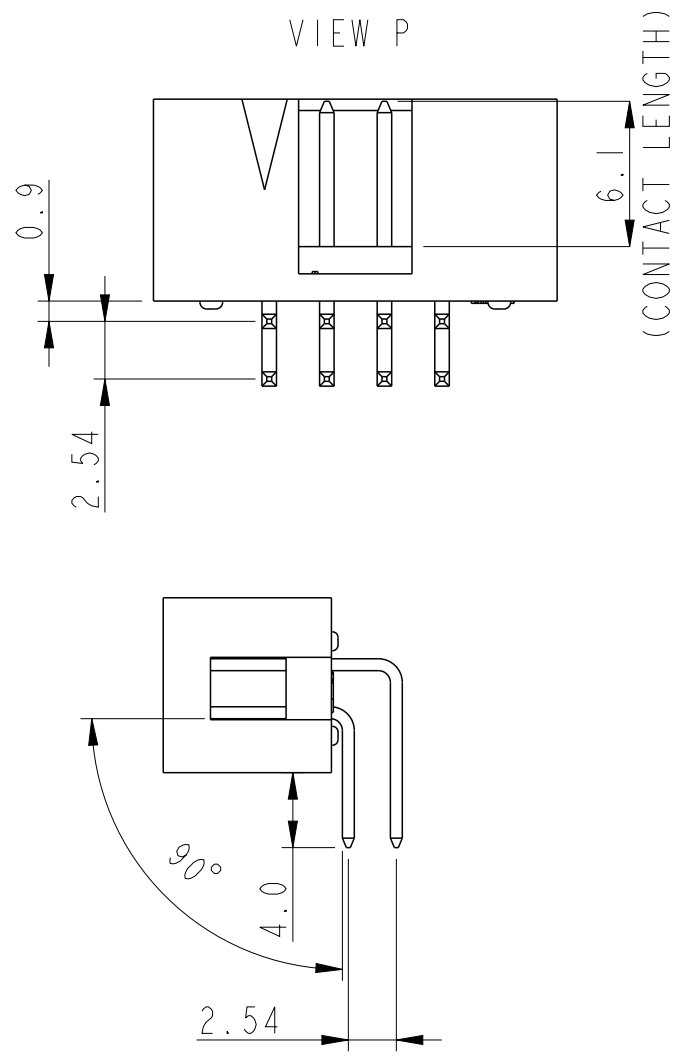
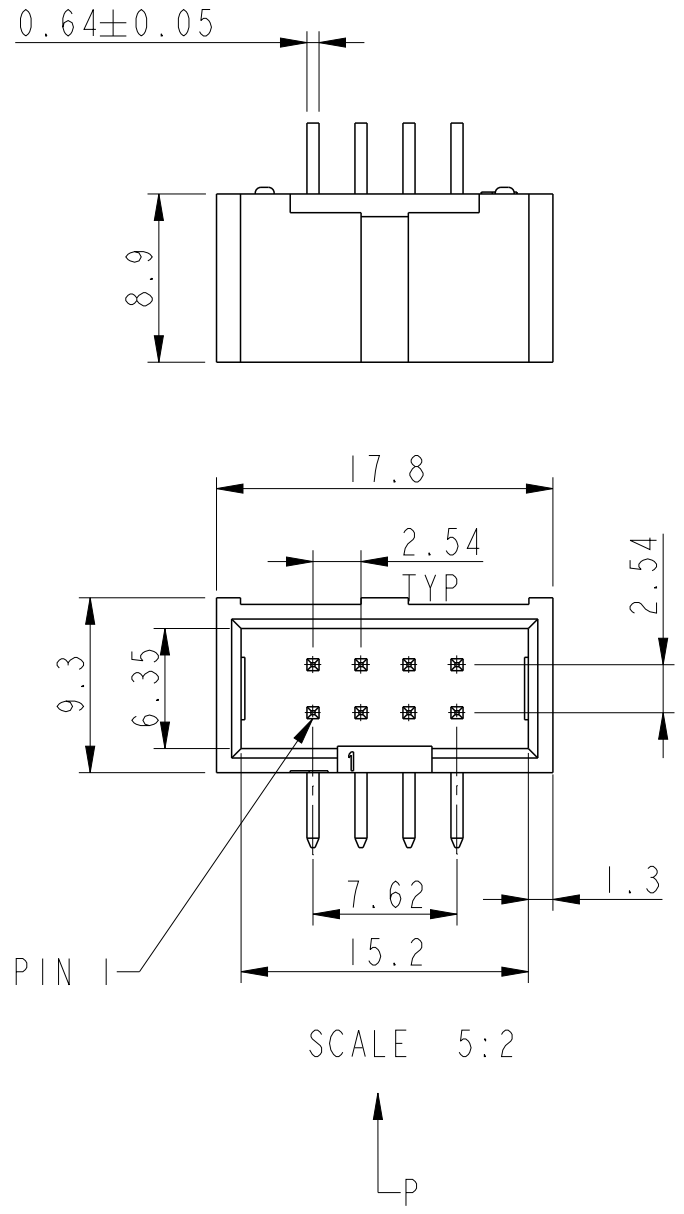


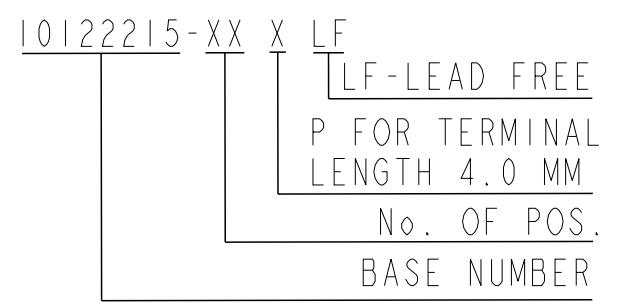
PART NUMBER 10122215-08PLF



TECHNICAL SPECIFICATION

1. HOUSING
MATERIAL : THERMOPLASTIC POLYESTER, BLACK G.F,
UL RATED 94V-0
CONTACT MATERIAL : COPPER ALLOY
2. PLATING:
CONTACT AREA - 0.000010" Au OR EQUIVALENT GXT OVER
0.00005" NICKEL
TERMINAL AREA - 0.0001" BRIGHT ACID TIN OVER
0.00005" NICKEL
3. CURRENT RATING : 3.0 A AT 20°C
4. INSULATION RESISTANCE : >=5000MΩ AT 500VDC
5. DIELECTRIC WITHSTANDING VOLTAGE : 1000Vrms
6. LF IN PART NUMBER MEANS PART IS RoHS COMPLIANT.

PART NUMBER LOGIC



spec ref	-	dr	Gregar Mathew	2014/06/12	projection	mm	size	A3	scale	3:1
tolerance std	ISO 406 ISO 1101	eng	Gregar Mathew	2014/06/12			ecn no	-	rel level	Released
TOLERANCES UNLESS OTHERWISE SPECIFIED		chr	-	-						
surface	ISO 1302	appr	K-Paul Biju	2014/06/12	product family	8613	10122215		rev	A
	linear	0.X	±0.3		R/A HEADER CONNECTOR		8 POSITION TMT		www.fci.com	
		0.XX	±0.2							
		0.XXX	±0.05							
	angular	0°	±2°	cat. no.	-	Product - Customer Drw	sheet 1 of 1			



Copyright FCI.