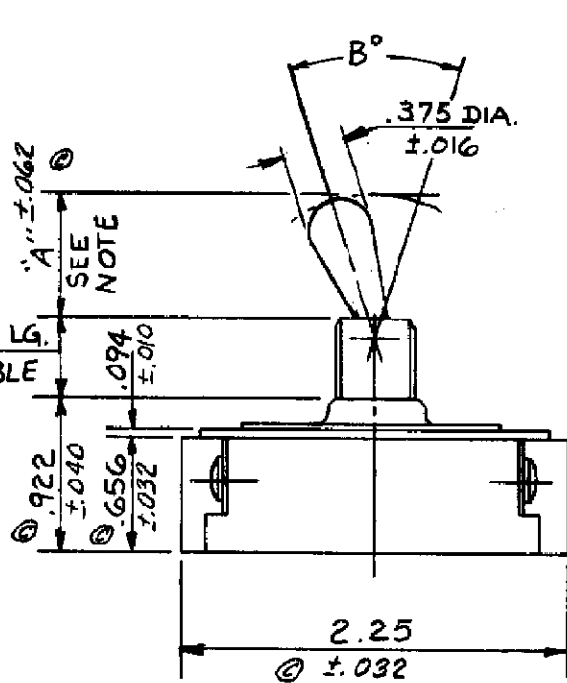
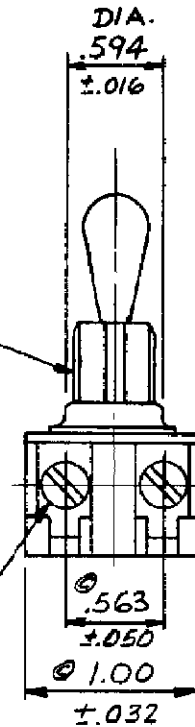


NOTE:  
 STYLE LEVER "K" <sup>ⓑ</sup>  
 ILLUSTRATED OTHER  
 STYLED LEVERS  
 ARE SHOWN ON  
 A 24-5618



15  
32 - 32 THRD'S



4-#6-32 BINDING  
 HEAD SCREWS

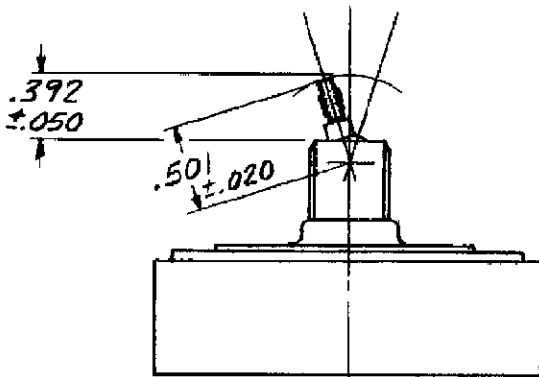


FIG. 2 <sup>ⓐ</sup>

L	.791	.768
K	.791	.768
J	.791	.768
G	.794	.771
F	.862	.839
E	.734	.711
D	.734	.711
C	.699	.677
LEVER STYLE A	.778	.756
A	B DIM. "A" <sup>ⓐ</sup>	
A DIM. "B"	B 50°±10° 37°±10°	
DESCRIPTION	B .340±.016 .469±.016	
	BUSH. LENGTH	

REVISION FOR 2. ADDED LEVER STYLE "L" TO  
 TABLE "A" ±.062 WAS ±.020. 922 ±.040  
 WAS ±.020. 656 ±.032 WAS  
 656 ±.032. 1.000 ±.032 WAS  
 1.000 ±.032. 1.000 ±.032  
 1.000 ±.032. 1.000 ±.032  
 1.000 ±.032. 1.000 ±.032

C  
 A  
 90-4740

TITLE DIMENSIONS FOR 10 AMP. 250V ONE HOLE MTS. TOOL HANDLE SWITCH

ORDER NO. 702V101018 BASIC SPECS. SUMMARY

A	CHG'D TAB. FORMAT FOR CLARIFICATION	R.G. MLD 7-22-72	DR. R. GLENN	7/21/72	APP. Max Harper	7/21/72
	REVISED "A" DIM. IN TAB. ADDED TOLERANCES TO BUSH. LG. & "B" DIM. STYLE LEVER "K" WAS "A" IN NOTE.	G.T.R. R.G. M.H.	CHK. R. GLENN	7/21/72	FIRST ASSEM. WHERE LISTED	890-5435
B	REVISED TABULATION OF "A" DIM.	G.T.R. R.G. MLD		7/14/74		

**CUTLER • HAMMER**