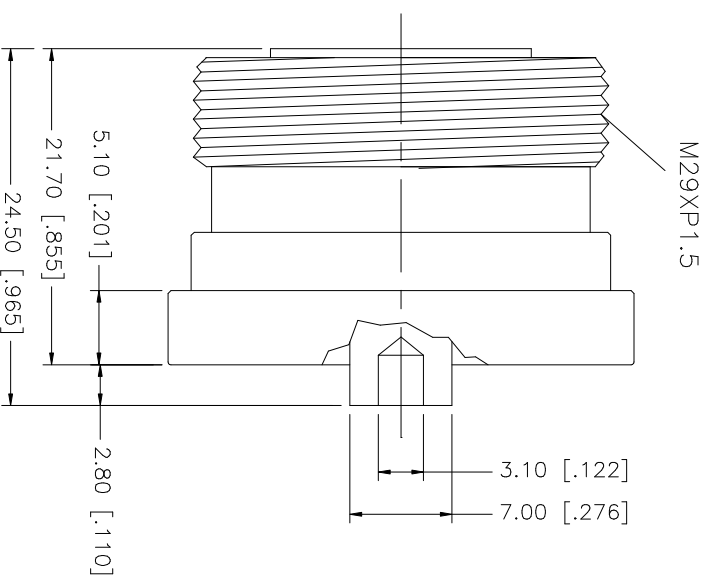
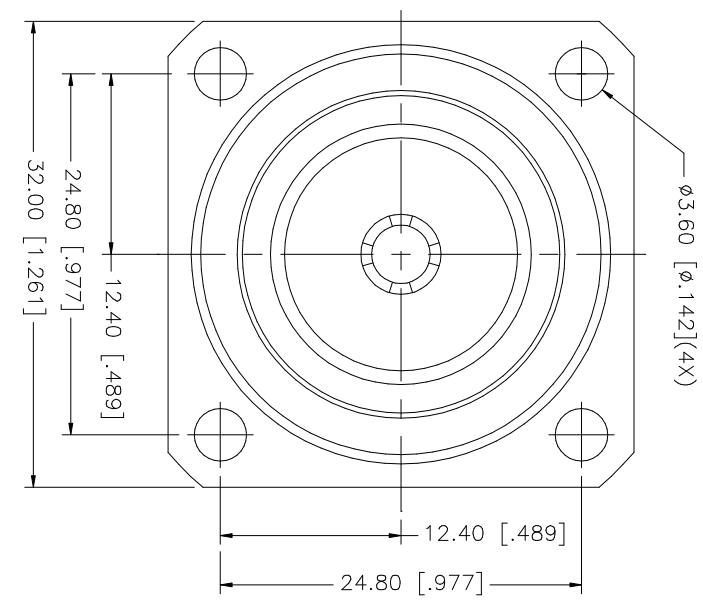


REV.	DATE	DESCRIPTION
NC	03/18/00	INITIAL RELEASE
A	07/30/06	UPDATE DRAWING FORMAT



NO.	DESCRIPTION	MATERIAL	FINISH	QTY	UNLESS OTHERWISE SPECIFIED DIMENSIONS ARE IN MILLIMETERS. DIMENSIONS IN [] ARE IN INCHES AND FOR CONVENIENCE ONLY. TOLERANCES FOR MILLIMETERS ARE: 0.5 - 8mm ± 0.20mm 8 - 30mm ± 0.40mm 30 - 120mm ± 0.50mm UNLESS OTHERWISE SPECIFIED DIMENSIONS FOR INCHES ARE: .020 - .315 = ± 0.007" .315 - 1.180 = ± 0.015" 1.180 - 4.724 = ± 0.020"	APPROVALS	DATE	PART DESCRIPTION	DWG. NO.	REV.	SIZE	SCALE
8								Amphenol Connex 7/16 PANEL RECEPTACLE (SOLDER CONTACT) 272130	272130.DWG	A	A	NA
7						DRAWN	08/03/06					
6						CHECKED						
5	COVER	PE	BLUE	1		ISSUED						
4	FERRULE	COPPER	NEXCOTE	1		SHEET						
3	CONTACT PIN	BER. COPPER	SILVER	1		1 OF 1						
2	INSULATOR	TEFLON	NATURAL	1								
1	BODY	BRASS	NEXCOTE	1								
DESCRIPTION												
MATERIAL												
FINISH												
QTY												
DO NOT SCALE DRAWING												
CAD FILE												
C:/272/272130.DWG												