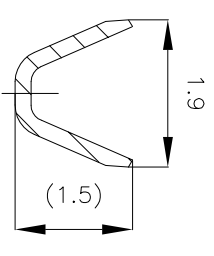
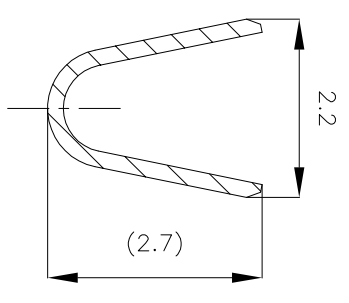


SECT "C"-"C"
 SCALE 20-1

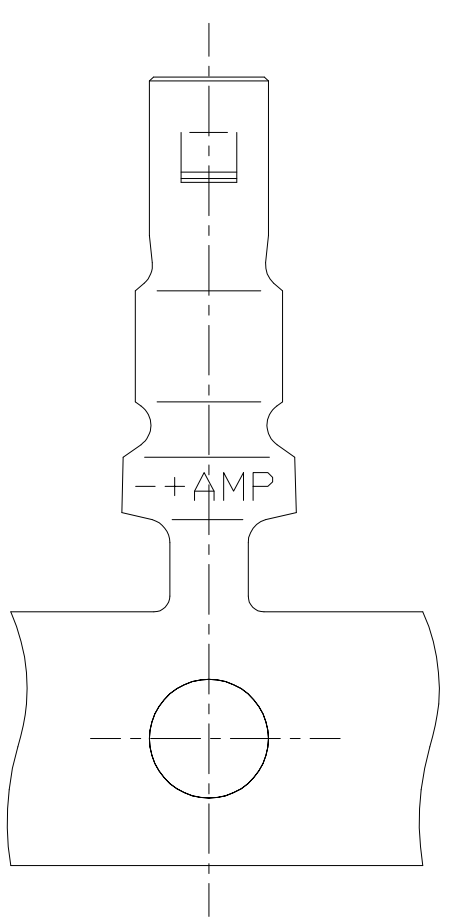
NOTES:
 1. USE HOUSING: P/N 179228



SECT "A"-"A"



SECT "B"-"B"



GENERAL TOLERANCE
 0 < * ≤ 10: ±0.2
 10 < * ≤ 30: ±0.25
 30 < * ≤ 100: ±0.3
 ANGLES: ±3°

THIS DRAWING IS A CONTROLLED DOCUMENT.	
DIMENSIONS: mm	TOLERANCES UNLESS OTHERWISE SPECIFIED
0 P/C	±
1 P/C	±
2 P/C	±
3 P/C	±
4 P/C	±
ANGLES	±
FINISH	±
MATERIAL SEE TABLE	SEE TABLE

DMN T. FURUYA 12NOV93	NAME STE TE Connectivity
CHK S. KUBOUCHI 15NOV93	CRIMP TYPE II RECEPTACLE CONTACT (AMP CT CONNECTOR 2mm PITCH)
APD S. KUBOUCHI 15NOV93	SIZE A2
PRODUCT SPEC 108-60029	CAGE CODE 00779
APPLICATION SPEC 114-5179	DRAWING NO 179227
WEIGHT	SCALE NTS
CUSTOMER DRAWING	SHEET 1 OF 1
	REV B4

GOLD PLT COPPER ALLOY (0.2t)	179227-4
PRE TINNED COPPER ALLOY (0.2t)	179227-1
MATERIAL & FINISH	PART NO.

179227