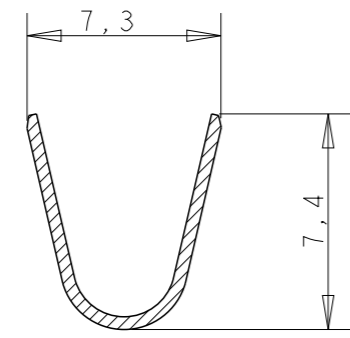
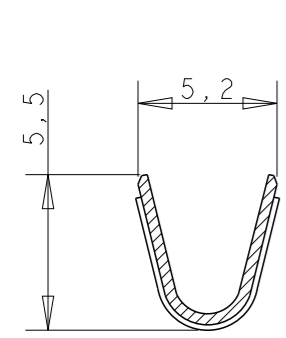
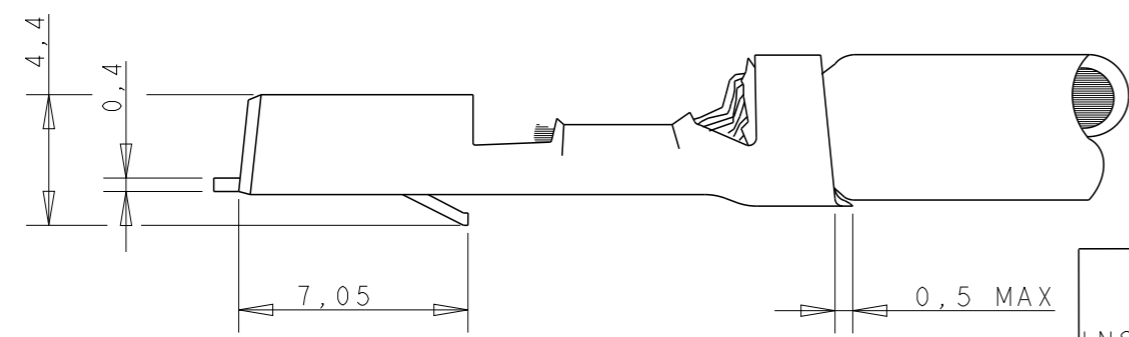
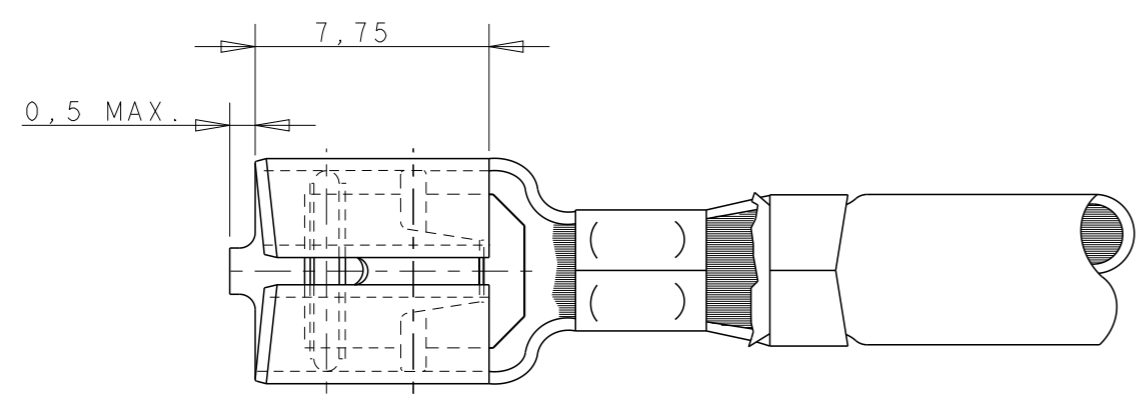
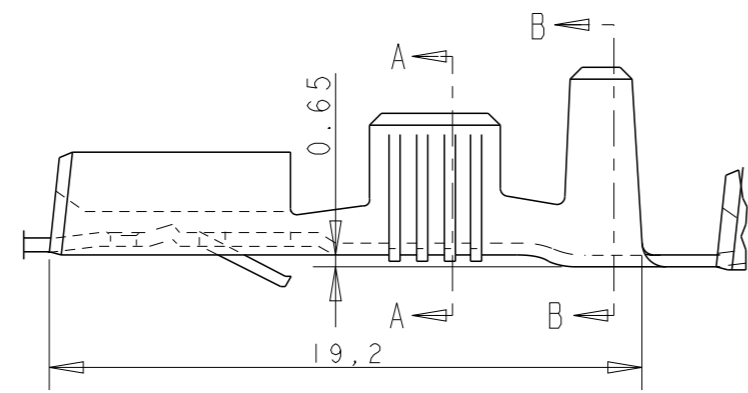
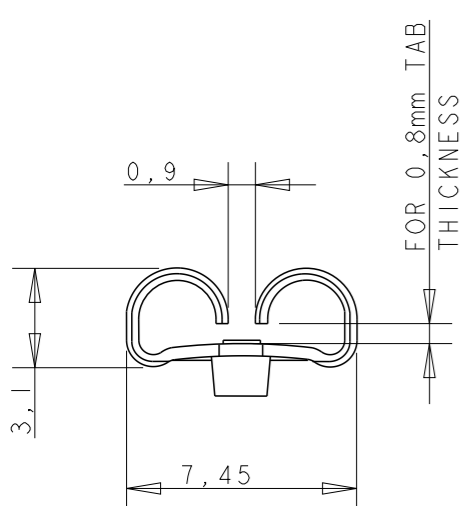
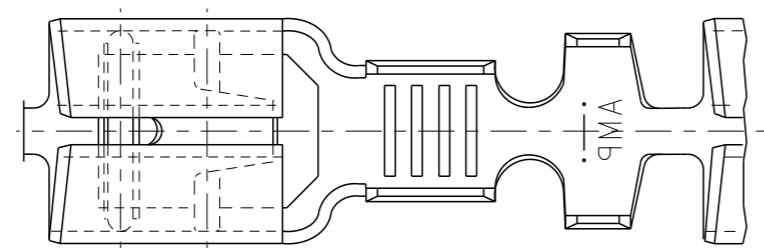


P	LTR	DESCRIPTION	DATE	DWN	APVD
	D2	ECR-22-147013	21 JUL 2022	I. E	W. M



WIRE RANGE :
4,0-6,0 mm²
INSULATION RANGE :
4,0-5,2 DIA.

NOTES:

- △ FOR USE ON MINIATURE APPLICATORS (LEFT-RIGHT FEED) AND STANDARD APPLICATORS (RIGHT-LEFT FEED).
- 2 REELED WITH PAPER COVER.

NOTES	FINISH	MATERIAL	PARTNUMBER
△	PRE-TINPLATED	PH. BRONZE	6-160914-8
△	PRE-TINPLATED	BRASS	6-160914-7
△	TINPLATED	PH. BRONZE	160914-4
△	UNPLATED	PH. BRONZE	160914-3
△	TINPLATED	BRASS	160914-2
△	UNPLATED	BRASS	160914-1

THIS DRAWING IS A CONTROLLED DOCUMENT.

DIMENSIONS: mm	TOLERANCES UNLESS OTHERWISE SPECIFIED:
	0 PLC ±-
	1 PLC ±0.3
	2 PLC ±0.30
	3 PLC ±-
	4 PLC ±-
	ANGLES ±-
MATERIAL See table	FINISH See table

DWN	L.V.D. HEYDEN	02 JUL 87
CHK	A.B	10 AUG 87
APVD	L.V. SOEST	25 AUG 87
PRODUCT SPEC	108-5178	
APPLICATION SPEC	114-18022	
WEIGHT	-	
CUSTOMER DRAWING		

TE TE Connectivity

NAME
.250 SRS FASTIN-ON RECEPTACLE

SIZE	CAGE CODE	DRAWING NO	RESTRICTED TO
A3	-	160914	-

SCALE - SHEET 1 OF 1 REV D2