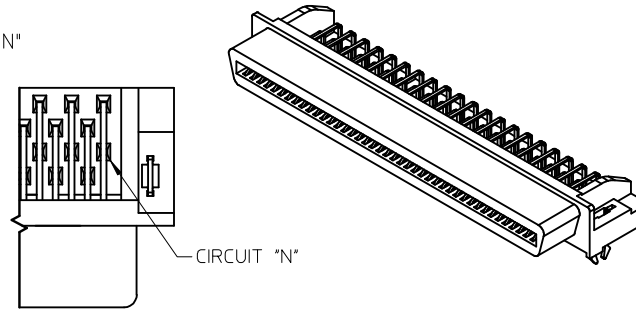
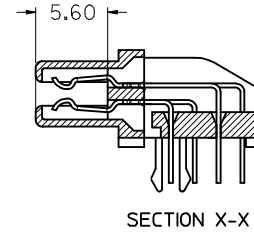
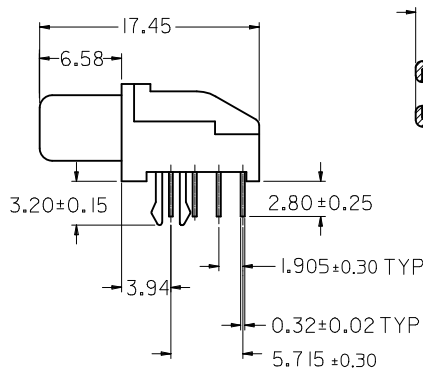
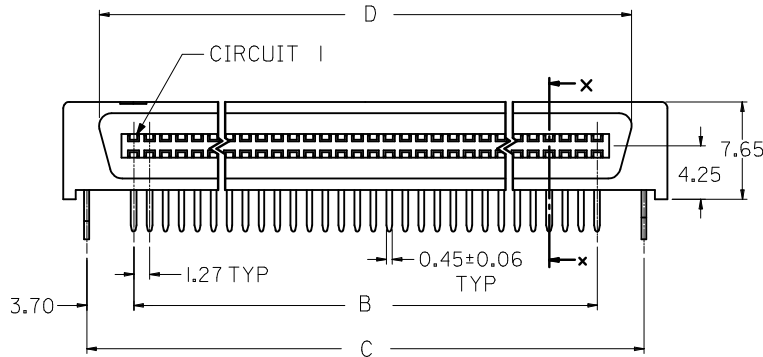


FOR CIRCUIT SIZES 68 AND 80 ONLY



FOR CIRCUIT SIZE 50 ONLY

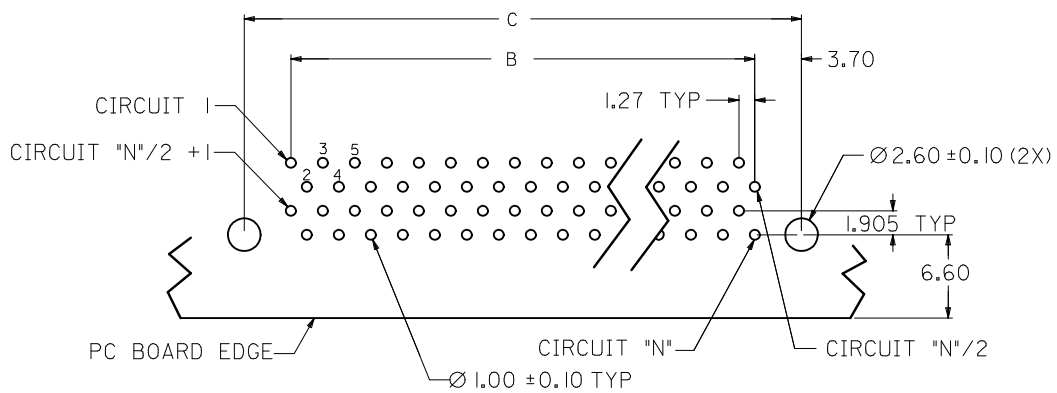


**NOTES:**

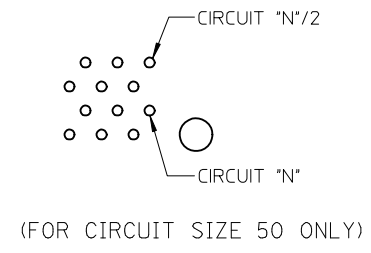
1. MATERIAL: HOUSING -- HIGH TEMP. THERMOPLASTIC, UL94-V0  
TERMINALS -- COPPER ALLOY
2. PLATING:
  - 2A 0.75µm MIN. GOLD IN SELECTIVE CONTACT AREA AND  
2.5µm MIN. TIN IN SOLDER TAIL AREA, BOTH  
OVER 1.27µm MIN. NICKEL.
3. ASSEMBLY MATES WITH MOLEX P/N 71661-\*\*\*\*.
4. RECOMMENDED P.C. BOARD THICKNESS IS 1.60MM.
5. PRODUCT SPEC. NO. : PS-87552-006
6. SEE TABLE ON SHEET 2 FOR ASSEMBLY PART NUMBERS.

REVISED EC NO: S2008-0347 DRWN:SKANG CHKD:ATSEE APPR:MLONG 2007/11/12 2007/11/12 2007/11/14	DESCRIPTION H3	QUALITY SYMBOLS	GENERAL TOLERANCES (UNLESS SPECIFIED)	DIMENSION STYLE	SCALE	DESIGN UNITS	THIRD ANGLE PROJECTION
		$\nabla=0$ $\square=0$	mm    INCH	MM ONLY	NTS	METRIC	
		4 PLACES ± --- ± --- 3 PLACES ± --- ± --- 2 PLACES ± 0.3 ± --- 1 PLACE ± --- ± ---	DRAWN BY: DSOH    DATE: 1997/04/01 CHECKED BY: KCL ING    DATE: 1997/05/06 APPROVED BY: SKTOH    DATE: 1997/05/08	TITLE	EBBI, 1.27MM PITCH RECEPTACLE, R/A		
		ANGULAR ± 3 °	MATERIAL NO.    SKTOH    DATE: 1997/05/08	MOLEX INCORPORATED DOCUMENT NO.    SD-87552-007	SHEET NO.	1 OF 2	
DRAFT WHERE APPLICABLE MUST REMAIN WITHIN DIMENSIONS			SIZE	THIS DRAWING CONTAINS INFORMATION THAT IS PROPRIETARY TO MOLEX INCORPORATED AND SHOULD NOT BE USED WITHOUT WRITTEN PERMISSION			

	10	9	8	7	6	5	4	3	2	1
	D	C	B	A	CKT SIZE	ASSEMBLY PART NUMBER				
F	36.02	37.88	30.48	41.70	50	87552-0507				
	47.45	49.31	41.91	53.13	68	87552-0687				
	55.07	56.93	49.53	60.75	80	87552-0807				



RECOMMENDED PC BOARD LAYOUT  
COMPONENT SIDE  
(FOR CIRCUIT SIZES 68 AND 80 ONLY)



<b>REVISED</b> EC NO: S2008-0347 DRWN:SKANG 2007/11/12 CHKD:ATSEE 2007/11/12 APPR:MLONG 2007/11/14 <b>H3</b>	DESCRIPTION QUALITY SYMBOLS ▽=0 ◻=0	GENERAL TOLERANCES (UNLESS SPECIFIED)		DIMENSION STYLE <b>MM ONLY</b>		SCALE <b>NTS</b>	DESIGN UNITS <b>METRIC</b>	THIRD ANGLE PROJECTION			
				mm	INCH	DRAWN BY	DATE	TITLE			
		4 PLACES	± ---	± ---	DSOH	1997/04/01	<b>EBBI, 1.27MM PITCH RECEPTACLE, R/A</b>				
		3 PLACES	± ---	± ---	CHECKED BY	DATE					
2 PLACES	± 0.3	± ---	KCLING	1997/05/06	<b>MOLEX INCORPORATED</b>						
1 PLACE	± ---	± ---	APPROVED BY	DATE							
ANGULAR ± 3 °			SKTOH	1997/05/08	MATERIAL NO.		DOCUMENT NO.				
DRAFT WHERE APPLICABLE MUST REMAIN WITHIN DIMENSIONS			SEE TABLE		SD-87552-007		SHEET NO. 2 OF 2				
			SIZE A3		THIS DRAWING CONTAINS INFORMATION THAT IS PROPRIETARY TO MOLEX INCORPORATED AND SHOULD NOT BE USED WITHOUT WRITTEN PERMISSION						