

**FEATURES**

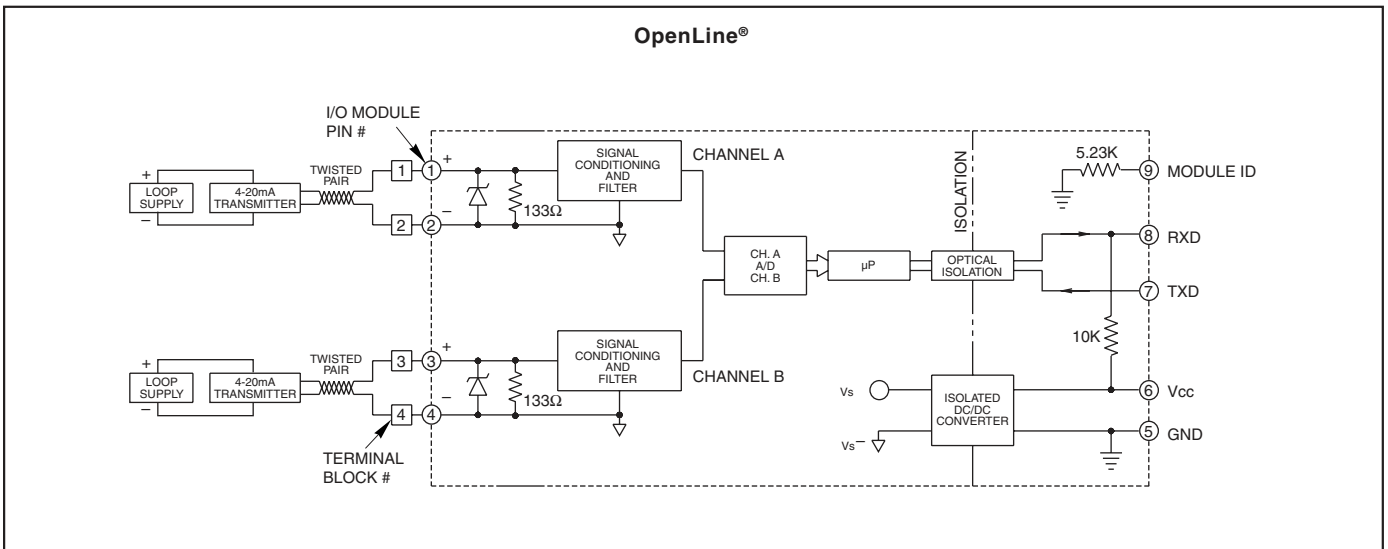
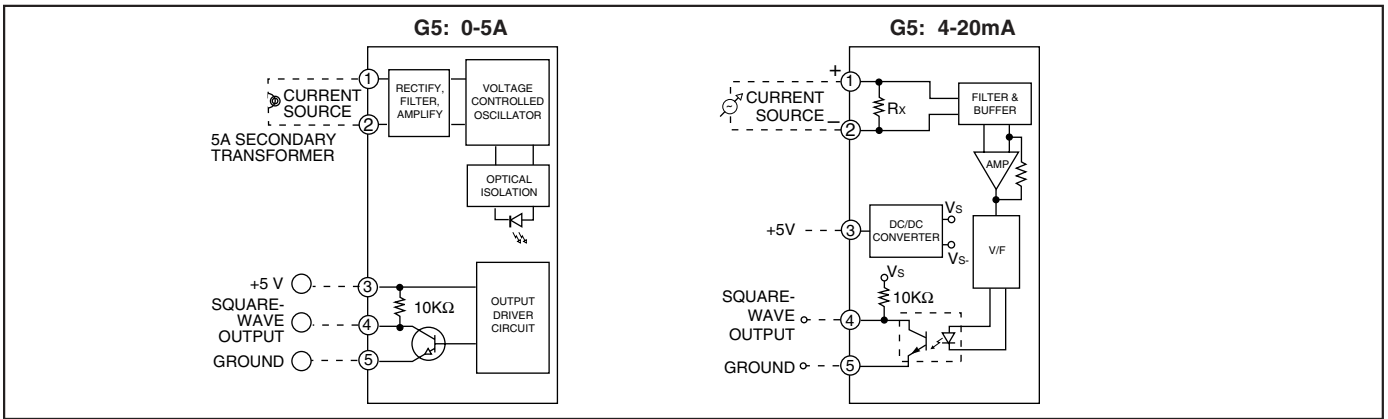
- Wide Variety of Input Ranges
- Standard Package and Pin-out
- Single 5V Power Supply
- 12-Bit Resolution
- Optical Isolation from Input to Output
- Intermix With Digital Modules on the Same Rack
- Meets the Requirements of IEEE 472
- UL, CSA, CE Certified (OpenLine only)



73L-II

73G-II

**CIRCUITRY: Voltage Output**



I/O Modules

## SPECIFICATIONS: By Part Number

Type/Function		Grayhill Part Number					
G5, OpenLine®		73G-II020	73G-II420	73G-II5000	73L-II020	73L-II420	73L-II222
Specifications	Units						
Number of Inputs		1 Ch., Diff.	1 Ch., Diff.	1 Ch., Diff.	2 Ch., S.E.	2 Ch., S.E.	2 Ch., S.E.
Resolution	bits	12	12	12	12	12	12
Absolute Accuracy @ 25°C <sup>1, 2</sup>	µA/Count % of full scale	4.88 +/- 0.2	3.91 +/- 0.2	1221 +/- 0.3	4.88 0.075	3.91 0.075	4.88 0.075
Accuracy Drift w/Temp. <sup>2</sup>							
Maximum Offset	PPM/°C	+/- 50	+/- 50	+/- 150	+/- 25	+/- 25	+/- 25
Maximum Gain (0 to 60°C)	PPM/°C	+/- 55	+/- 55	+/- 150	+/- 75	+/- 75	+/- 75
Serial Data Format		12-bit packet	12-bit packet	12-bit packet	Right Justified, 16-bit	Right Justified, 16-bit	Right Justified, 16-bit
Serial Data Packet		—	—	—	115.2Kb, N, 8, 2	115.2Kb, N, 8, 2	115.2Kb, N, 8, 2
Step Response Time <sup>3</sup>	mS	2.5	2.5	2.5	1.5	1.5	1.5
Input Resistance (Rx)	ohms	133 +/- 1%	133 +/- 1%	.020 +/- .02%	133/- 1%	133 +/- 1%	133 +/- 1%
Input Current Range	mA or A	0-20mA	4-20mA	0-5A TRMS	0-20mA	4-20mA	2-22mA
Maximum Overload	V	—	—	—	6	6	6
Logic Voltage Range	Vdc	4.5-5.5	4.5-5.5	4.5-5.5	4.75-5.25	4.75-5.25	4.75-5.25
Maximum Logic	mA/Ch.	150	120	160	38	38	38
Supply Current@5Vdc							
Module ID (Pin 9)	KΩ	N/A	N/A	N/A	5.23	5.23	5.23
Isolation Voltage							
Field to Logic	Vrms	2500	2500	2500	2500	2500	2500
Field to Power	Vrms	2500	2500	2500	2500	2500	2500
Module to Module	Vrms	2500	2500	2500	2500	2500	2500
Channel A to Channel B		—	—	—	None	None	None
Environmental Conditions							
Operating Temperature <sup>3</sup>	°C	0 to 60	0 to 60	0 to 60	-40 to 85	-40 to 85	-40 to 85
Storage Temperature	°C	-25 to 85	-25 to 85	-25 to 85	-55 to 100	-55 to 100	-55 to 100

<sup>1</sup> Includes offset, gain, non-linearity and repeatability error terms.

<sup>2</sup> Accuracy and drift graphs are available in Bulletin #753.

<sup>3</sup> Time required for output to change to within 1% of final value.

**Available from your local Grayhill Distributor.**

For prices and discounts, contact a local Distributor, a local Sales Office or Grayhill.