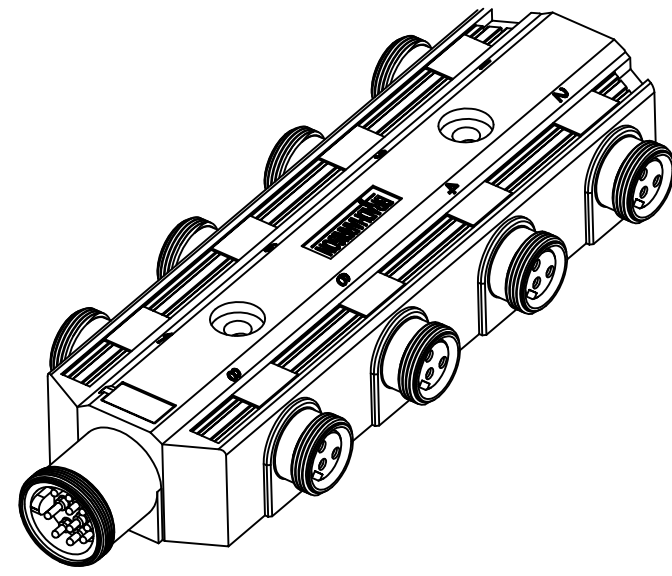


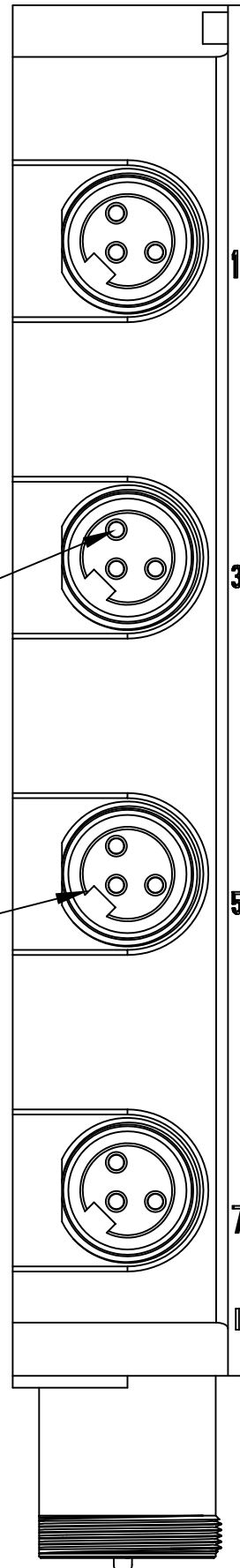
13	12	11	10	9	8	7	6	5	4	3	2	1
MATERIAL NUMBER	ENGINEERING NUMBER											
1300600026	410P801											

YELLOW LED  OUTPUT INDICATION







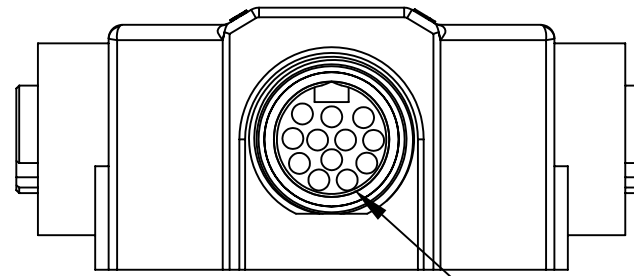


9.13 REF.
231.9

4.00 REF.
101.6

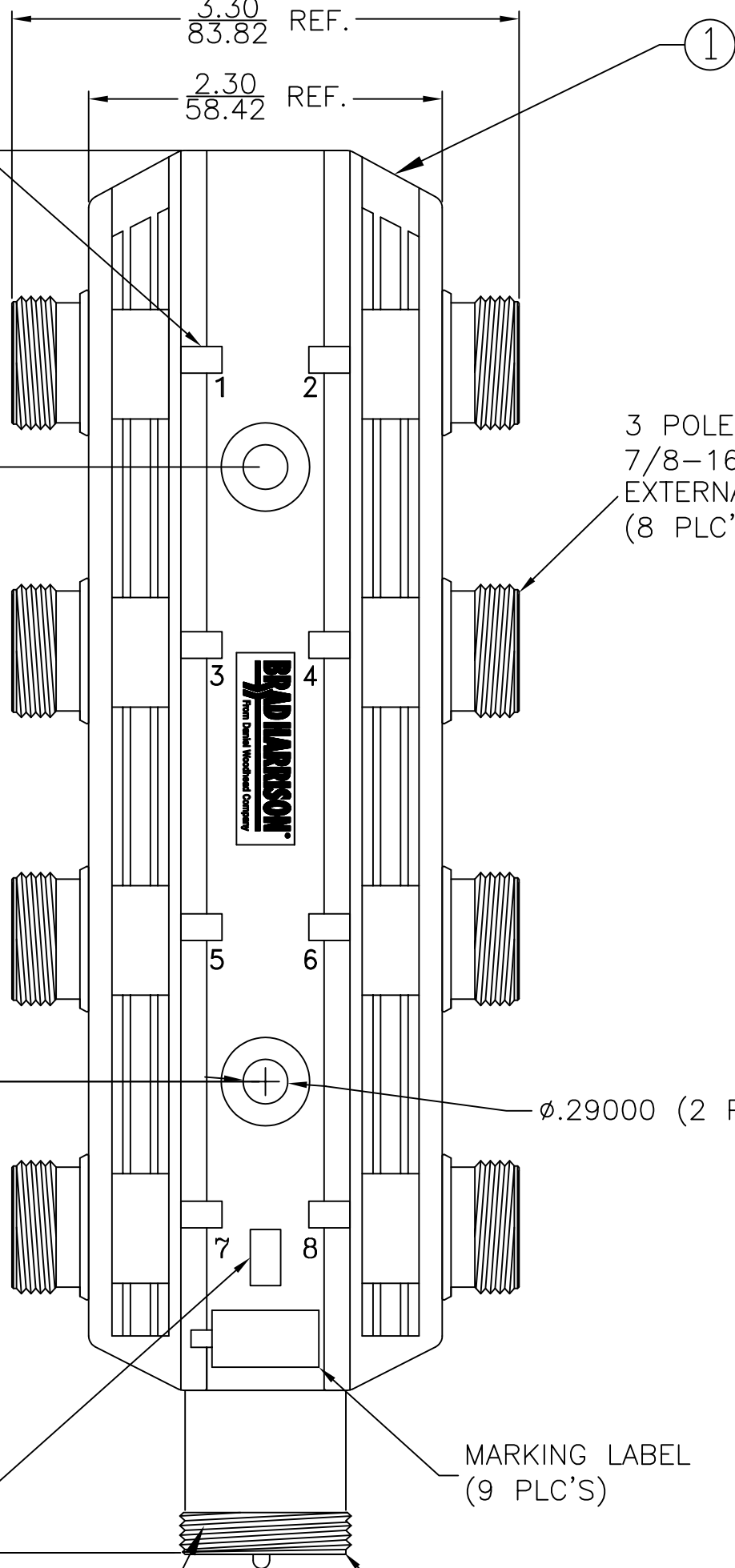
3.07 REF.
77.98

GREEN LED  POWER INDICATION



10 POLE MALE
1 1/8-16UN
EXTERNAL THREAD









ϕ .29000 (2 PLC'S)

MARKING LABEL
(9 PLC'S)

3 POLE FEMALE
7/8-16UN
EXTERNAL THREAD
(8 PLC'S)

PIN 1 GROUND
PIN 2 LOAD (L2)
PIN 3 COMMON (L1)
JUNCTION 1

PIN 1 GROUND
PIN 2 LOAD (L2)
PIN 3 COMMON (L1)
JUNCTION 3

PIN 1 GROUND
PIN 2 LOAD (L2)
PIN 3 COMMON (L1)
JUNCTION 5

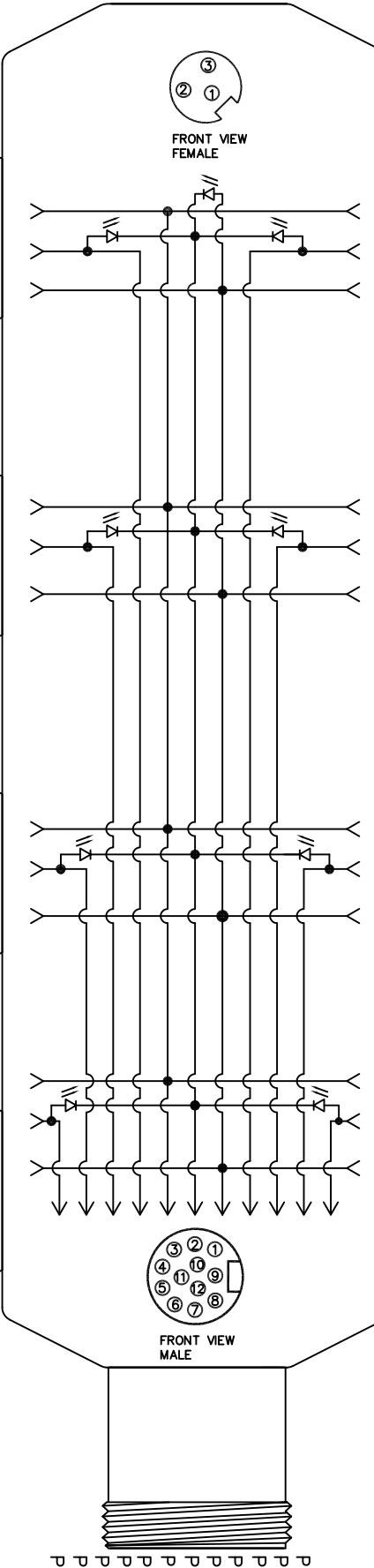
PIN 1 GROUND
PIN 2 LOAD (L2)
PIN 3 COMMON (L1)
JUNCTION 7

PIN 1 GROUND
PIN 2 LOAD (L2)
PIN 3 COMMON (L1)
JUNCTION 2

PIN 1 GROUND
PIN 2 LOAD (L2)
PIN 3 COMMON (L1)
JUNCTION 4

PIN 1 GROUND
PIN 2 LOAD (L2)
PIN 3 COMMON (L1)
JUNCTION 6

PIN 1 GROUND
PIN 2 LOAD (L2)
PIN 3 COMMON (L1)
JUNCTION 8


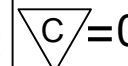


PIN 6 ORNG/BLK LOAD J8 (L2)
PIN 4 RED/BLK LOAD J6 (L2)
PIN 2 BLUE/BLK LOAD J4 (L2)
PIN 1 ORANGE COMMON (L1)
PIN 7 BLUE/BLK LED RETURN (L2)
PIN 9 GREEN GROUND
PIN 10 RED LOAD J1 (L2)
PIN 12 BLK LOAD J3 (L2)
PIN 5 GRN/BLK LOAD J5 (L2)
PIN 8 BLK/WHI NO CONNECTION

NOTES:

- 1) MATERIAL: SEE TABLE
- 2) FINISHES: SEE TABLE
- 3) ELECTRICAL DATA:
VOLTAGE: 600V AC/DC
AMPERAGE: 7AMPS PER MPIS UNIT
- 4) ENVIRONMENTAL:
PROTECTION IP67
OPERATING TEMPERATURE RANGE: -25 TO 90C
- 5) LABEL IS MARKED WITH P/N, DATE CODE, AND SCHEMATIC
- 6) CERTIFICATION:
UL: UL RECOGNIZED
CSA: CSA CERTIFIED

ITEM	QTY.	DESCRIPTION	MATERIAL	FINISH
6	9	LENS	POLYCARBONATE	CLEAR
5	9	INSERT	PVC	YELLOW
4	10	PIN CONTACT	COPPER ALLOY	GOLD PLATED
3	24	SOCKET CONTACT	COPPER ALLOY	GOLD PLATED
2	9	RECEPTACLE SHELL	E-COATED ZINC ALLOY	BLACK
1	1	HOUSING	PBT	YELLOW

EC NO: WNA2010-0456 DRWN: TWOLDEGE 2010/01/22 CH'KD: BWOODMAN APPR: JFMURPHY 2010/01/29 RELEASE	DESCRIPTION REV	QUALITY SYMBOL  = 0  = 0	GENERAL TOLERANCES (UNLESS SPECIFIED) <table border="1"> <tr> <td></td> <td>mm</td> <td>INCH</td> </tr> <tr> <td>4 PLACES</td> <td>±---</td> <td>±---</td> </tr> <tr> <td>3 PLACES</td> <td>±---</td> <td>±.005</td> </tr> <tr> <td>2 PLACES</td> <td>±0.13</td> <td>±.010</td> </tr> <tr> <td>1 PLACE</td> <td>±0.25</td> <td>±.020</td> </tr> </table>		mm	INCH	4 PLACES	±---	±---	3 PLACES	±---	±.005	2 PLACES	±0.13	±.010	1 PLACE	±0.25	±.020	DIMENSION STYLE ---- DRAWN BY: ---- DATE: ---- CHECKED BY: BWOODMAN DATE: ---- APPROVED BY: JFMURPHY DATE: 2010/01/29	SCALE: 1:1 DESIGN UNITS: INCH THIRD ANGLE PROJECTION	TITLE: 8PORT S. MOUNT MPIS LED 8PORT 3-POLE FEMALE W/ 12P MALE HOME RUN CONN. MOLEX INCORPORATED DOCUMENT NO. SD-130060-007 SHEET NO. 1 OF 1
			mm	INCH																	
		4 PLACES	±---	±---																	
		3 PLACES	±---	±.005																	
2 PLACES	±0.13	±.010																			
1 PLACE	±0.25	±.020																			
DRAFT WHERE APPLICABLE MUST REMAIN WITHIN DIMENSIONS			MATERIAL NO. SEE CHART SIZE C	THIS DRAWING CONTAINS INFORMATION THAT IS PROPRIETARY TO MOLEX INCORPORATED AND SHOULD NOT BE USED WITHOUT WRITTEN PERMISSION																	