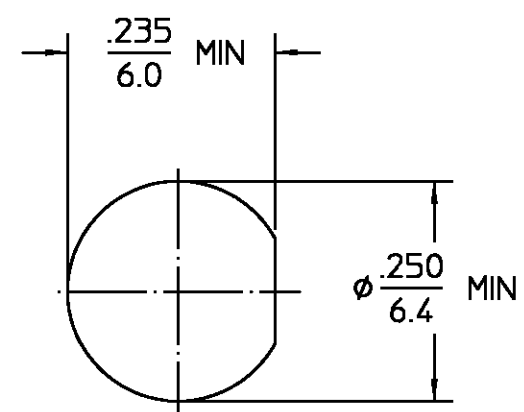


DESIGNED FOR USE WITH	.141 SR
CABLE ENTRY DIAMETER MINIMUM	
HOUSING	.142
CONTACT	.037

REVISIONS			
REV	DESCRIPTION	DATE	APPROVED
01	REVISED	K. LE 1/23/97	<i>RAC</i>



RECOMMENDED MOUNTING HOLE

ELECTRICAL	MECHANICAL	ENVIRONMENTAL
Nominal Impedance (Ohms) <u>50</u>	Interface Dimensions MIL-STD-348A, Fig. 310-2	Temperature Rating <u>-55 to +125°C</u>
Frequency Range (GHz) DC to <u>27</u>	Recommended Mating Torque <u>7-10 IN-LBS</u>	Vibration MIL-STD-202, Method 204, Condition B
Volt Rating (VRMS MAX) @ Sea Level <u>200</u>	Mating Characteristics: Insertion (MAX Lbs) <u>3.0</u>	Shock MIL-STD-202, Method 213, Condition I
VSWR <u>1.02 + .005(f)</u>	Withdrawal (MIN Oz) <u>1.0</u>	Thermal Shock MIL-STD-202, Method 107, Condition B, Except High Temp +200°C
Insertion Loss (dB MAX) <u>.30</u> $\sqrt{dB}$	Force to Engage and Disengage (In-Lbs MAX) <u>2.0</u>	Moisture Resistance MIL-STD-202, Method 106
RF Leakage (dB MIN) <u>-40</u> @ 2-3 GHz	Center Contact Captivation: Axial (Lbs) <u>N/A</u>	Corrosion - MIL-STD-202, Method 101, Condition B, 5% salt spray
Corona, 70,000 Ft (VRMS MIN) <u>375</u>	Radial (In-Oz) <u>N/A</u>	
Dielectric Withstanding Voltage (VRMS MIN) @ Sea Level <u>1,500</u>	Cable Retention: Axial Force (Lbs) <u>60</u>	
Contact Resistance (Milliohms MAX): Center Contact <u>2.0</u>	Torque (In-Oz) <u>N/A</u>	
Outer Contact <u>2.0</u>	Weight (Grams) <u>TBD</u>	
Cable to Housing <u>0.5</u>		
RF High Potential @ Sea Level (VRMS MIN @ 5 MHz) <u>1,000</u>		
LR.(Megohms MIN) <u>10,000</u>		

COMPONENT	MATERIAL	FINISH
HOUSING MOUNTING NUT LOCKWASHER	STAINLESS STEEL PER ASTM-A484 AND ASTM-A582, TYPE 303	GOLD PLATE PER MIL-G-45204
DIELECTRIC	TFE FLUOROCARBON PER ASTM-D-1457	N/A
CENTER CONTACT	BERYLLIUM COPPER PER ASTM-B-196 OR ASTM-B-197, ALLOY C17300, CONDITION H	GOLD PLATE PER MIL-G-45204
O-RING	SILICONE RUBBER PER ZZ-R-765	N/A

UNLESS OTHERWISE SPECIFIED DIMENSIONS ARE IN INCHES

DRAWN BY	LL	DATE	7-13-79
CHECKED BY	R.S	DATE	7-18-79
APPD BY	GH	DATE	7-20-79

FRAC. ± 1/64 DEC. ± .005 ANGLES ± 1°

These drawings and specifications are the property of M/A COM Interconnect Div. and shall not be reproduced or copied or used in whole or in part as the basis for the manufacture or sale of item(s) without written permission.

USE ASS'Y PROCEDURE

408-04874  
NO. AP. (27-005)

AMP Incorporated  
140 Fourth Avenue  
Waltham, MA 02451-7599

**AMP**

TITLE \*OSM\* 27 GHz BULKHEAD FEEDTHRU CABLE JACK-DIRECT SOLDER ATTACHMENT

SIZE	B	CODE IDENT NO.	26805	2704-7941-00	REV	01 <sub>2</sub>
SCALE	4:1			SHEET 1 OF 1		