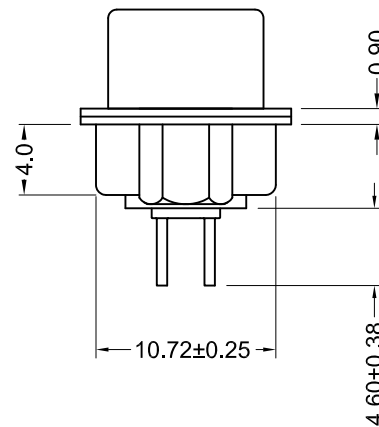
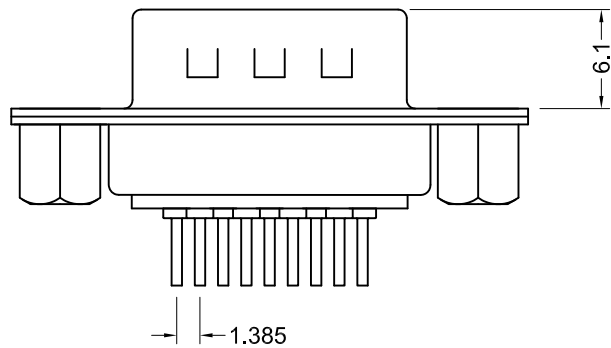
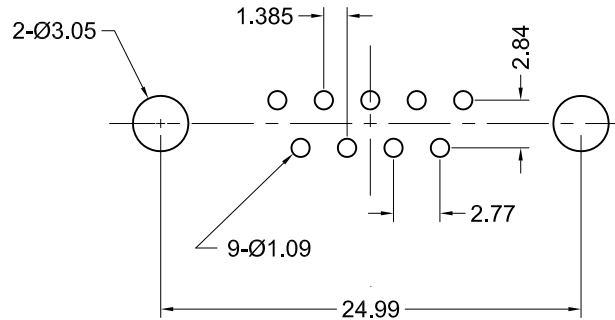


Recommended PCB Layout  
(Top View)



**Material and Finish**

Shell: steel, Nickel plated  
 Insulator: PBT with glass-fiber reinforcement, UL 94V-0 rated, color-black

Contact Material:

Plug: Brass

Contact Plating:

Standard:

Gold flash on mating end, tin on termination end, with entire contact nickel underplated

-15 Option:

15u" gold on mating end, tin on termination end, with entire contact nickel underplated

-30 Option:

30u" gold on mating end, tin on termination end, with entire contact nickel underplated

**Electrical Specifications**

Rated Current: 2A

Rated Voltage: 30V RMS

Withstanding Voltage:  
500V (rms) AC for 1 minute

Insulation Resistance:  
more than 1000 Megohm at 500V DC

Contact Resistance:  
13 milliohm max.

Dielectric Strength:  
1000V for 1 minute

Operating Temperature:  
-55°C to +105°C

**Ordering Information**

Part Number	Contact Area Plating Finish
K85X-ED-9P-K	Gold Flash (standard)
K85X-ED-9P-K15	15u" Gold (15 option)
K85X-ED-9P-K30	30u" Gold (30 option)

**RoHS COMPLIANT**



Tolerances
X.X ± 0.25
X.XX ± 0.15
Unless Stated Otherwise

REV.	DATE	DESCRIPTION	REV. BY	CHK. BY	DRAWN BY	DATE
A1	11/04/05	New Drawing	R. Aguirre	H. MA	R. Aguirre	11/04/05
A2	1/9/08	ECO #07-052	WILL H.	H. MA		
A3	12/31/17	ECO #17-030	G. Serrato	C. Furumasu		
					UNITS	
					mm	

**K85X-ED-9P-K**

Vertical PCB Mount D-Sub, RoHS Compliant

9 pin male, threaded bushing

