

Data Sheet	AI-1440-TWT-24V-3-R
------------	---------------------

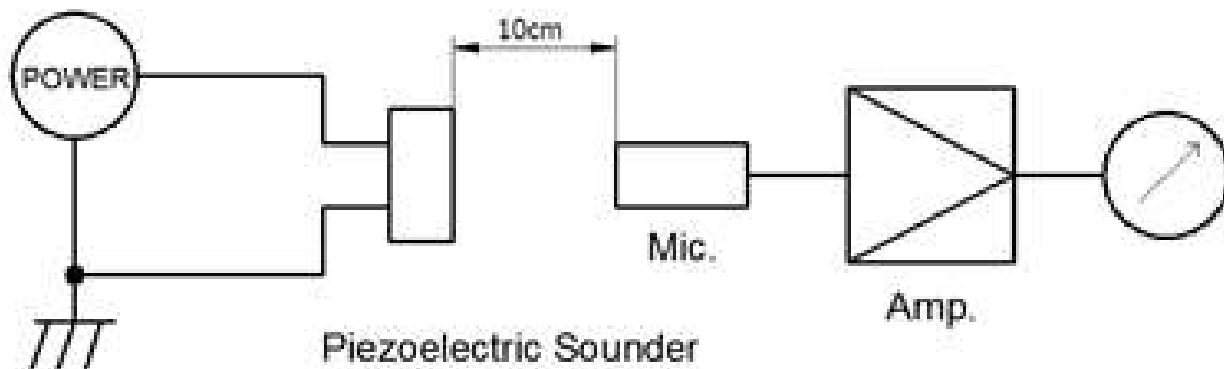
Features:

- Continuous tone of 4 kHz
- 88 dB output with 24 VDC
- Washable design with removable wash tab

Specifications

Parameters	Values	Units
Rated Voltage	24	VDC
Operating Voltage Range	5 ~ 28	VDC
Current Draw at Rated Voltage	≤20	mA
Minimum SPL @ 10cm	≥88	dBA
Resonant Frequency	4000±500	Hz
Tone or Pulse Rate	Continuous	-
Housing Material	PPO	-
Weight	0.96	Grams
Acceptable Soldering Methods	Hand Solder	-
Environmental Compliances	RoHS	-
Storage Temperature	-30 ~ +80	°C
Operating Temperature	-20 ~ +70	°C

Measurement Method (24 VDC with SPL meter at 10cm)



MIC: ND10 Sound Meter or equivalent

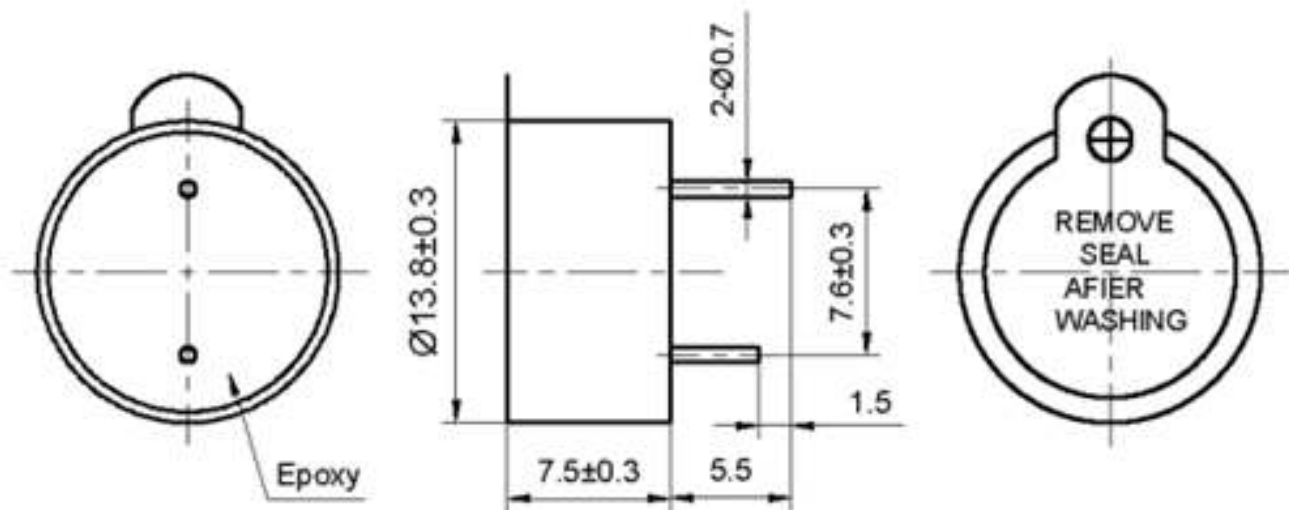
DC Power Supply: QJ6003S or equivalent

Reliability Testing

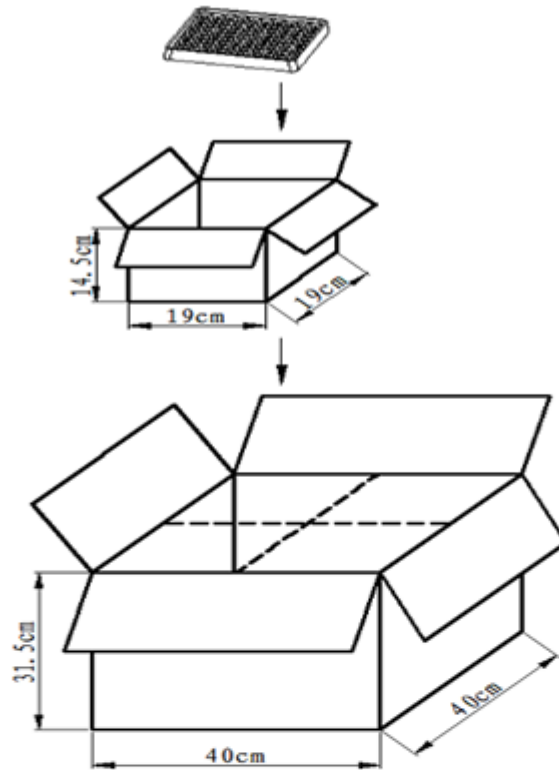
Type of Test	Test Specifications
High Temperature Test	+90±2°C, 96Hrs
Low Temperature Test	-40±2°C, 96Hrs
Humidity Test	40±2°C, 93 (+2/-3) % RH for 96 Hours
Temperature Cycle Testing	-40±2°C, 30minutes +20±2°C, 15 minutes +90±2°C, 30 minutes +20±2°C, 15 minutes 5 cycles
Vibration Test	10 to 55 Hz band of vibration frequency to each of 3 perpendicular directions for 2 hrs.
Drop Test	The part shall be dropped from a height of 70cm onto a 10mm thick wooden board; 3 times in 3 axial directions (x, y & z) (a total of 9 times).

After being placed at room temp for 2 to 4hrs, the product shall meet specifications, except the SPL should be within ±10dB compared with initial value.

Dimensions (Tolerance: ±0.5mm)



Packaging



NOTES:

1. 100 PCS per box
2. 10 boxes per inner carton
3. 1000pcs per inner carton
4. Inner carton volume: $19 \times 19 \times 14.5\text{cm}$
5. 8 pcs inner cartons per carton
6. Total 8000 PCS carton
7. Volume: $40 \times 40 \times 31.5\text{cm}$

Specifications Revisions

Revision	Description	Date
-	Released from Engineering	4/2/20

Note:

- 1. Unless otherwise specified:
 - A. All dimensions are in millimeters.
 - B. Default tolerances are $\pm 0.5\text{mm}$ and angles are $\pm 3^\circ$.
- 2. Specifications subject to change or withdrawal without notice.