

© COPYRIGHT 1980 BY AMP INCORPORATED, HARRISBURG, PA.
 ALL INTERNATIONAL RIGHTS RESERVED. AMP INCORPORATED PRODUCTS
 COVERED BY U. S. AND FOREIGN PATENTS AND/OR PATENTS PENDING.

REVISIONS						
P	F	ZONE	LTR	DESCRIPTION	DATE	APPROVED
			H	REV PER EC 0730-0201-94	42695	JH RS

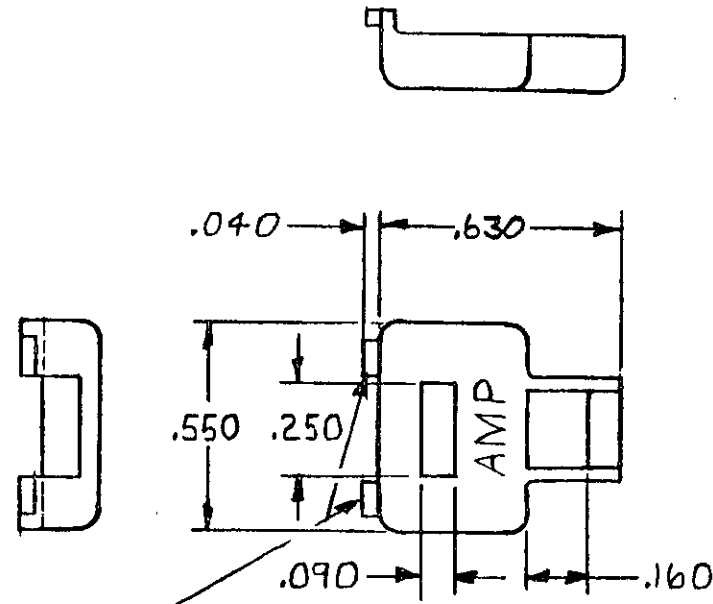


FIGURE 1

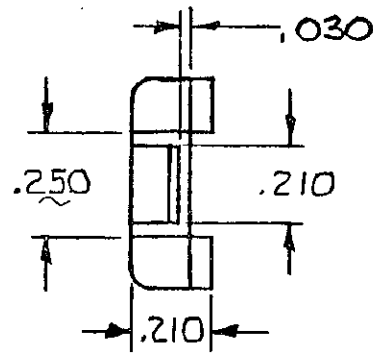
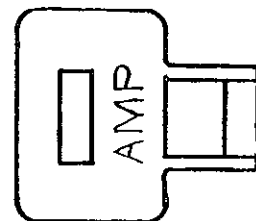
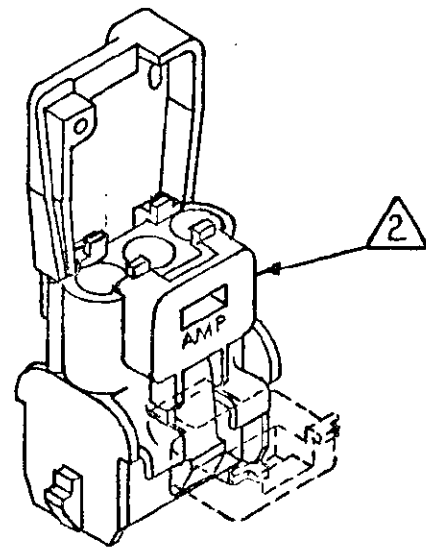


FIGURE 2

1 FOR USE WITH 3,4,9,12 AND 15 CIRCUIT CAP HOUSINGS AND APPROPRIATE STRAIN RELIEF (ENCLOSED VERSION).
 2 ADAPTER ATTACHES TO CAP HOUSING AS SHOWN PROVIDING FEATURE TO ATTACH STRAIN RELIEF.



FOR ASSY. MODULE	FIGURE 2 (WITHOUT NIBS)	641778-2
FOR STRAIN RELIEF	FIGURE 1 (WITH NIBS)	641778-1
USAGE	ADAPTER STYLE	PART NO

UNLESS OTHERWISE SPECIFIED DIMENSIONS ARE IN INCHES. TOLERANCES ON: DECIMALS ±.015 ANGLES ±	CONTRACT NO		AMP AMP INCORPORATED Harrisburg, Pa.	
	DR	<i>m. FEHER 12-18-80</i>		
MATERIAL NYLON 94V-0	CHK	<i>J. S. Heide, 12/29/80</i>	NAME ADAPTER, CAP HOUSING, UNIVERSAL MATE-N-LOK	
	APPD	<i>J.C.M. 12-21-80</i>	SIZE B	CODE IDENT NO 00779
	DSGN APPD		DRAWING NO 641778	
	OTHER APPD		SCALE 2-1	SHEET