

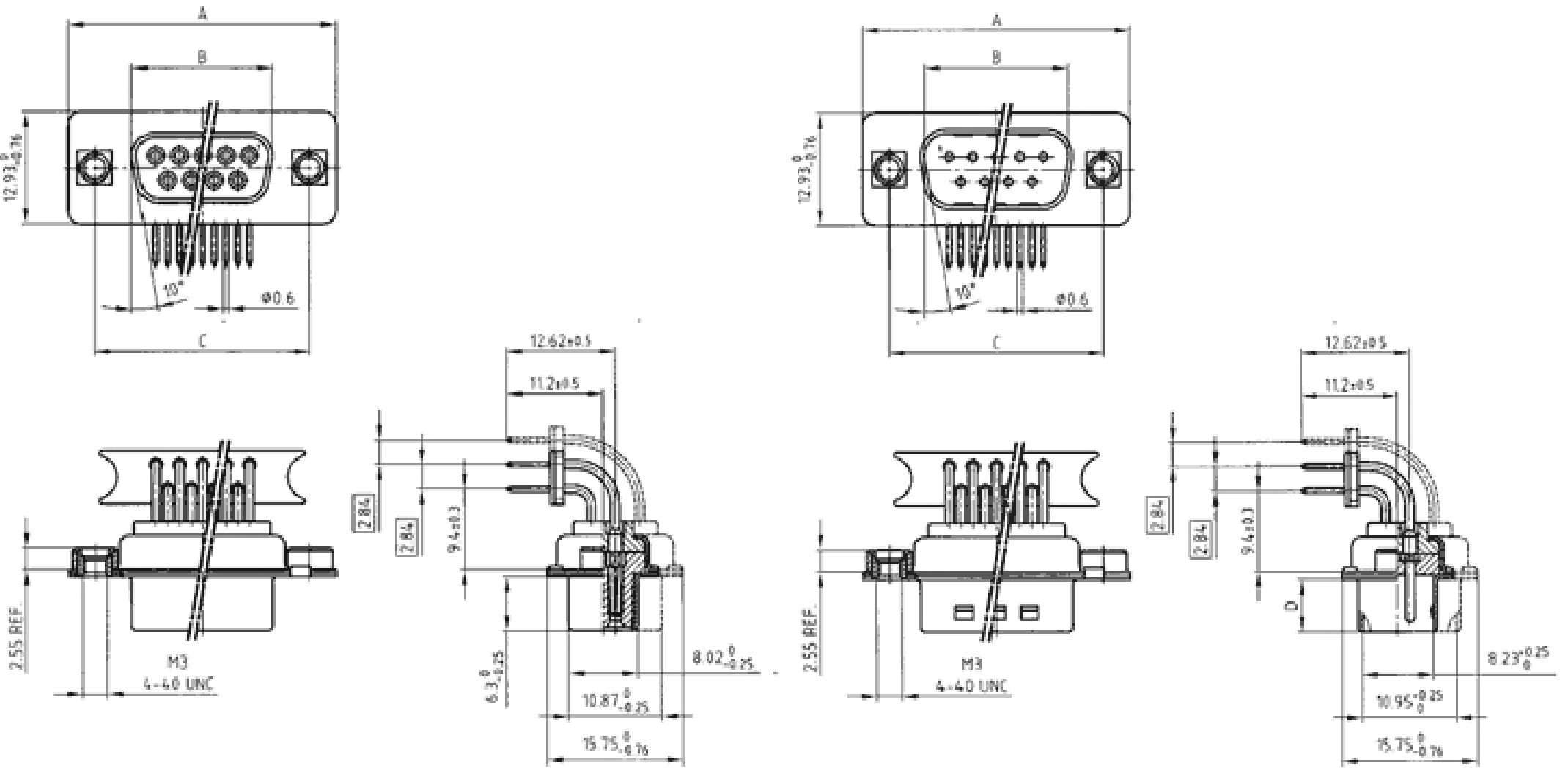
D-Sub Connector
Solder pin angled .370"
with threaded insert



(click on the schematic(s) for a more detailed view)

Socket connector

Plug connector



Socket connector:

No. of pos.	A -0,76	B-0,25	C
9	31,19	16,46	25,00 ^{+0,12} _{-0,13}
15	39,52	24,79	33,30 ^{+0,15} _{-0,10}
25	53,42	38,50	47,04 ^{±0,13}
37	69,70	54,96	63,50 ^{±0,13}
50	67,31	52,55	61,10 ^{+0,14} _{-0,11}

Plug connector:

No. of pos.	A -0,76	B+0,25	C	D -0,30
9	31,19	16,79	25,00 ^{+0,12} _{-0,13}	6,12
15	39,52	25,12	33,30 ^{+0,15} _{-0,10}	6,12
25	53,42	38,84	47,04 ^{±0,13}	5,99
37	69,70	55,30	63,50 ^{±0,13}	5,99
50	67,31	52,68	61,10 ^{+0,14} _{-0,11}	5,99

Part Numbers

No.of Pos.	Socket connector tin -plated	
	UNC 4 - 40	M 3
9	164 A 10519 X	164 A 10569 X
15	164 A 10529 X	164 A 10579 X
25	164 A 10539 X	164 A 10589 X
37	164 A 10549 X	164 A 10599 X
50	164 A 10559 X	164 A 10609 X

No.of Pos.	Plug connector tin -plated with ground indent	
	UNC 4 - 40	M 3
9	163 A 11569 X	163 A 11619 X
15	163 A 11579 X	163 A 11629 X
25	163 A 11589 X	163 A 11639 X
37	163 A 11599 X	163 A 11649 X
50	163 A 11609 X	163 A 11659 X

