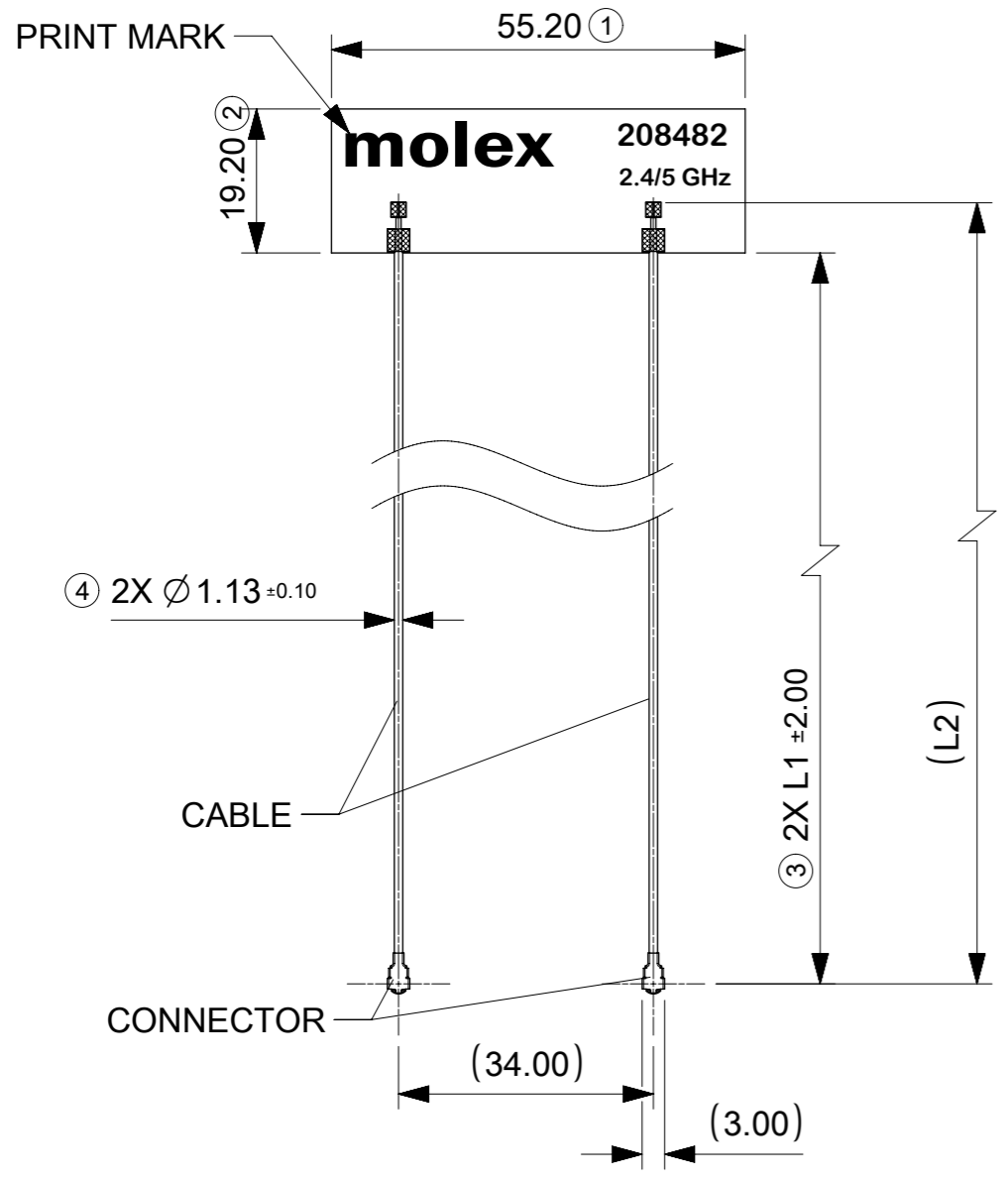
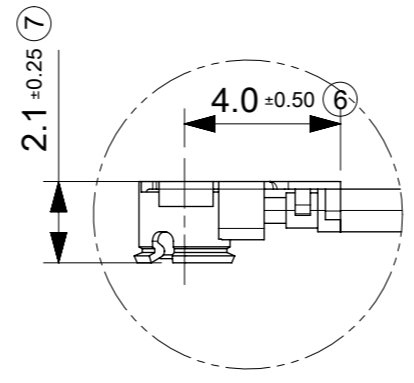
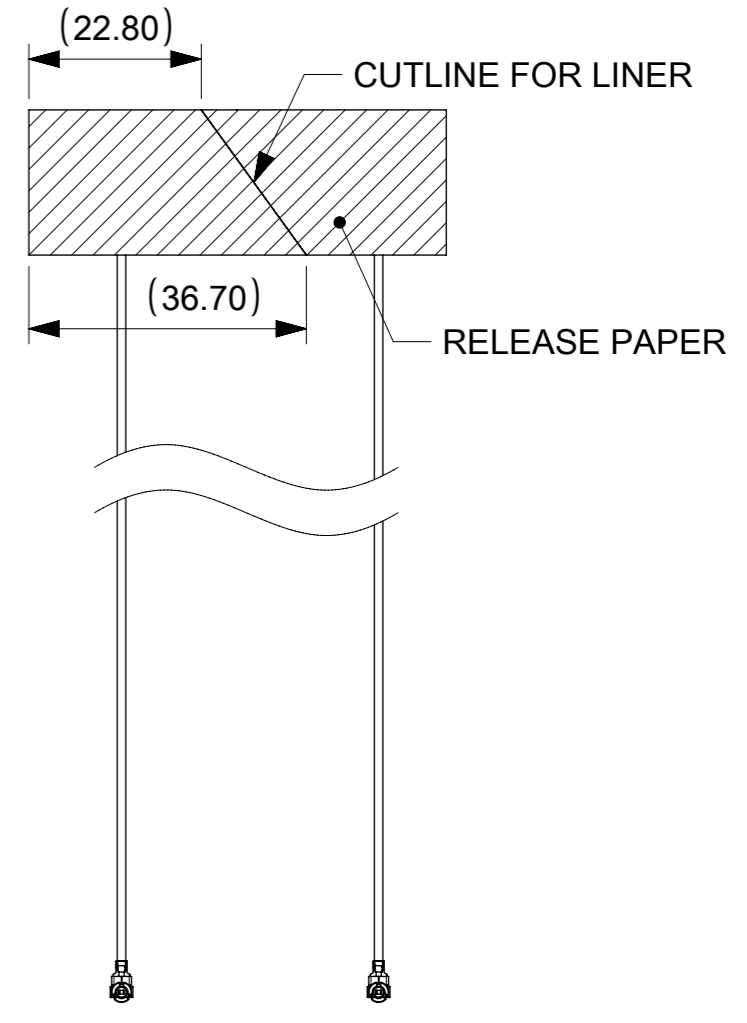


REV	DATE	DESCRIPTION
A	2022/05/11	NEW RELEASE



⑤ 2.00mm WITH SOLDER PASTE MAX (INCLUDE FLEX)
 (0.31) FLEX THICKNESS



DETAIL B
SCALE 5:1
CONNECTOR

- NOTES:
- MATERIAL:
 FLEX SOLDER MASK BLACK IN COLOR.
 PRINT TEXT WHITE IN COLOR.
 CABLE: Ø1.13MM, BLACK IN COLOR.
 CONNECTOR: MHF-1 PLUG AU TYPE (P/N: 20278-112R-13).
 ADHESIVE: TESA 68537. THICKNESS: 100UM.
 - FOR PULL TEST, CAN NOT LIFT UP IN THE VERTICAL DIRECTION.
 - THE CONNECTOR WILL BE PROTECTED WITH A CAP
 - APPLICATION SPEC PLEASE REFER TO AS OF AS-2084820100.
 - PRODUCT SPEC PLEASE REFER TO PS OF PS-2084829100.

ITEM	MATERIAL NO.	CABLE LENGTH"L1"	CABLE LENGTH"L2"
1	2084829100	93.24mm	100mm
2	2084829150	143.24mm	150mm
3	2084829200	193.24mm	200mm

THIS DRAWING CONTAINS INFORMATION THAT IS PROPRIETARY TO MOLEX ELECTRONIC TECHNOLOGIES, LLC AND SHOULD NOT BE USED WITHOUT WRITTEN PERMISSION

DIMENSION UNITS mm	SCALE 1:1	CURRENT REV DESC:	molex		
GENERAL TOLERANCES (UNLESS SPECIFIED)		EC NO: 706413			
ANGULAR TOL ± 2.0°	4 PLACES ±	DRWN: KCHENG06 2022/05/11	PRODUCT CUSTOMER DRAWING		
3 PLACES ± 0.2	2 PLACES ± 0.25	CHK'D: HORACM1 2022/05/13	DOCUMENT NUMBER		
1 PLACE ± 0.3	0 PLACES ± 0.5	APPR: HORACM1 2022/05/13	2084829100		
DRAFT WHERE APPLICABLE MUST REMAIN WITHIN DIMENSIONS		INITIAL REVISION:	DOC TYPE	DOC PART	REVISION
THIRD ANGLE PROJECTION		DRWN: KCHENG06 2022/05/11	PSD	001	A
DRAWING		APPR: HORACM1 2022/05/13	SHEET NUMBER		
A3-SIZE		SERIES	1 OF 1		
208482		MATERIAL NUMBER	GENERAL MARKET		
SEE TABLE		CUSTOMER			