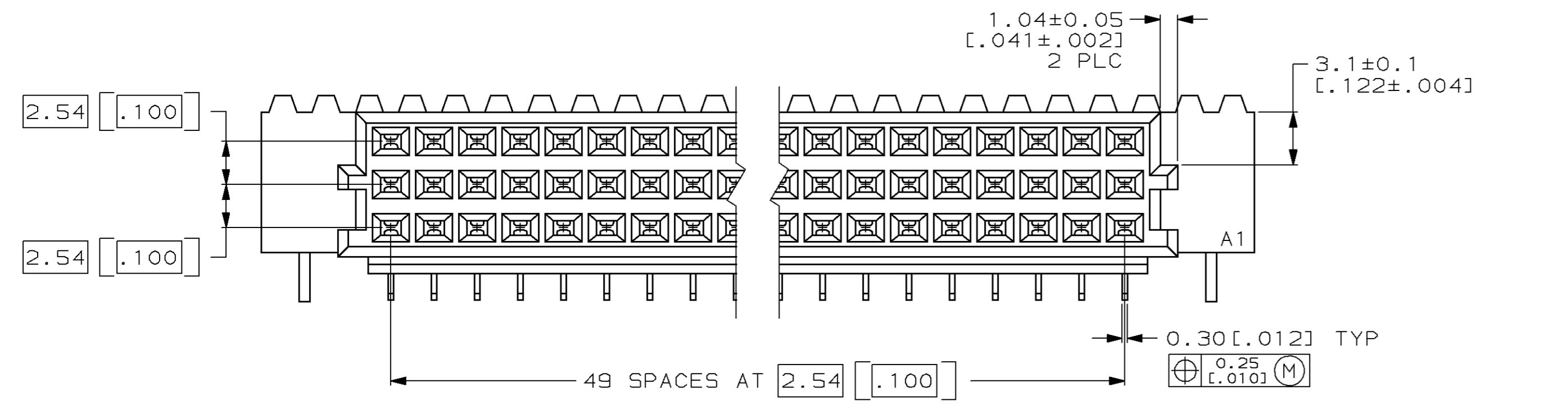
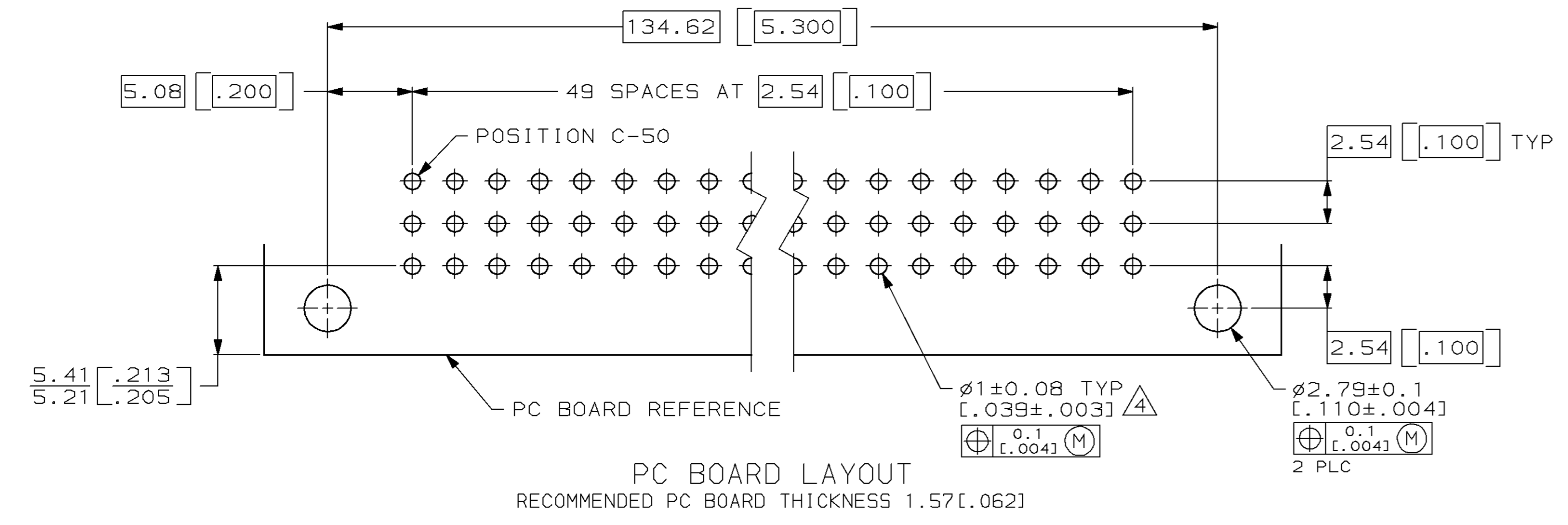
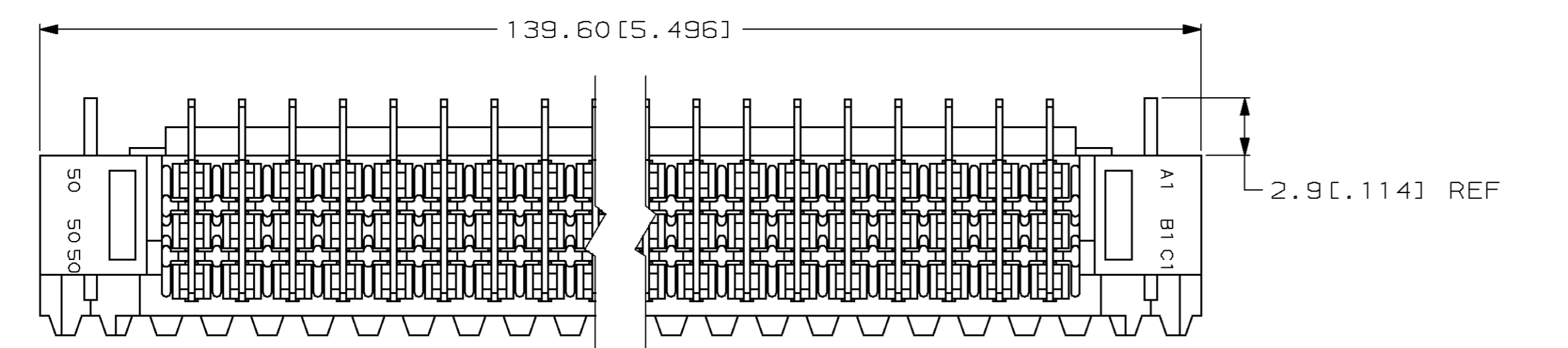
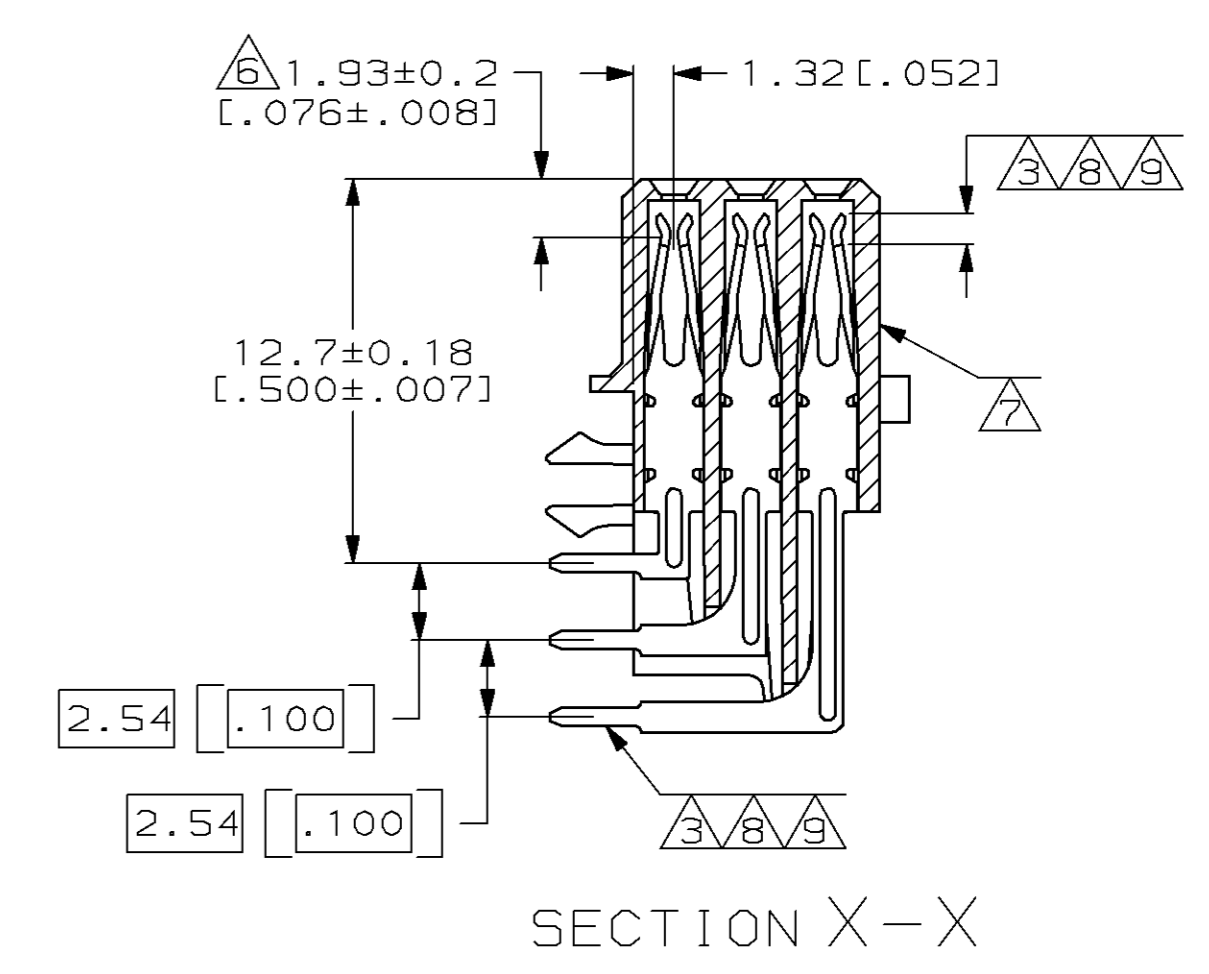
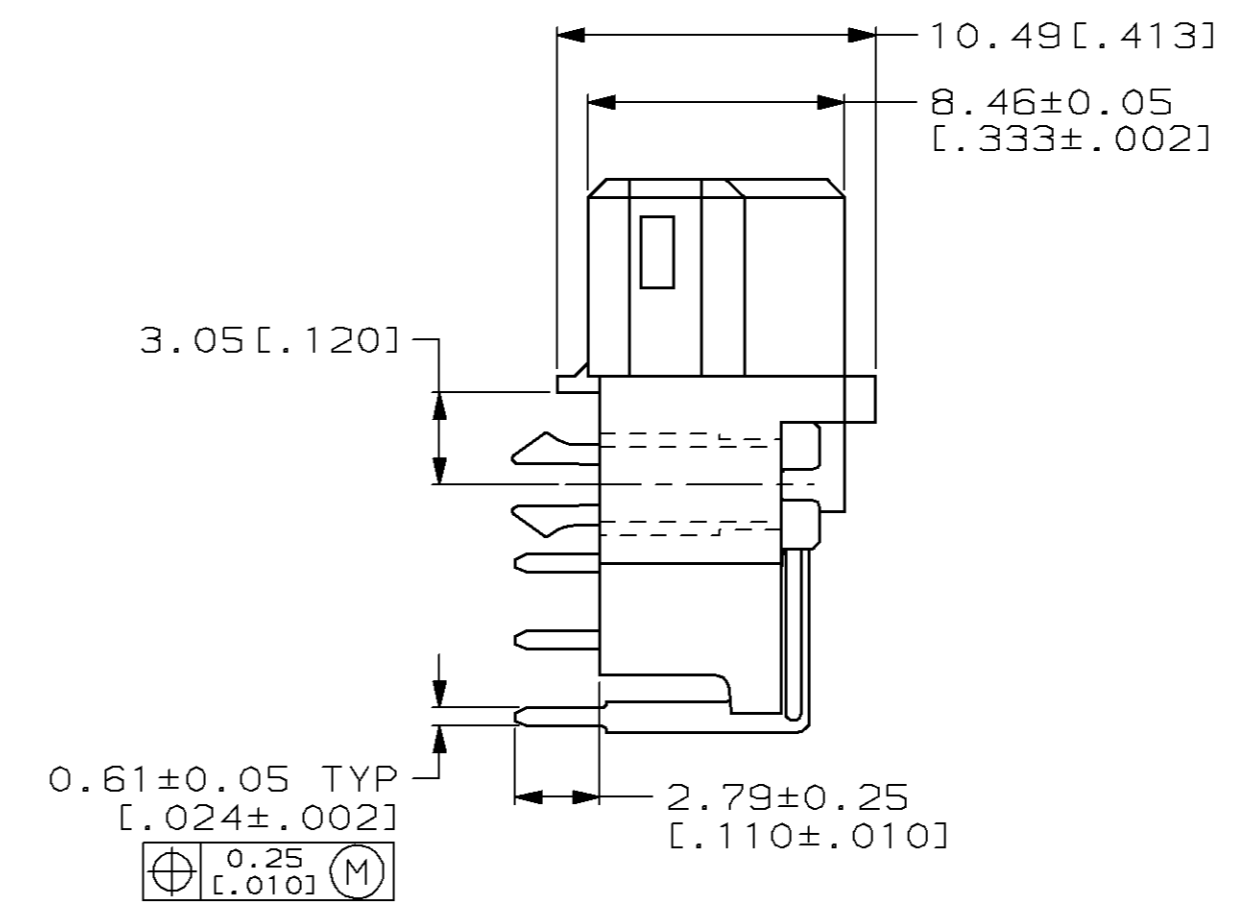
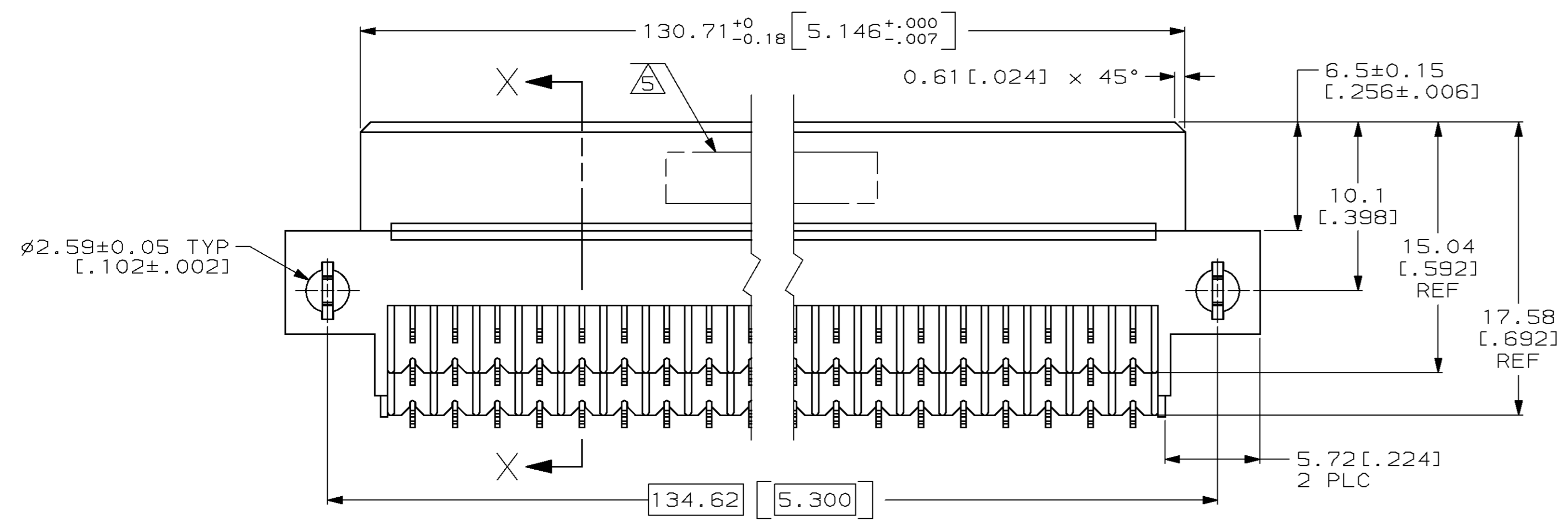


LOC		DIST		P		ZONE		LTR		REVISIONS		
AD	25									DESCRIPTION	DATE	APPD
										K EC 0504-0052-96	6/27/97	CR



- ① HOUSING MATERIAL: GLASS-FILLED POLYESTER. COLOR: GRAY.
- ② CONTACT MATERIAL: PHOSPHOR BRONZE.
- ③ CONTACT FINISH: 0.00076[.000030] GOLD IN CONTACT AREA. 0.00127[.000050] NICKEL UNDERPLATE ALL OVER. TIN-LEAD ON POSTS.
- ④ RECOMMENDED HOLE SIZE FOR MANUAL APPLICATION OF CONNECTOR ONTO PC BOARD.
- ⑤ PART NUMBER, DATE CODE IDENTIFICATION, CSA LOGO HOT-STAMPED THIS APPROXIMATE AREA.
- ⑥ POINT OF MEASUREMENT FOR GOLD.
- ⑦ CONTACT POINT.
- ⑧ CONTACT FINISH: 0.00020[.000008] GOLD IN CONTACT AREA. 0.00127[.000050] NICKEL UNDERPLATE ALL OVER. TIN-LEAD ON POSTS.
- ⑨ CONTACT FINISH: DIN 41612 CLASS 2 IN CONTACT AREA. TIN-LEAD ON POSTS.



SUPERSEDED BY 650959-5	⑧	1 THRU 50	X	X	X	150	650959-9
	⑨	1 THRU 50	X	X	X	150	650959-5
SUPERSEDED BY 650959-5	③	1 THRU 50	X	X	X	150	650959-4
POSITIONS LOADED			C	B	A	NO. OF LOADED POSITION	ASSY PART NUMBER

DO NOT SCALE PRINT. UNLESS SPECIFIED DIMENSIONS IN mm [INCHES] TOLERANCES ON:	DR L. BRINER 1/22/91	AMP INCORPORATED Harrisburg, Pa. 17105
1 PLC DEC ± -	CHK N. DRASHER 1/22/91	
2 PLC DEC ± 0.13[.005]	APPD N. DRASHER 1/22/91	NAME RECEPTACLE ASSEMBLY, EUROCARD, TYPE "R" WITH BOARD LOCKS
ANGLES ± -	APPD N. DRASHER 1/22/91	
MATERIAL	APPD K.R. PARMER 1/22/91	PRODUCT SPEC
HOUSING: ①		
CONTACT: ②		
FINISH	APPLICATION SPEC	SIZE D
CONTACT: ③⑧⑨		CAGE CODE 00779
	WEIGHT	DRAWING NO 650959
		SCALE 4:1
		SHEET 1 OF 1