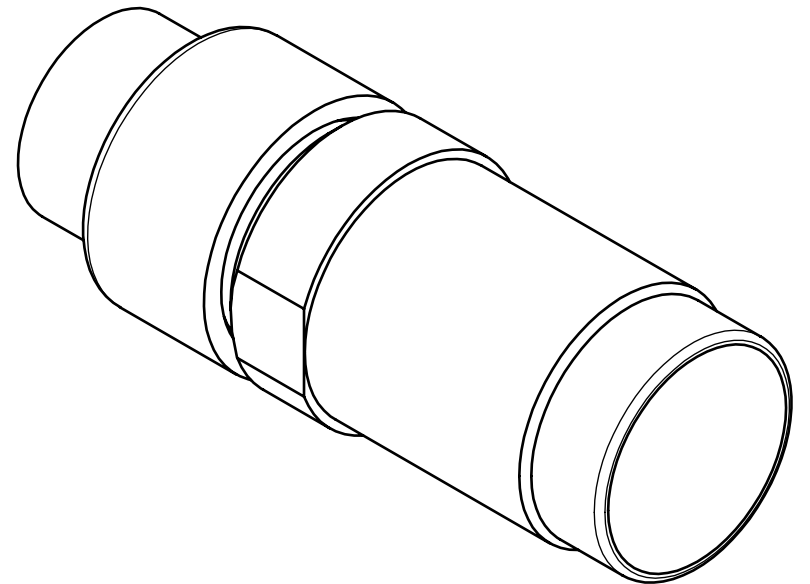
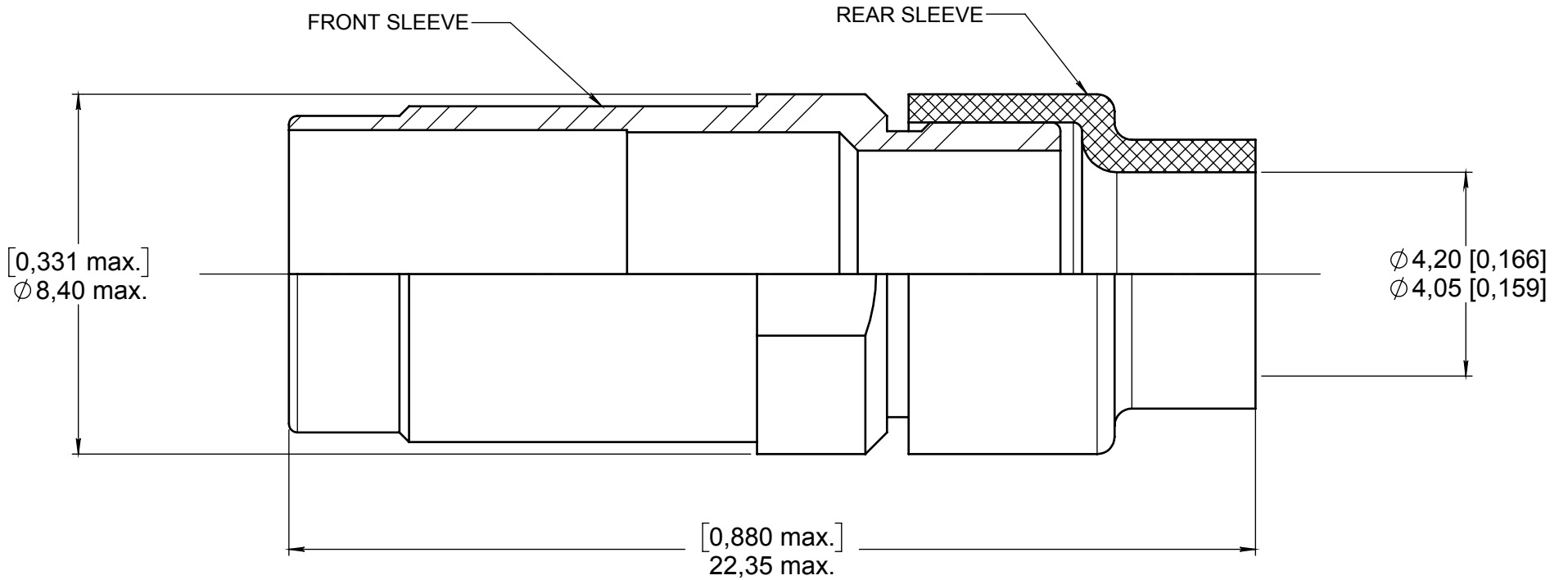


Series
EPXB
SEALING BOOT FOR SIZE 5 CAVITY
 FOR BMS 13-48 T10 C01 G08, BMS 13-58 T01 C01 G08, RG142, RG400 & M22759/34-8-9 CABLES

Issue:
 Jul. 12, 2018

Page
1/1

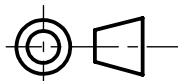
This document contains proprietary information and such information shall not be disclosed to any third party for any purpose whatsoever or used for manufacturing purposes without prior written agreement from RADIALL. This information is given as an indication. In the continual goal to improve our products, we reserve the right to make any modifications judged necessary.


MATERIALS :

- REAR SLEEVE : Fluorosilicone per MIL-R-25988 B except 4.6.6.1.
- FRONT SLEEVE : Thermoplastic per ASTM-D-4067.

NOTE :

- Sealing boot designed for cables from Ø4.79 [.189] to Ø5.76 [.227] diameter.

DIMENSIONS : mm (inch are given for information only)


Estimated weight : 0.60 g

CREATION PEN: M030400061A NOM: L.Garcia DATE: June 26, 03 APPR.: C.Lahoreau				
	Jul. 12, 18	Correction on dimension in inch for 4,20 [0,166]	Lopez C.	Weihs H.
	Mar 25, 13	TDS corrected : Spl Boeing removed	Pailot N	Le Gloahec Y
	Feb 13, 13	TDS title & note updated	Pailot N	Le Gloahec Y
	Dec 17, 12	Modification of front sleeve material	DELCLAUD	Le Gloahec Y
	Issue	Revisions	Name	Approved