

Ratings

Temperature: -40 ~ 70 °C
Voltage: 150 V

Conductor

Gauge: 24 AWG 0.21 mm²
Material: tinned copper strands
Strand size: $\varnothing 0.08 \times 41$
Resistance at 20 °C: 95 Ω /km max

Insulator

Material: HDPE
Color: blue, yellow, white, black, red
Diameter: $\varnothing 1.05 \pm 0.10$ mm
Nominal thickness: 0.15 mm
Resistance at 20 °C: 1000 M Ω /km min

Shield

Type: spiral
Material: tinned copper strands
Stranding: $\varnothing 0.08$ mm
Coverage: 90 % min

Outer jacket

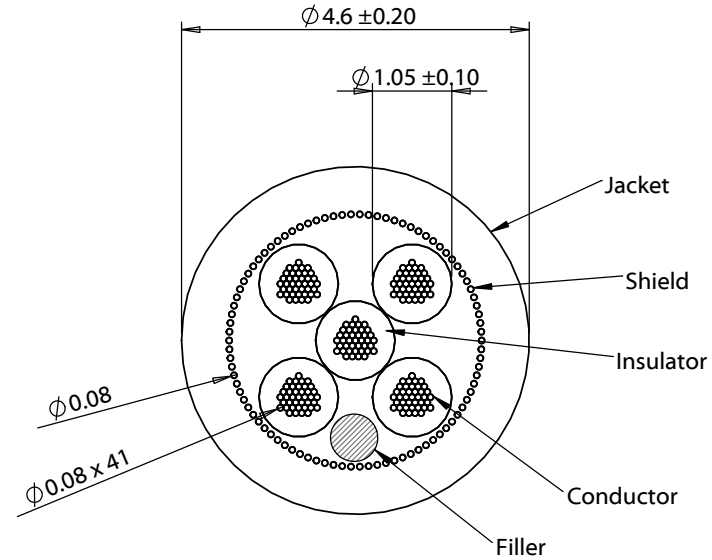
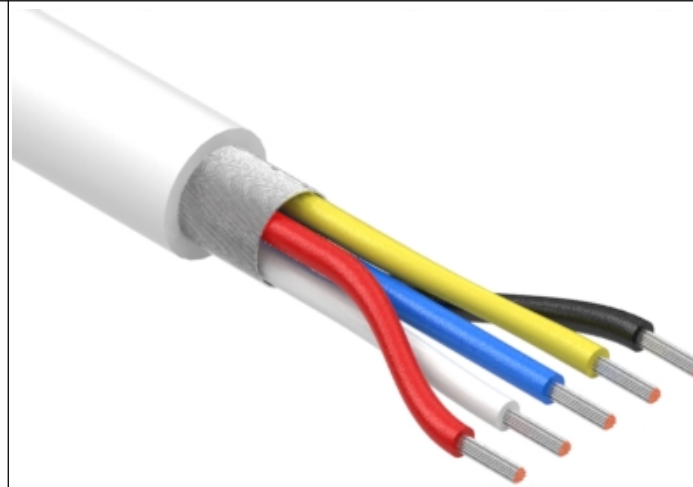
Material: TPU
Color: white (Cool Gray 1C)
Nominal thickness: 0.50 mm
Diameter: $\varnothing 4.6 \pm 0.20$ mm

Filler

Material: aramid fiber

Tests

Tensile strength: 35.7 kgf
Dielectric test: 1500 V dc for 1 minute without breakdown
Bend test at 200 g, $\pm 90^\circ$, 30 cycles /min: 15,000 cycle minimum



Revision:	Date:	Description:
A	10/11/2018	Initial release
A1	1/18/2019	Changed filler material to generic name

Prepared: PS
Digitally signed by PS
Date: 2019.07.02 14:32:43 -07'00'

Verified: GL
Digitally signed by GL
Date: 2019.07.02 15:21:14 -07'00'

Dimensions are in millimeters.
Tolerances:
X: ± 0.5 mm
X.X: ± 0.3 mm
X.XX: ± 0.05 mm

Notes:
RoHS compliant
Jacket meets ISO 10993 Biological Compatibility
Phthalate and halogen free
Function test: no open, no short, no intermittent

Description:
Wire, 5C TS, 24 AWG, 150V, 70C, 4.6 mm, shielded, TPU, 75A, white, WBL

TENSILITY

tel 1.541.323.3228 800 877.670.7118
fax 1.541.323.4202 web tensility.com

Size: A	Part number: 30-01121
Scale: 10:1	Sheet 1 of 1