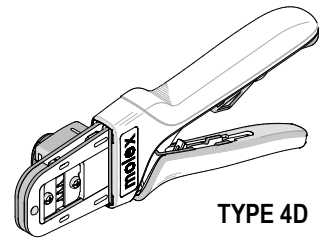




**HAND CRIMP  
TOOL**

**Application Tooling  
Specification Sheet**



TYPE 4D

**Order No. 63828-1000**

**FEATURES**

- A full-cycle ratcheting hand tool ensures complete crimps
- Ergonomic soft grip handles for comfortable crimping
- A precision user-friendly terminal locator wire stop holds terminals in the proper crimping position
- Right- and left-handed applications
- This tool is IPC/WHMA-A-620 Class 2 compliant, as indicated on pages 2 and 3
- This tool is RoHS compliant; however, RoHS compliance is not required

**SCOPE**

**Products:** Standard .093" Pin and Socket Crimp Terminals, 18 AWG stranded wire.

| Terminal Series No. | ◇ Terminal Order No. |            | Wire Size |                 | ◆ Insulation Diameter |           |              |          | Strip Length |         |
|---------------------|----------------------|------------|-----------|-----------------|-----------------------|-----------|--------------|----------|--------------|---------|
|                     |                      |            |           |                 | IPC/WHMA-A-620 (1)    |           | Terminal (2) |          |              |         |
|                     | Loose Piece          | Reel (3)   | AWG       | mm <sup>2</sup> | mm                    | In.       | mm           | In.      | mm           | In.     |
| 2273                | 02-09-1123           | 02-09-1122 | 18        | N/A             | 1.70-2.85             | .067-.112 | 3.05 Max     | .120 Max | 4.0-5.0      | .16-.20 |

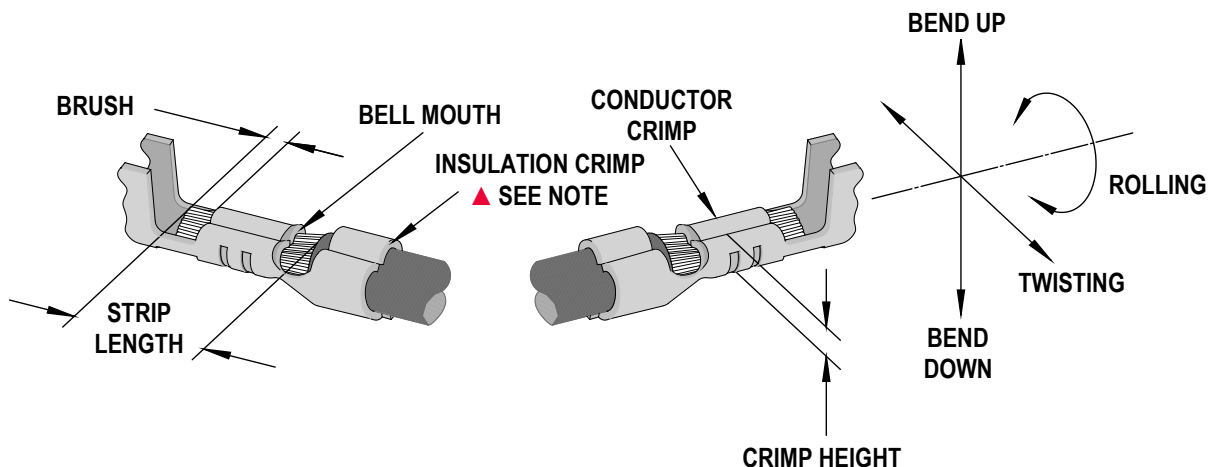
◆ **Insulation Diameter Notes**

- (1) Insulation diameter range for optimum (IPC/WHMA-A-620 Class 2) insulation crimps. Use tool profile specified on Page 3.
- (2) Insulation diameter range for the terminal product design.

◇ **Terminal Order No. Note**

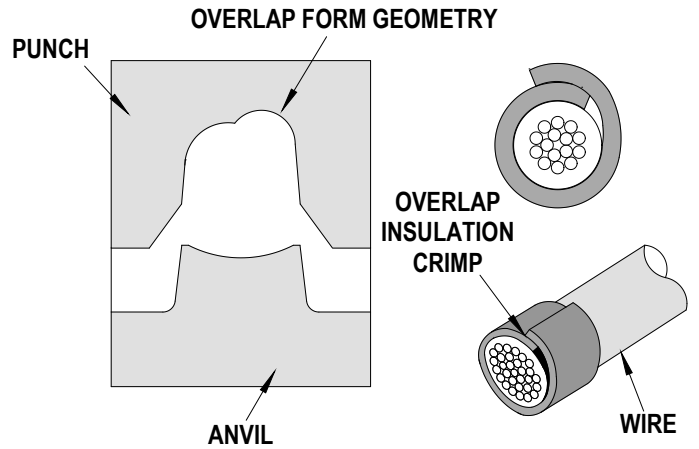
- (3) Reeled terminals must be properly cut from the reel. See Terminal Cutoff Specifications on Page 2.

**DEFINITION OF TERMS**



**▲ Insulation Crimp Note**

Due to the terminal's insulation grip design or insulation diameter range, this tool uses the overlap form geometry in the insulation punch. This produces an overlap insulation crimp (A-620-compliant). Although the insulation punch profile may appear lopsided, this is a normal condition for this tool. See figure to the right. Some tools with multiple crimp pockets may not have the overlap profile on all pockets.



**Terminal Cutoff Specifications**

This hand tool operates best with loose-piece terminals. If reeled terminals are used, they must be cut from the carrier strip as specified below:

| Terminal Series No. | Reeled Terminal Order No. | Cutoff Dimension "X" |           |
|---------------------|---------------------------|----------------------|-----------|
|                     |                           | mm                   | In.       |
| 2273                | 02-09-1122                | 3.53-3.69            | .139-.145 |



**2273 SERIES**

After crimping, the crimped terminal should measure as follows:

| Terminal Series No. | Wire Size |                 | Conductor    |           |                   |      | Pull Force Minimum |     |
|---------------------|-----------|-----------------|--------------|-----------|-------------------|------|--------------------|-----|
|                     |           |                 | Crimp Height |           | Crimp Width (Ref) |      |                    |     |
|                     | AWG       | mm <sup>2</sup> | mm           | In.       | mm                | In.  | N                  | Lb. |
| 2273                | 18        | N/A             | 1.22-1.28    | .048-.050 | 1.78              | .070 | 89                 | 20  |

To achieve IPC/WHMA-A-620 Class 2 insulation crimps, use the appropriate tool profile for the insulation diameter:

| Terminal Series No. | Wire Size |                 | UL Style (Ref) | Insulation Diameter Range |           | Insulation Crimp (Ref) |      |             |      | Tool Profile |   |   |
|---------------------|-----------|-----------------|----------------|---------------------------|-----------|------------------------|------|-------------|------|--------------|---|---|
|                     |           |                 |                |                           |           | Crimp Height           |      | Crimp Width |      |              |   |   |
|                     | AWG       | mm <sup>2</sup> |                | mm                        | In.       | mm                     | In.  | mm          | In.  | A            | B | C |
| 2273                | 18        | N/A             | 1061           | 1.70-2.00                 | .067-.079 | 2.56                   | .101 | 2.15        | .085 |              |   | X |
|                     |           |                 | 1007           | 1.80-2.10                 | .071-.083 | 2.60                   | .102 | 2.18        | .086 | X            |   |   |
|                     |           |                 | 1015           | 2.75-2.85                 | .108-.112 | 3.10                   | .122 | 3.08        | .121 |              | X |   |

Crimp attribute specifications:

| Terminal Series No. | Wire Size |                 | Bell Mouth |           | Brush     |           | Bend Up | Bend Down | Twist | Roll |
|---------------------|-----------|-----------------|------------|-----------|-----------|-----------|---------|-----------|-------|------|
|                     | AWG       | mm <sup>2</sup> | mm         | In.       | mm        | In.       |         |           |       |      |
| 2273                | 18        | N/A             | 0.20-0.50  | .008-.020 | 0.50-1.00 | .020-.040 | 3°      | 3°        | 4°    | 8°   |

**Tool Qualification Notes**

1. (Ref) means that the dimension provided is approximate because of the wide range of wires, conductor stranding, insulation diameter and insulation hardness.
2. An occasional pull force test should be performed. It must exceed the minimum pull force specification.
3. Pull force should be measured with no influence from the insulation crimp. To ensure this, strip the wire long enough so the terminal insulation grips do not contact the wire insulation.

## OPERATION



**CAUTION:** Crimp only the Molex terminals listed in the scope for this tool. Do not crimp hardened objects as damage can occur to the tool frame or crimp dies.

Open the tool by squeezing the handles together. At the end of the closing stroke, the ratchet mechanism will release the handles and the hand tool will spring open. See Figure 1.

## Crimping Terminals

1. Select the desired terminal listed in the preceding charts.
2. Make sure the center of the locator is in the down position. With the locator attached, push the locator button on the back of the hand tool to bring the locator forward through the tooling. See Figure 2.
3. While holding the locator button in, load the terminal into the proper nest opening in the locator based on the wire insulation diameter markings on the crimp jaws. See Figure 3.

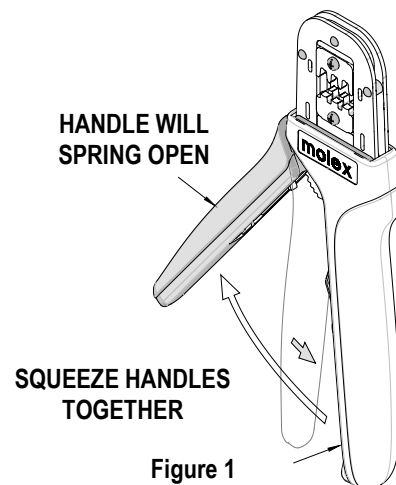


Figure 1

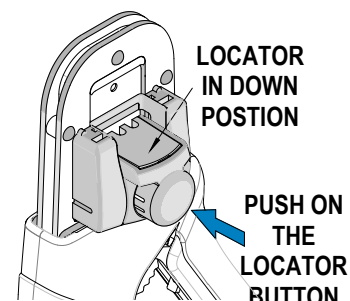


Figure 2

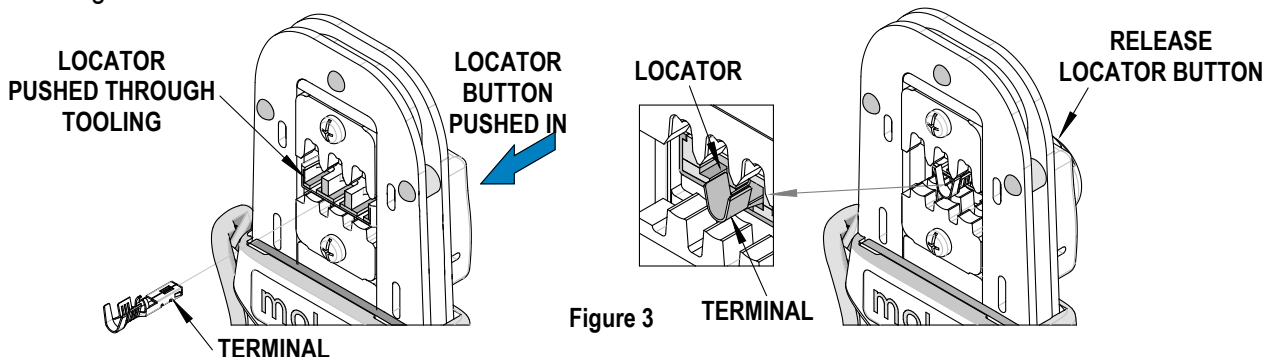


Figure 3

4. Release the locator button, allowing the locator to return to the crimping position.
5. Close the tool handle until the first ratchet position engages. See Figure 4.
6. Insert the properly stripped wire through the terminal and against the wire stop. See Figure 5.
7. Crimp the terminal by squeezing the tool handles until the ratchet mechanism cycle has been completed. Release the handles to open the jaws.

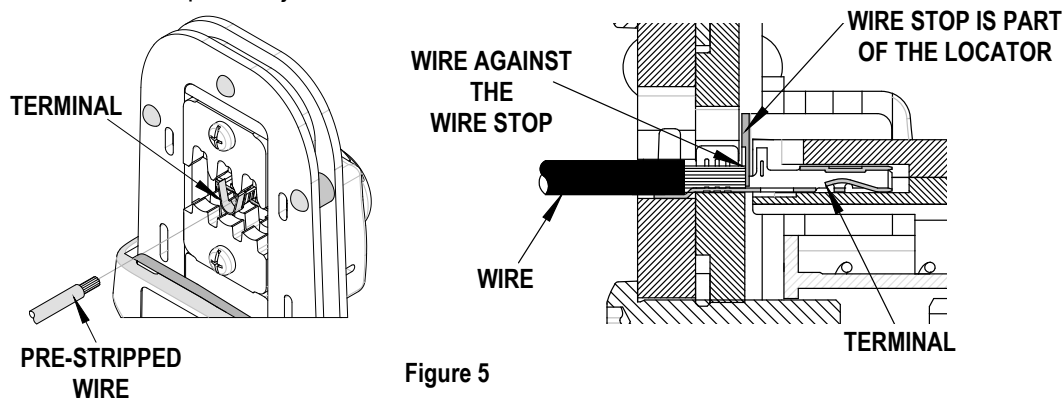


Figure 5

**Note:** The tamper-proof ratchet action will not release the tool until it has been fully closed.

8. Remove the crimped terminal from the terminal locator by pulling on the wire.
9. Visually inspect the crimped terminal for proper crimp location.
10. On some large O.D. wires, it may not be possible to insert the wire with the tool partially closed. Those wires should be inserted with the hand tool in the open position. Insert the wire above the terminal in the punch and against the wire stop, and then close the tool. See Figure 6.

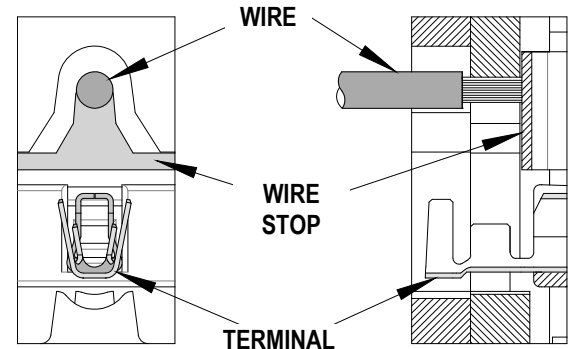


Figure 6

## Locator Replacement

See the parts list on the last page of this document for the proper locator order number. Follow the steps below to replace the locator:

1. Open the crimp hand tool.
2. Squeeze gently on the lower area shown in Figure 7A with your thumb and index finger. The lower tabs of the locator should disengage from the hand tool.

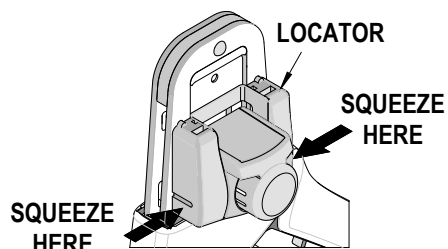
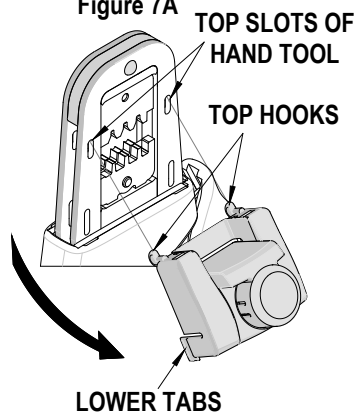


Figure 7A



MAKE SURE  
CENTER OF LOCATOR  
IS IN THE  
DOWN POSITION

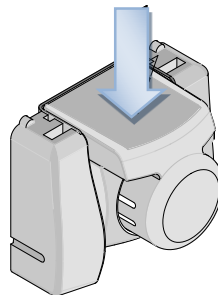


Figure 7B

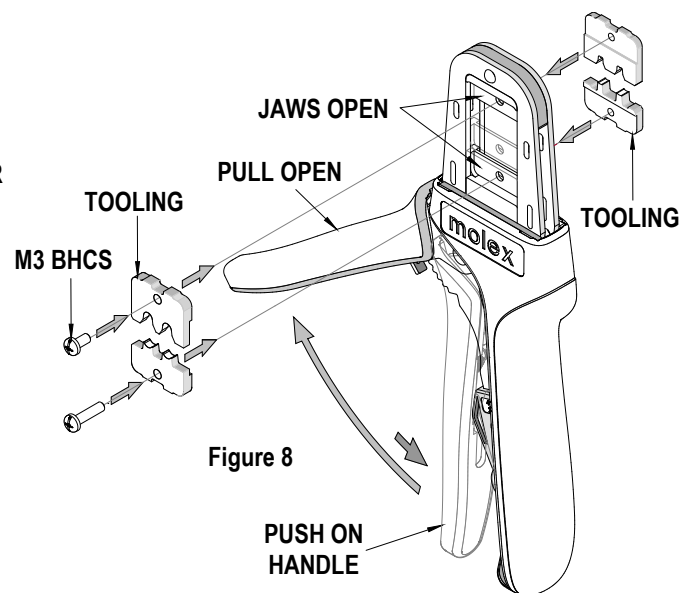


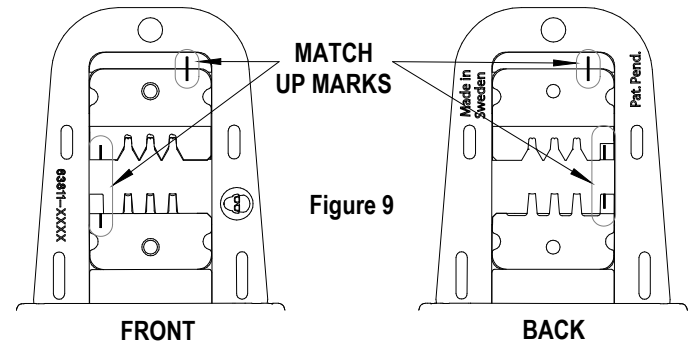
Figure 8

3. Lift and pull away from the hand tool. The top locator hooks should slip out of the top slots easily. See Figure 7A.
4. To reinstall the new locator, make sure the hand tool is in the open position.
5. Press the red insert down as far as it will go as shown in Figure 7B.
6. Holding onto the lower part of the locator with your thumb and index finger, insert the locator's top hooks (2) into the hand tool top slots.
7. Rotate the locator down, and press the lower tabs into the two bottom slots of the hand tool. To secure the locator into place, the lower tabs must snap into place on the hand tool frame.

## Right- or Left-Handed Operation

This hand tool has an added feature that can be converted from a right-handed application to a left-handed application. It is necessary to reverse the tooling if using the left-handed application along with the locator. Follow the steps below:

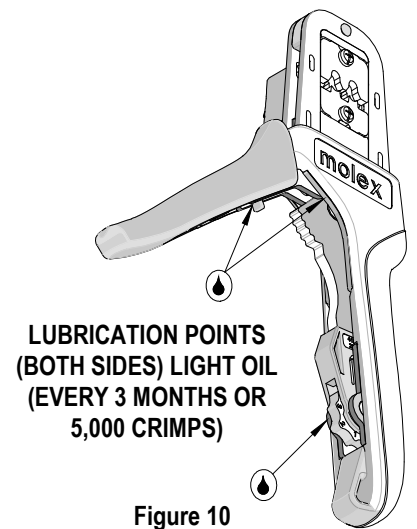
1. The locator must be removed before reversing the tooling.
2. Remove the M3 BHCS, which is holding the upper tooling.
3. Flip the upper tooling to the opposite side, and replace the M3 BHCS. Make sure the small markings on the front and back of the hand tool frame match up and are on the outside of the hand tool frame. See Figures 8 and 9.
4. Do the same thing with the lower tooling, and tighten the M3 screws. Be sure the small markings line up.
5. Reinstall the locator by following the instructions in the locator replacement section.



## Maintenance

It is recommended that each operator of the tool be made aware of and responsible for the following maintenance steps:

1. Remove dust, moisture and other contaminants with a clean brush or a soft, lint-free cloth.
2. Do not use any abrasive materials that could damage the tool.
3. Make certain all pins, pivot points and bearing surfaces are protected with a thin coat of high-quality machine oil. Do not oil excessively. The tool was engineered for durability, but like any other equipment, it needs cleaning and lubrication for a maximum service life of trouble-free crimping. Light oil such as 30 weight automotive oil used at the oil points every 5,000 crimps or 3 months will significantly enhance the tool life.
4. Wipe excess oil from hand tool, particularly from the crimping area. Oil transferred from the crimping area onto certain terminations may affect the electrical characteristics of an application.
5. When the tool is not in use, keep the handles closed to prevent objects from becoming lodged in the crimping dies, and store the tool in a clean, dry area.

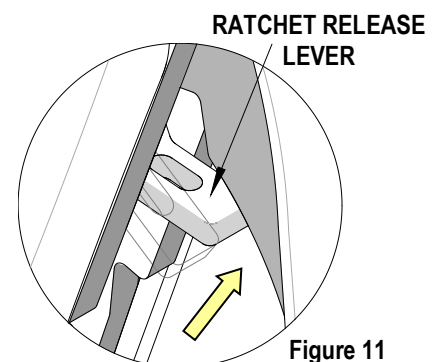


## Miscrimps or Jams

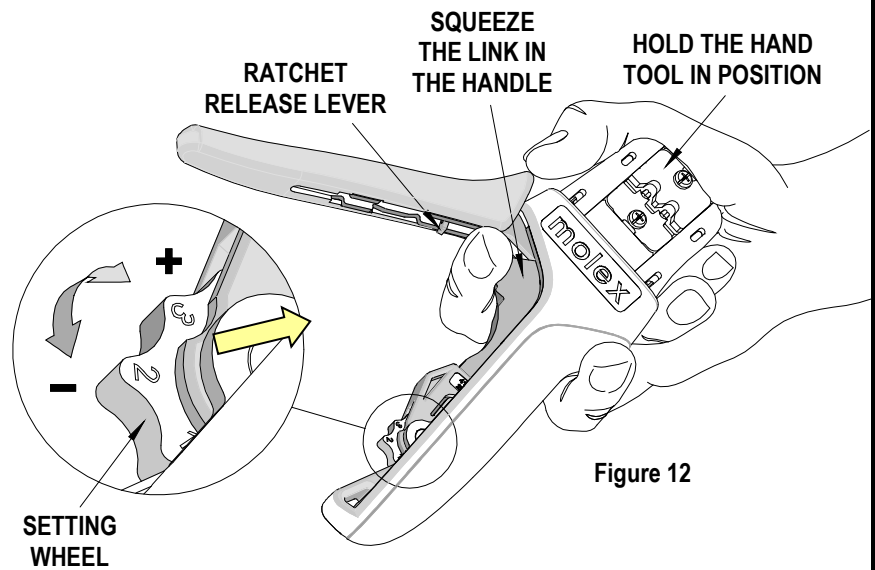
Should this tool ever become stuck or jammed in a partially closed position, **Do Not force the handles open or close.** The tool will open easily by pressing up on the ratchet release lever in the movable handle. See Figure 11.

## How to Adjust Tool Preload (See Figure 12)

This hand tool is factory preset to 25-45 pounds handle preload. It may be necessary over the life of the tool to adjust tool handle preload force. Listed below are the steps required to adjust the crimping force of the hand tool to obtain proper crimp conditions:



1. Hold the hand tool in the palm of your hand as shown in Figure 12. Using your index finger, squeeze the link toward the top of the hand tool frame. This will release the preload adjustment wheel.
2. Rotate the setting wheel counterclockwise (CCW) to increase handle force. The numbers will display higher. To decrease handle force, rotate the setting wheel clockwise (CW).
3. Release the link to lock the setting wheel in place.
4. Check the crimp specifications or conduct a pull test after tool handle preload force is adjusted.



## Warranty

This tool is for electrical terminal crimping purposes only. This tool is made of the best quality materials. All vital components are long-life tested. All tools are warranted to be free of manufacturing defects for a period of 30 days. Should such a defect occur, Molex will repair or exchange the tool free of charge. This repair or exchange will not be applicable to altered, misused or damaged tools. This tool is designed for hand use only. Any clamping, fixturing or use of handle extensions voids this warranty.

**CAUTION:** Molex crimp specifications are valid only when used with Molex terminals and tooling.

## CAUTIONS:

1. Manually powered hand tools are intended for low-volume use or field repair. This tool is **NOT** intended for production use. Repetitive use of this tool should be avoided.
2. Insulated rubber handles are not protection against electrical shock.
3. Wear eye protection at all times.
4. Use only the Molex terminals specified for crimping with this tool.

## Certification

Molex does not certify or recertify hand tools but rather supplies the following guidelines for customers to recertify hand tools:

- This tool is qualified to pull force only. See the Molex website for the Quality Crimp Handbook for more information on pull testing.
- If the tool does not meet minimum pull force values, handle preload should be increased and the pull test should be rerun (See How to Adjust Preload).
- When the hand tool is no longer capable of achieving minimum pull force, it should be taken out of service and replaced.



**PARTS LIST**

| Item Number | Order Number | Description      | Quantity  |
|-------------|--------------|------------------|-----------|
| REF         | 63828-1000   | Hand Crimp Tool  | Figure 13 |
| 1           | 63828-1075   | Locator Assembly | 1         |
| 2           | 63810-0104   | Spring, Return   | 1         |
| 3           | 63810-0105   | Spring, Ratchet  | 1         |

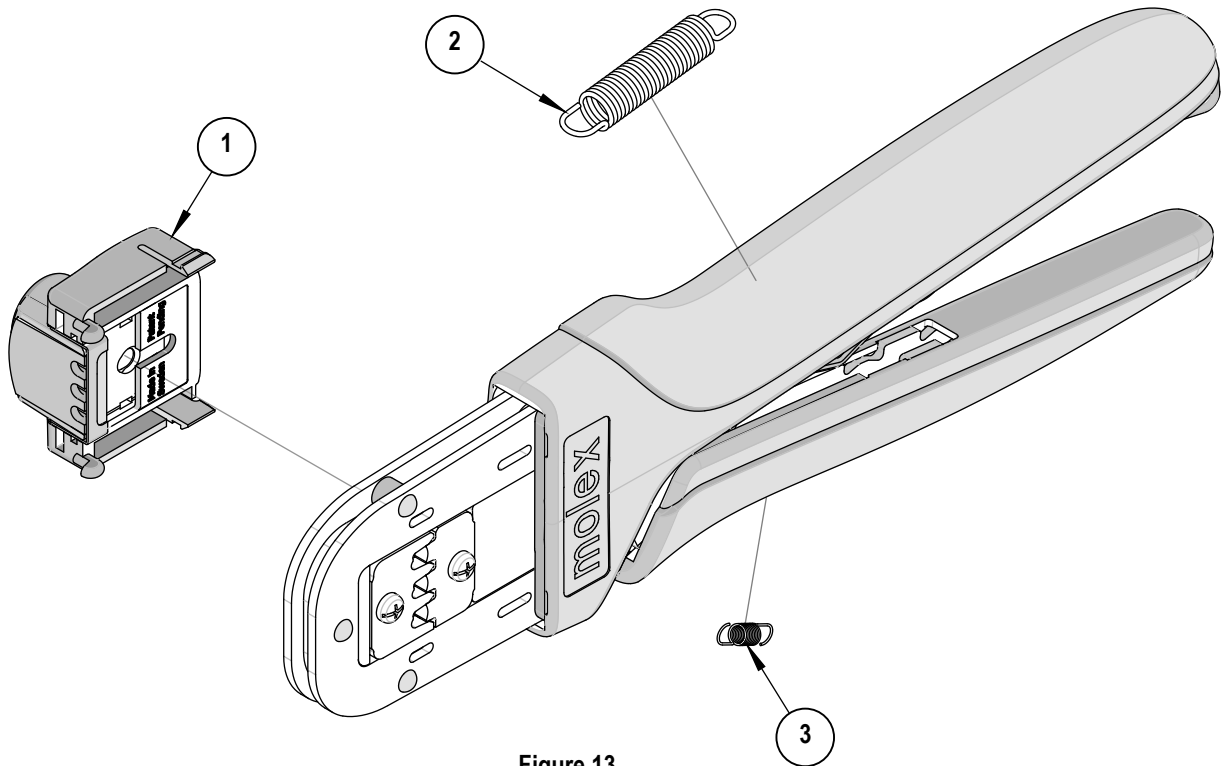


Figure 13

**Application Tooling Support**

**Phone:** (402) 458-TOOL (8665)  
**E-Mail:** [applicationtooling@molex.com](mailto:applicationtooling@molex.com)  
**Website:** [www.molex.com/applicationtooling](http://www.molex.com/applicationtooling)

Molex is a registered trademark of Molex, LLC in the United States of America and may be registered in other countries; all other trademarks listed herein belong to their respective owners.