



② ハウジング
HOUSING



① ターミナル
TERMINAL

| | | | |
|-----|----|----|--------------------|
| 9.2 | 38 | 42 | 40 |
| 9.2 | 36 | 40 | 38 |
| 9.2 | 34 | 38 | 36 |
| 9.2 | 32 | 36 | 34 |
| 9.2 | 30 | 34 | 32 |
| 9.2 | 28 | 32 | 30 |
| 9.2 | 26 | 30 | 28 |
| 9.2 | 24 | 28 | 26 |
| 9.2 | 22 | 26 | 24 |
| 9.2 | 20 | 24 | 22 |
| 9.2 | 18 | 22 | 20 |
| 9.2 | 16 | 20 | 18 |
| 9.2 | 14 | 18 | 16 |
| 9.2 | 12 | 16 | 14 |
| 9.2 | 10 | 14 | 12 |
| 7.3 | 8 | 12 | 10 |
| C | B | A | 極数 CIRCUIT SIZE |

△ TABLE 1

| 番号 No. | 部品 PART | 材質 MATERIAL | |
|-----------|-------------------|--|--|
| ① | ターミナル TERMINAL | 黄銅, BRASS | |
| | | 下地めっき UNDER PLATING | ニッケルめっき 1 micro-meter MIN NICKEL PLATING 1 micro-meter MIN |
| | | コンタクト CONTACT | 金めっき 0.1/0.38/0.76 micro-meters MIN GOLD PLATING 0.1/0.38/0.76 micro-meters MIN |
| | | テール SOLDER TAIL | 無光沢錫めっき 1 micro-meter MIN MATTE TIN PLATING 1 micro-meter MIN |
| ② | ハウジング HOUSING | ポリアミド(PA)ガラス入り, UL94V-0, 色 : SEE CHART POLYAMIDE(PA) GLASS FILLED, UL94V-0, COLOR : SEE CHART | |

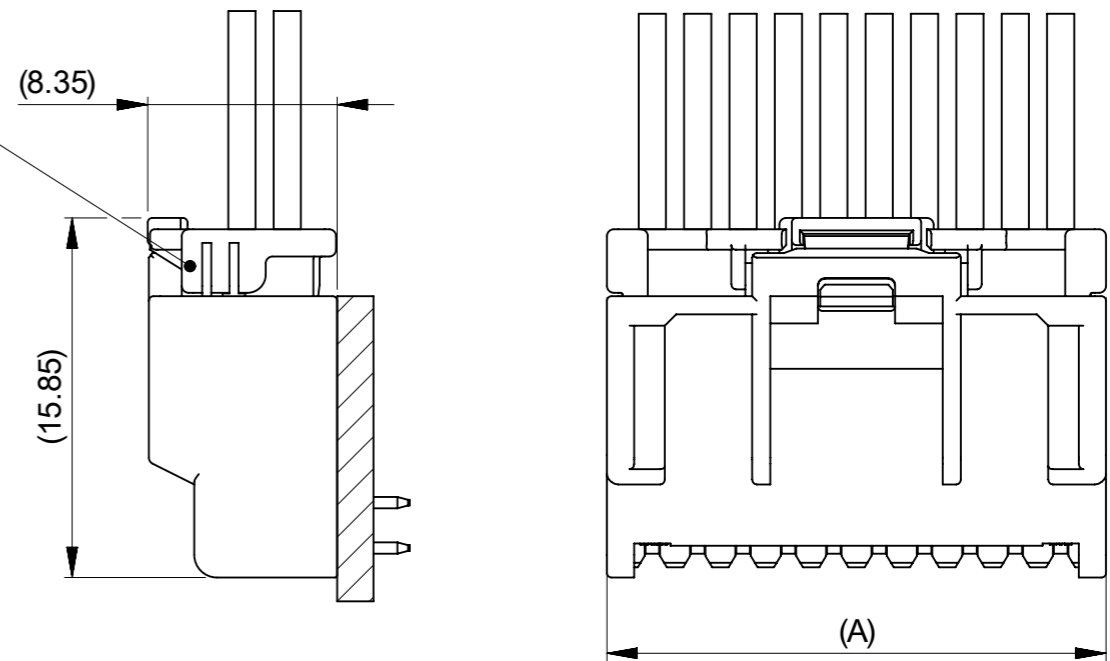
THIS DRAWING CONTAINS INFORMATION THAT IS PROPRIETARY TO MOLEX ELECTRONIC TECHNOLOGIES, LLC AND SHOULD NOT BE USED WITHOUT WRITTEN PERMISSION

| | | | | | |
|--|---------|---------------------------|--|-----------------|----------|
| DIMENSION UNITS | SCALE | CURRENT REV DESC: REVISED | molex | | |
| mm | NTS | | | | |
| GENERAL TOLERANCES (UNLESS SPECIFIED) | | | IGRID 2.0 WIRE TO BOARD RIGHT ANGLE TH PLUG ASSEMBLY GOLD PLATING | | |
| ANGULAR TOL | ± 3.0 ° | EC NO: 721018 | PRODUCT CUSTOMER DRAWING | | |
| 4 PLACES | ± 0.2 | DRWN: HHUSSIN | 2022/09/06 | | |
| 3 PLACES | ± 0.2 | CHK'D: SAKIYAMA | 2022/11/21 | | |
| 2 PLACES | ± 0.2 | APPR: AIDA | 2022/11/21 | | |
| 1 PLACE | ± 0.2 | INITIAL REVISION: | | | |
| 0 PLACES | ± 0.2 | DRWN: SNAKAMURA08 | 2019/10/08 | DOCUMENT NUMBER | DOC TYPE |
| DRAFT WHERE APPLICABLE MUST REMAIN WITHIN DIMENSIONS | | | 2020/03/18 | 2086590000-SD | PSD |
| THIRD ANGLE PROJECTION | | | DRAWING | SERIES | DOC PART |
| A3-SIZE | | | 208659 | CUSTOMER | REVISION |
| SEE CHART | | | GENERAL | 1 OF 4 | |

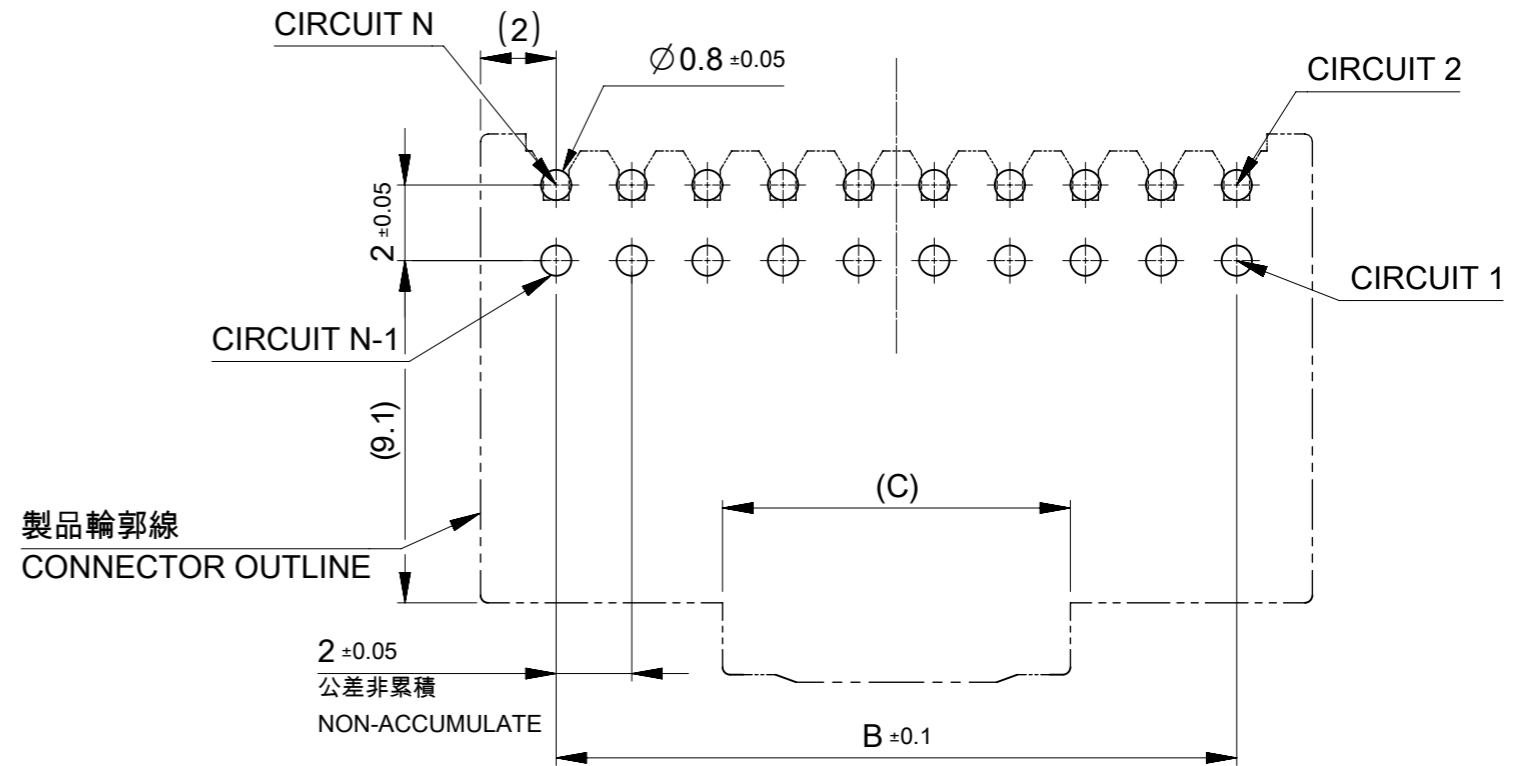
NOTES.

- 1 材料及び仕上げ(めっき仕様) : TABLE 1 参照
MATERIAL AND FINISHES : SEE TABLE 1
- 2 適用製品及び各種仕様書はSHEET 3を御参照ください。
PLEASE REFER TO SHEET 3 ABOUT APPLICABLE PRODUCTS AND VARIOUS SPECIFICATIONS.
- 3. 本製品は金めっき品です。錫めっき品は5018760000-SD/PSD/000を御参照ください。
THIS PRODUCT IS A GOLD PLATING. FOR TIN PLATING PRODUCT,
PLEASE REFER TO 5018760000-SD/PSD/000.
- 4 極数/2 = 偶数に適用
APPLY FOR CIRCUIT SIZE / 2 =EVEN
- 5. ソルダーテール部に錫めっきを使用している為、外観に摺動痕が付く場合があります。
THE WOUND OF FRICTION MIGHT ADHERE TO EXTERNALS
BECAUSE THE TIN PLATING IS USED IN SOLDER-TAIL PART.
- 6 発注番号 : SHEET 4 参照
ORDER No. : PLEASE REFER TO SHEET 4 FOR PRODUCT LIST

嵌合相手 501646 SERIES
MATE WITH : 501646 SERIES



嵌合図
MATED CONNECTORS



製品輪郭線
CONNECTOR OUTLINE

基板取付穴推奨寸法(マウント面)
RECOMMENDED PCB HOLE DIMENSION (MOUNTING SIDE)
参考基板厚 t=1.2~1.6
REFERANCE PCB THICKNESS t=1.2~1.6

| | | |
|--------------------|------|---------------------------------|
| 208659 | **** | ハウジングカラー HOUSING COLOR |
| 極数 CIRCUIT SIZE | | 0:ナチュラル NATURAL (白 WHITE) |
| | | 1:黒 BLACK |
| | | 金めっき厚 GOLD PLATING THICKNESS |
| | | 4 : 0.1 micro-meters MIN |
| | | 6 : 0.38 micro-meters MIN |
| | | 7 : 0.76 micro-meters MIN |

| | | | | | | | | | |
|---|--|---------|--|------------------------------|--|-----------|--|---|--|
| THIS DRAWING CONTAINS INFORMATION THAT IS PROPRIETARY TO MOLEX ELECTRONIC TECHNOLOGIES, LLC AND SHOULD NOT BE USED WITHOUT WRITTEN PERMISSION | | | | | | | | | |
| DIMENSION UNITS | | SCALE | | CURRENT REV DESC: REVISED | | | | molex | |
| mm | | NTS | | | | | | | |
| GENERAL TOLERANCES (UNLESS SPECIFIED) | | | | | | | | | |
| ANGULAR TOL | | ± 3.0 ° | | EC NO: 721018 | | | | IGRID 2.0 WIRE TO BOARD | |
| 4 PLACES | | ± 0.2 | | DRWN: HHUSSIN 2022/09/06 | | | | RIGHT ANGLE TH PLUG ASSEMBLY GOLD PLATING | |
| 3 PLACES | | ± 0.2 | | CHK'D: SAKIYAMA 2022/11/21 | | | | PRODUCT CUSTOMER DRAWING | |
| 2 PLACES | | ± 0.2 | | APPR: AIDA 2022/11/21 | | | | DOCUMENT NUMBER | |
| 1 PLACE | | ± 0.2 | | INITIAL REVISION: | | | | DOC TYPE | |
| 0 PLACES | | ± 0.2 | | DRWN: SNAKAMURA08 2019/10/08 | | | | DOC PART | |
| DRAFT WHERE APPLICABLE MUST REMAIN WITHIN DIMENSIONS | | | | THIRD ANGLE PROJECTION | | DRAWING | | SERIES | |
| | | | | A3-SIZE | | 208659 | | MATERIAL NUMBER | |
| | | | | | | SEE CHART | | CUSTOMER | |
| | | | | | | GENERAL | | SHEET NUMBER | |
| | | | | | | 2 OF 4 | | | |

△₃ 適用製品及び各種仕様書
 APPLICABLE PRODUCTS AND VARIOUS SPECIFICATIONS

| | | |
|----------------------------------|-------------|-----------------------|
| 梱包仕様書 PACKAGING SPECIFICATION | PART NUMBER | DOCUMENT NUMBER |
| | 208659 **** | 2086599200-SPK PS 200 |

| | | |
|--|----------------------|-------------------------|
| 適用嵌合相手 MATE WITH | HOUSING | TERMINAL (GOLD PLATING) |
| シリーズ番号 SERIES NUMBER | 501646 SERIES | #22-28 |
| 製品仕様書 PRODUCT SPECIFICATION | 5016460000-PS PS 000 | |
| アプリケーション仕様書 APPLICATION SPECIFICATION | 5016460000 PS A00 | |

| | | | | | | | | | | | | | |
|---|---------|--|--|---------|--|--|--|--|--|----------|----------|----------|--|
| THIS DRAWING CONTAINS INFORMATION THAT IS PROPRIETARY TO MOLEX ELECTRONIC TECHNOLOGIES, LLC AND SHOULD NOT BE USED WITHOUT WRITTEN PERMISSION | | | | | | | | | | | | | |
| DIMENSION UNITS | SCALE | CURRENT REV DESC: REVISED | | | | molex | | | | | | | |
| mm | NTS | | | | | IGRID 2.0 WIRE TO BOARD RIGHT ANGLE TH PLUG ASSEMBLY GOLD PLATING | | | | | | | |
| GENERAL TOLERANCES (UNLESS SPECIFIED) | | EC NO: 721018 DRWN: HHUSSIN 2022/09/06 CHK'D: SAKIYAMA 2022/11/21 APPR: AIDA 2022/11/21 INITIAL REVISION: DRWN: SNAKAMURA08 2019/10/08 APPR: KOMURAKAMI 2020/03/18 | | | | PRODUCT CUSTOMER DRAWING | | | | | | | |
| ANGULAR TOL | ± 3.0 ° | | | | | DOCUMENT NUMBER | | | | DOC TYPE | DOC PART | REVISION | |
| 4 PLACES | ± 0.2 | | | | | 2086590000-SD | | | | PSD | 000 | B | |
| 3 PLACES | ± 0.2 | | | | | MATERIAL NUMBER | | | | CUSTOMER | | | |
| 2 PLACES | ± 0.2 | | | | | SEE CHART | | | | GENERAL | | | |
| 1 PLACE | ± 0.2 | SERIES | | | | SHEET NUMBER | | | | | | | |
| 0 PLACES | ± 0.2 | A3-SIZE 208659 | | | | 3 OF 4 | | | | | | | |
| DRAFT WHERE APPLICABLE MUST REMAIN WITHIN DIMENSIONS | | THIRD ANGLE PROJECTION | | DRAWING | | | | | | | | | |

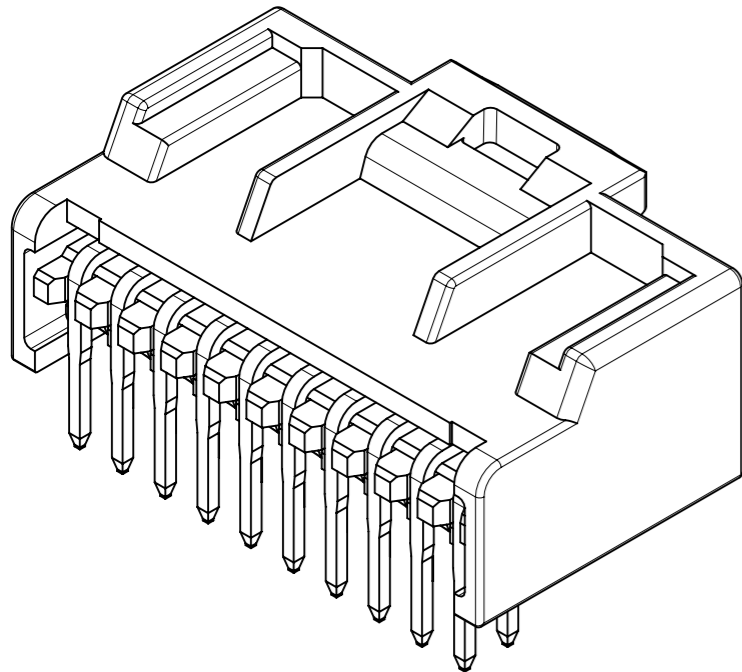
| | | | | |
|-----------------|----|--------------|------------|----------|
| DOCUMENT STATUS | P1 | RELEASE DATE | 2022/11/21 | 12:10:24 |
|-----------------|----|--------------|------------|----------|

製品形状
PRODUCT SHAPE

10, 12 極
10, 12 CIRCUIT



14 - 40 極
14 - 40 CIRCUIT



製品一覧 PRODUCT LIST

| 0.76 micro-meters MIN | | 0.38 micro-meters MIN | | 0.1 micro-meters MIN | | 接点部金めっき厚 GOLD PLATING THICKNESS ON CONTACT AREA |
|------------------------|--------------------------------|-----------------------|--------------------------------|----------------------|--------------------------------|--|
| 黒 : BLACK | ナチュラル : NATURAL (白 : WHITE) | 黒 : BLACK | ナチュラル : NATURAL (白 : WHITE) | 黒 : BLACK | ナチュラル : NATURAL (白 : WHITE) | HOUSING COLOR |
| 208659 4071 | 208659 4070 | 208659 4061 | 208659 4060 | 208659 4041 | 208659 4040 | 40 |
| ↑ 3871 | ↑ 3870 | ↑ 3861 | ↑ 3860 | ↑ 3841 | ↑ 3840 | 38 |
| | 3671 | | 3661 | | 3641 | 36 |
| | 3471 | | 3461 | | 3441 | 34 |
| | 3271 | | 3261 | | 3241 | 32 |
| | 3071 | | 3061 | | 3041 | 30 |
| | 2871 | | 2861 | | 2841 | 28 |
| | 2671 | | 2661 | | 2641 | 26 |
| | 2471 | | 2461 | | 2441 | 24 |
| | 2271 | | 2261 | | 2241 | 22 |
| | 2071 | | 2061 | | 2041 | 20 |
| | 1871 | | 1861 | | 1841 | 18 |
| | 1671 | | 1661 | | 1641 | 16 |
| | 1471 | | 1461 | | 1441 | 14 |
| ↓ 1271 | ↓ 1270 | ↓ 1261 | ↓ 1260 | ↓ 1241 | ↓ 1240 | 12 |
| 208659 1071 | 208659 1070 | 208659 1061 | 208659 1060 | 208659 1041 | 208659 1040 | 10 |
| 発注番号 ORDER No. | | | | | | 極数 |
| PACKAGING STYLE : TRAY | | | | | | CIRCUIT SIZE |

| | | | | | | |
|---|---------|---------------------------|---------|--|-----------------|------------------------|
| THIS DRAWING CONTAINS INFORMATION THAT IS PROPRIETARY TO MOLEX ELECTRONIC TECHNOLOGIES, LLC AND SHOULD NOT BE USED WITHOUT WRITTEN PERMISSION | | CURRENT REV DESC: REVISED | | molex | | |
| DIMENSION UNITS | SCALE | | | | | |
| mm | NTS | | | IGRID 2.0 WIRE TO BOARD RIGHT ANGLE TH PLUG ASSEMBLY GOLD PLATING | | |
| GENERAL TOLERANCES (UNLESS SPECIFIED) | | | | | | |
| ANGULAR TOL | ± 3.0 ° | | | PRODUCT CUSTOMER DRAWING | | |
| 4 PLACES | ± 0.2 | | | | | |
| 3 PLACES | ± 0.2 | | | DOCUMENT NUMBER 2086590000-SD | | |
| 2 PLACES | ± 0.2 | | | | | |
| 1 PLACE | ± 0.2 | | | DOC TYPE DOC PART REVISION PSD 000 B | | |
| 0 PLACES | ± 0.2 | | | | | |
| DRAFT WHERE APPLICABLE MUST REMAIN WITHIN DIMENSIONS | | THIRD ANGLE PROJECTION | DRAWING | SERIES | MATERIAL NUMBER | CUSTOMER |
| | | | A3-SIZE | 208659 | SEE CHART | GENERAL |
| | | | | | | SHEET NUMBER 4 OF 4 |