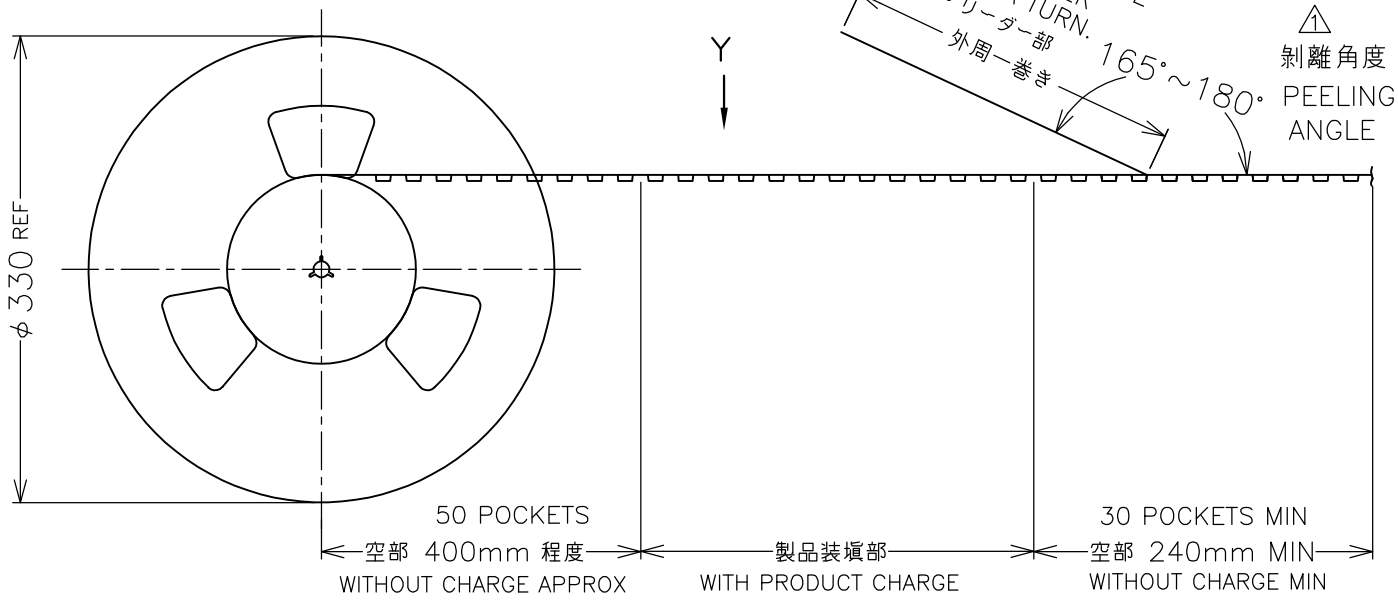
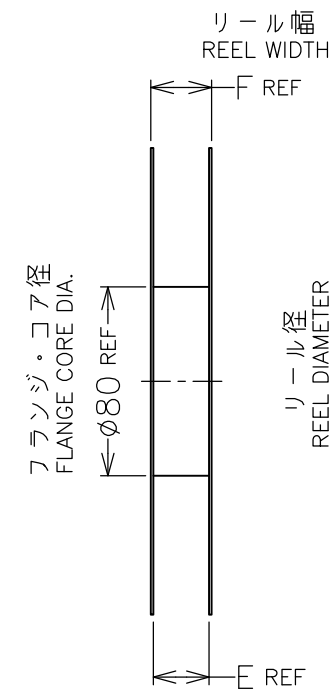
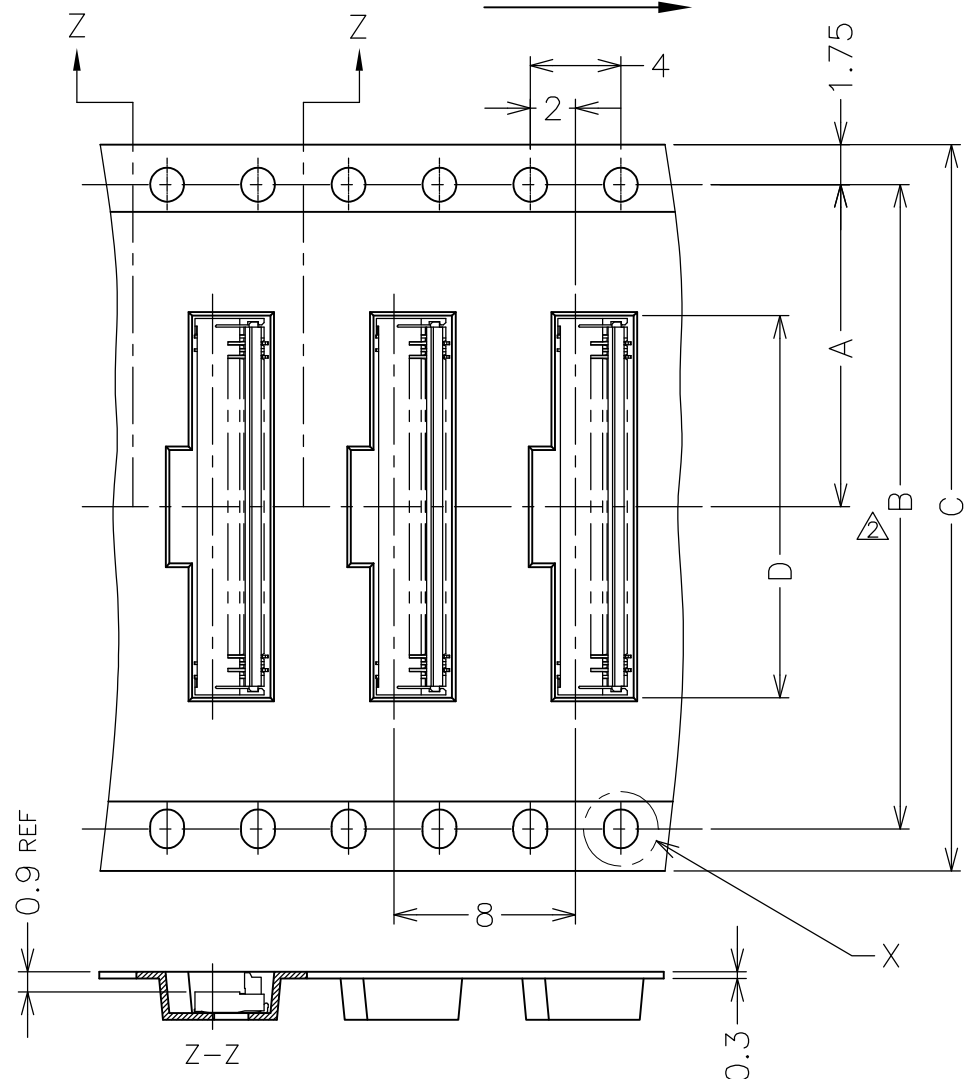


THIS DRAWING IS UNPUBLISHED. RELEASED FOR PUBLICATION
 © COPYRIGHT - By - ALL RIGHTS RESERVED.

LOC	DIST	REVISIONS					
J	-	P	LTR	DESCRIPTION	DATE	DWN	APVD
		H		REVISED PER ECR-11-008941	28JUL11	T.T	T.M

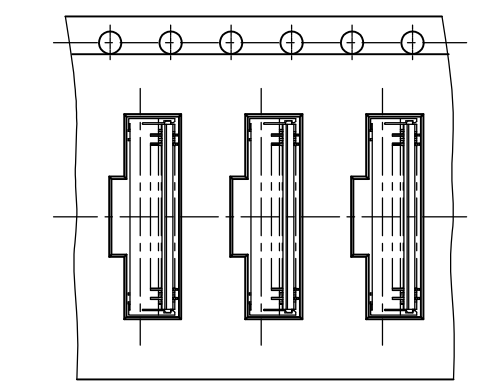
リール引出し方向
DIRECTION OFF TOP OF REEL



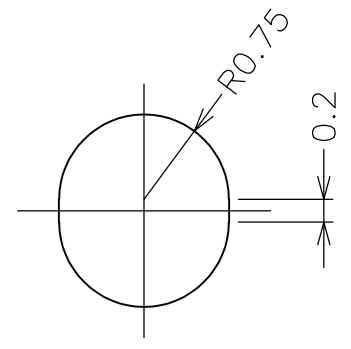
- △1 GENERAL TOLERANCE
 10 ≧ : ±0.2
 30 ≧ > 10 : ±0.25
 100 ≧ > 30 : ±0.3
 ANGLES : ±3°
- △2 DIM. B AND DETAIL "X" APPLIED
 TAPE WIDE, 32mm MORE.

VIEW Y (NTS)
テープ幅32mm以上に適用
APPLIED TAPE WIDTH 32MM, MORE.

- △1 一般公差
 10以下 : ± 0.2
 10を越え 30以下 : ± 0.25
 30を越え 100以下 : ± 0.3
 角 度 : ± 3°
- △2 B寸法及び "X" 詳細図は、
 テープ幅32mm以上に適用



VIEW Y (2/1) △
テープ幅12mm, 16mm, 24mmに適用
APPLIED TAPE WIDTH 12MM, 16MM AND 24MM.



DETAIL X (NTS)
△

STATUS	CONNECTOR WEIGHT	F	E	D	C	B	A	数量 (ヶ) QTY/REEL	POS.(N)	EMBOSS TAPE PACKAGING PART NUMBER	
OBSOLETE	AVAILABLE	0.089g	30.4	24.4	15.0	24	—	11.5	3000	45	1-2013928-8
	AVAILABLE	0.085g	30.4	24.4	14.4	24	—	11.5	3000	43	1-2013928-7
	AVAILABLE	0.081g	30.4	24.4	13.8	24	—	11.5	3000	41	1-2013928-6
	AVAILABLE	0.077g	30.4	24.4	13.2	24	—	11.5	3000	39	1-2013928-5
	AVAILABLE	0.074g	30.4	24.4	12.6	24	—	11.5	3000	37	1-2013928-4
	AVAILABLE	0.066g	30.4	24.4	11.4	24	—	11.5	3000	33	1-2013928-2
	AVAILABLE	0.055g	30.4	24.4	9.6	24	—	11.5	3000	27	2013928-9
	AVAILABLE	0.052g	22.4	16.4	9.0	16	—	7.5	3000	25	2013928-8

THIS DRAWING IS A CONTROLLED DOCUMENT.

DWN Y.KODAIRA 24MAR2008
 CHK T.KUSUHARA 25MAR2008
 APVD T.KUSUHARA 25MAR2008

TE Connectivity

0.3FPC Narrow BF-U
0.9mmH, 3.8mmW
GOLD PLATE

108-78574
411-78318

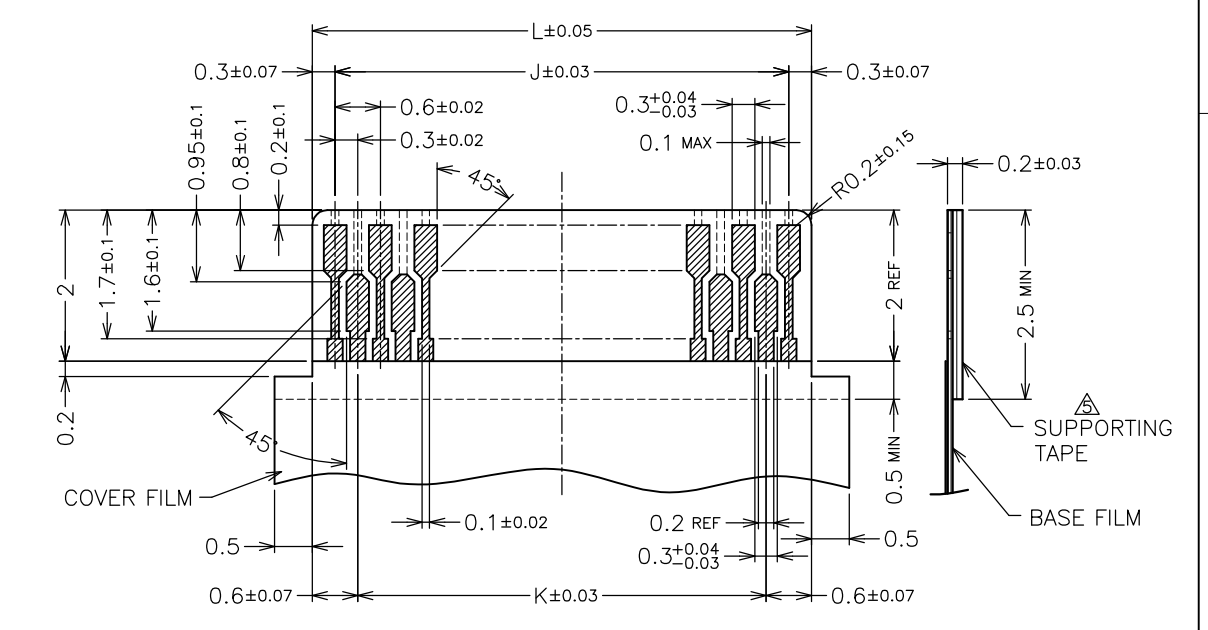
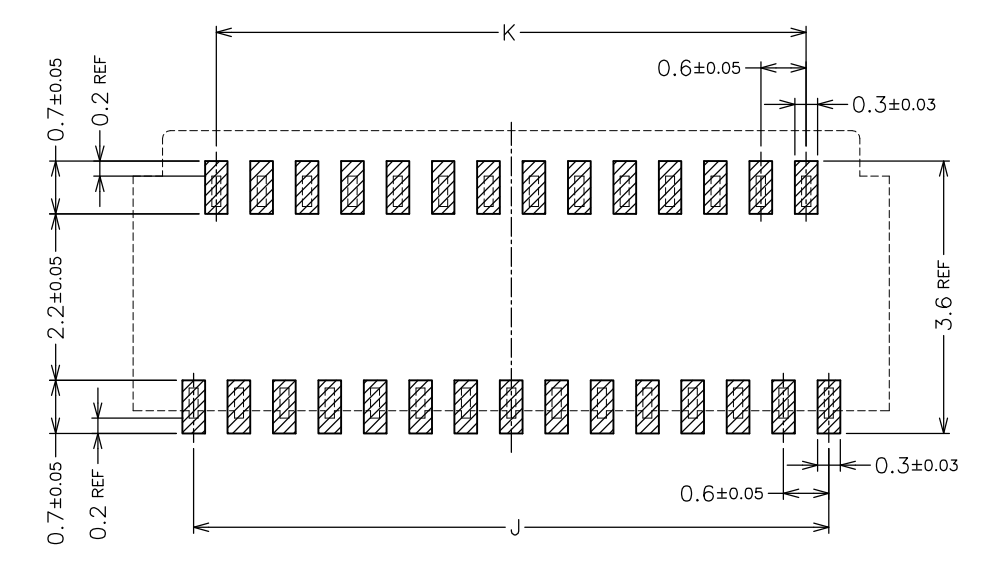
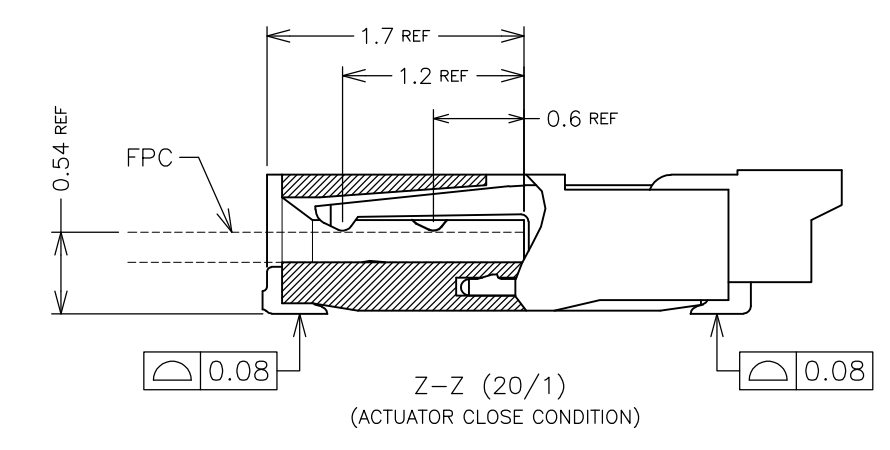
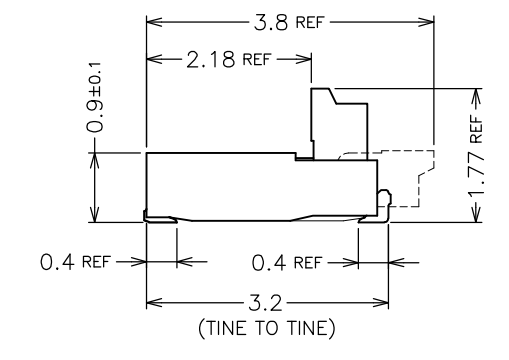
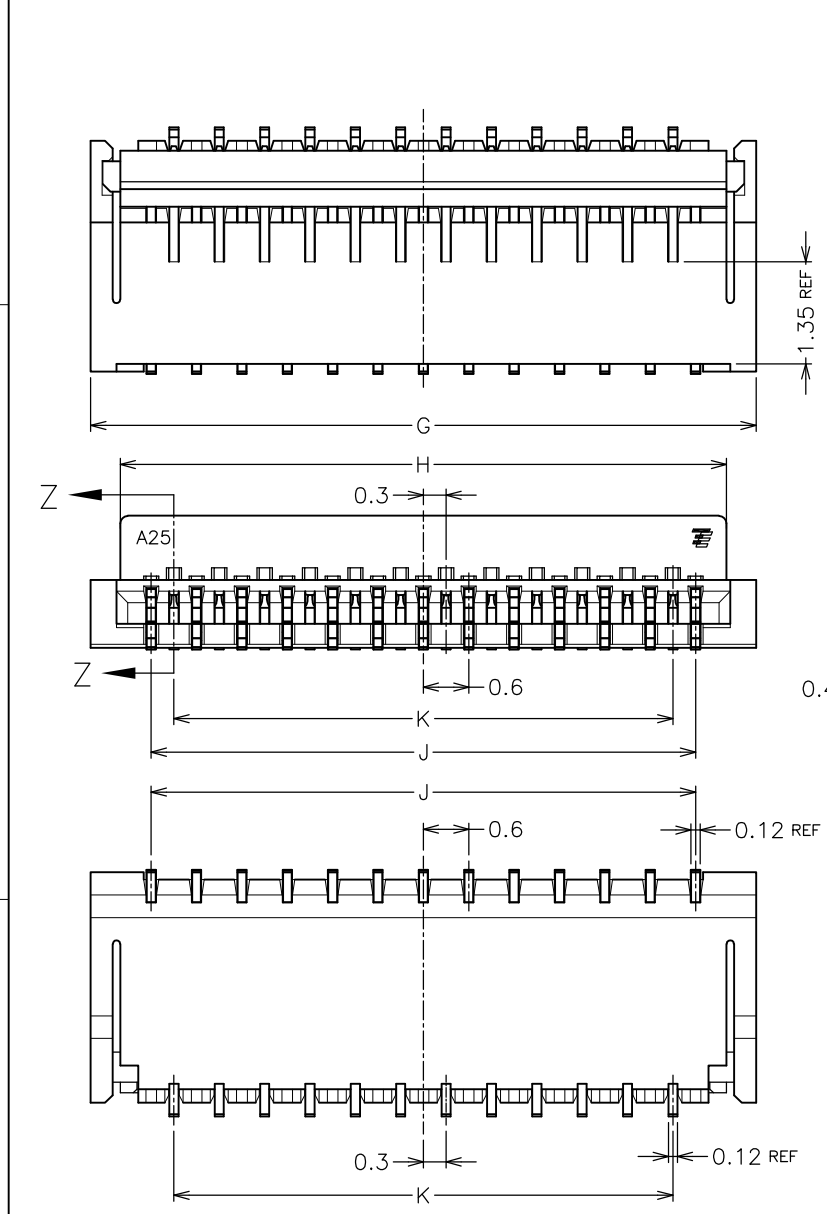
WEIGHT SEE TABLE

SIZE A3 CAGE CODE 00779 DRAWING NO C-2013928 RESTRICTED TO -

CUSTOMER DRAWING SCALE NTS SHEET 1 OF 2 REV H

THIS DRAWING IS UNPUBLISHED. RELEASED FOR PUBLICATION
 © COPYRIGHT - By - ALL RIGHTS RESERVED.

LOC	DIST	REVISIONS					
J	-	P	LTR	DESCRIPTION	DATE	DWN	APVD
		-		SEE SHEET 1	-	-	-



MATERIAL
 HOUSING : THERMO PLASTIC
 ACTUATOR : THERMO PLASTIC
 FRONT CONTACT : COPPER ALLOY
 REAR CONTACT : COPPER ALLOY

FINISH
 FRONT CONTACT : GOLD OVER NICKEL PLATING
 REAR CONTACT : GOLD OVER NICKEL PLATING

THE SUPPORTING TAPE OF FPC IS RECOMMENDED TO USE THE POLYIMIDE OR THE EQUIVALENT MATERIAL OF THE THICKNESS OF 50µm OR MORE.

材質
 ハウジング : 耐熱樹脂
 アクチュエーター : 耐熱樹脂
 フロントコンタクト : 銅合金
 リアコンタクト : 銅合金

めっき
 フロントコンタクト : 金めっき(ニッケル下地めっき)
 リアコンタクト : 金めっき(ニッケル下地めっき)

FPCの補強板には、厚さ50µm以上のポリイミドまたは相当材の使用を推奨する。

B

A

13.8	12.6	13.2	14.02	14.8	45	1-2013928-8
13.2	12.0	12.6	13.42	14.2	43	1-2013928-7
12.6	11.4	12.0	12.82	13.6	41	1-2013928-6
12.0	10.8	11.4	12.22	13.0	39	1-2013928-5
11.4	10.2	10.8	11.62	12.4	37	1-2013928-4
10.2	9.0	9.6	10.42	11.2	33	1-2013928-2
8.4	7.2	7.8	8.62	9.4	27	2013928-9
7.8	6.6	7.2	8.02	8.8	25	2013928-8
L	K	J	H	G	POS.	CONN. PART No.

THIS DRAWING IS A CONTROLLED DOCUMENT.

DIMENSIONS: mm

TOLERANCES UNLESS OTHERWISE SPECIFIED:
 0 PLC ± 0.3
 1 PLC ± 0.3
 2 PLC ± 0.3
 3 PLC ± 0.3
 4 PLC ± 0.3
 ANGLES ± 3°

MATERIAL

FINISH

STE TE Connectivity

NAME: 0.3FPC Narrow BF-U
 0.9mmH, 3.8mmW
 GOLD PLATE

SIZE: A3 CAGE CODE: 00779 DRAWING NO: C-2013928 RESTRICTED TO: -

WEIGHT

CUSTOMER DRAWING SCALE: 10:1 SHEET: 2 OF 2 REV: H