



soberton inc.

# PB PIEZO AUDIO BUZZER

Acoustic Product Specification

Product Number: PB-4218NL



Release | Revision: B/2018

## CONTENTS

This document contains the technical specifications for the piezo audio buzzer.

### Page 1

Specifications

Mechanical Characteristics

### Page 2

Environment Test

Reliability Test

### Page 3

Measuring Method (Speaker Mode)

### Page 4

Dimensions

### Page 5

Packing

## Specifications

Item	Unit	Specification	Condition
Rated Voltage	VDC	9.0	
Operating Volt	VDC	6.0 ~ 12.0	
Current Consumption	mA	50 Max.	At 9.0 VDC
Sound Output	dBA	95	At 30cm/9.0VDC
Resonant Frequency	Hz	2800 ±500	
Operating Temp	°C	-20 ~ +60	
Storage Temp	°C	-20 ~ +70	
Dimension	mm	ø41.8 x H18.0	
Housing Material	gram	18	
Material		ABS (black)	
Terminal		Wire type	Wire (150mm) UL1007/AWG26#
Environmental Protection Regulation		RoHS	

### Test condition:

Temperature: +25±2 °C    Related humidity: 65±5%    Air Pressure: 86~106KPa

## Mechanical Characteristics

Item	Test condition	Evaluation standard
Lead Wire Pull Strength	The pull force shall be applied to double lead wire : Horizontal: 3.0N(0.306kg) for 30 seconds. Vertical: 2.0N(0.204kg) for 30 seconds.	No damage and cutting off
Vibration	The buzzer shall be measured after a vibration of amplitude of 1.5mm with 10Hz to 55Hz band of vibration frequency is applied to each of 3 perpendicular directions for 2 hours.	The value of oscillation frequency/ current consumption should be in ±10% compared with initial ones.
Drop Test	The part only is dropped from a height of 70cm onto a 40mm thick wooden board 3 times in 3 axes(X,Y,Z). A total of 9 times.	The SPL should be in ±10dB compared with initial one.



soberton inc.

# PB PIEZO AUDIO BUZZER

Acoustic Product Specification

Product Number: PB-4218NL



Release | Revision: B/2018

## CONTENTS

This document contains the technical specifications for the piezo audio buzzer.

### Page 1

Specifications

Mechanical Characteristics

### Page 2

Environment Test

Reliability Test

### Page 3

Measuring Method (Speaker Mode)

### Page 4

Dimensions

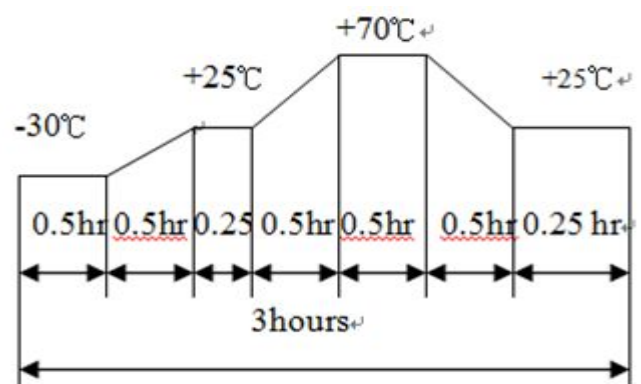
### Page 5

Packing

## Environment Test

Item	Test condition	Evaluation standard
High temp. test	The part is placed in a chamber at +70°C for 96 hours	Being placed for 4 hours at +25°C, buzzer shall be measured.
Low temp. test	The part is placed in a chamber at -30°C for 96 hours	The value of oscillation, frequency / current consumption should be in ±10% compared with initial ones.
Humidity test	The part is placed in a chamber at +70°C and 90±5% relative humidity for 96 hours	The SPL should be in ±10dB compared with initial one.

Temp cycle test The part shall be subjected to 5 cycles. Each cycle shall consist of:



## Reliability Test

Item	Test condition	Evaluation standard
Operating Life Test	<b>1. Continuous life test</b> 48 hours of continuous operation at +55°C with the maximum rated voltage applied <b>2. Intermittent life test</b> A duty cycle of 1 minute on, 1 minutes off, a minimum of 1000 times at +25±2°C and the maximum rated voltage applied	After the test, the part shall meet specifications without any degradation in appearance and performance except SPL. After 4 hours at +25°C, the SPL should be in±10dBA compared with initial one.

### Standard test condition:

- a) Temperature: +5~+35°C
- b) Humidity: 45~85%
- c) Pressure: 86~106KPa



soberton inc.

# PB PIEZO AUDIO BUZZER

Acoustic Product Specification

Product Number: PB-4218NL



Release | Revision: B/2018

## CONTENTS

This document contains the technical specifications for the piezo audio buzzer.

### Page 1

Specifications

Mechanical Characteristics

### Page 2

Environment Test

Reliability Test

### Page 3

Measuring Method (Speaker Mode)

### Page 4

Dimensions

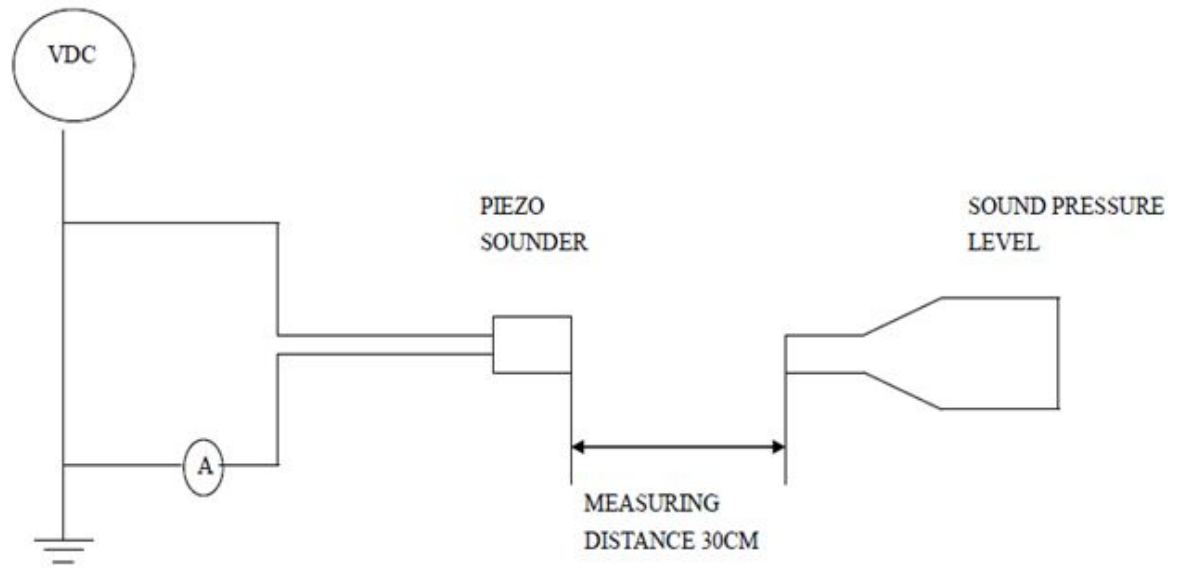
### Page 5

Packing

## Measuring Method (Speaker Mode)

### S.P.L Measuring Circuit

Input Signal: 9.0 VDC



MIC: S.P.L meter TES1351B or equivalent



soberton inc.

# PB PIEZO AUDIO BUZZER

Acoustic Product Specification

Product Number: PB-4218NL



Release | Revision: B/2018

## CONTENTS

This document contains the technical specifications for the piezo audio buzzer.

### Page 1

Specifications

Mechanical Characteristics

### Page 2

Environment Test

Reliability Test

### Page 3

Measuring Method (Speaker Mode)

### Page 4

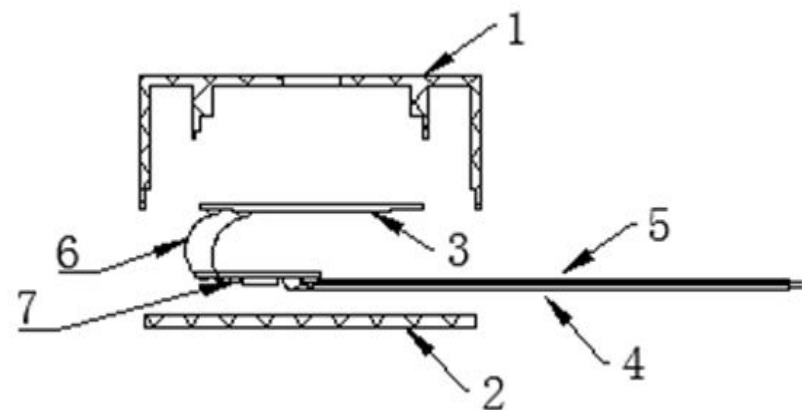
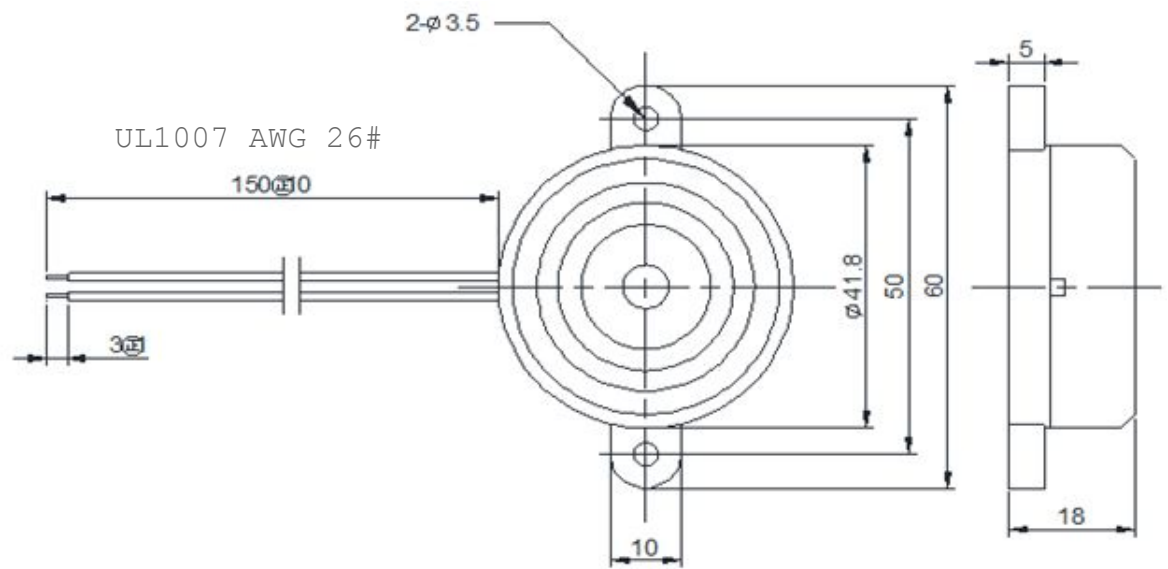
Dimensions

### Page 5

Packing

## Dimensions

Tolerance:  $\pm 0.5$  (unit: mm)



No.	Part Name	Material	Quantity
1	Case	ABS	1
2	Cover	ABS	1
3	Piezo	Brass + Ceramics	1
4	Wire(150mm)	UL1007 AWG 26# (300V 1.3mm)	1
5	Wire(150mm)	UL1007 AWG 26# (300V 1.3mm)	1
6	Wire	Copper	3
7	PCB	Epoxy	1



soberton inc.

# PB PIEZO AUDIO BUZZER

Acoustic Product Specification

Product Number: PB-4218NL



Release | Revision: B/2018

## CONTENTS

This document contains the technical specifications for the piezo audio buzzer.

### Page 1

Specifications

Mechanical Characteristics

### Page 2

Environment Test

Reliability Test

### Page 3

Measuring Method (Speaker Mode)

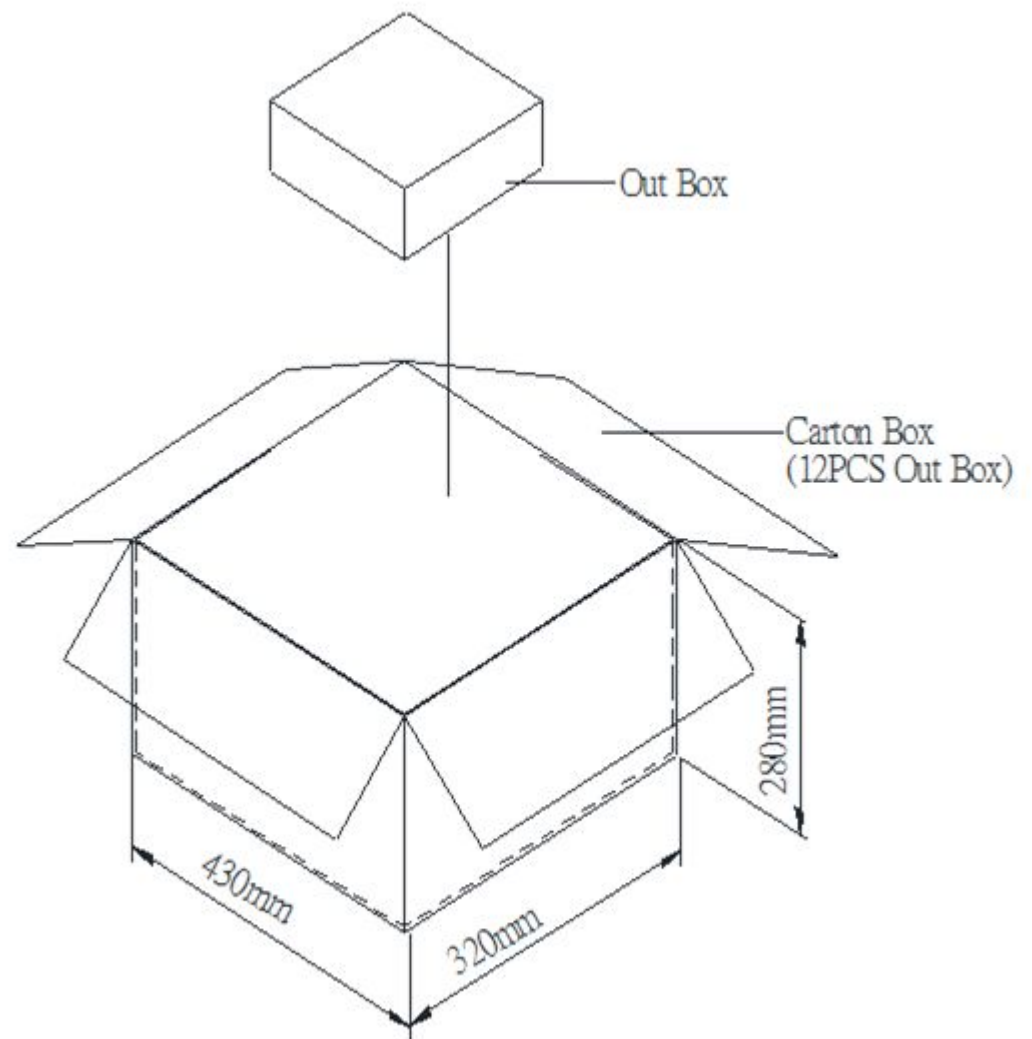
### Page 4

Dimensions

### Page 5

Packing

## Packing



## Details

	Size (mm)	Quantity (pcs)
Small carton	300 x 200 x 50	72
Carton	430 x 320 x 280	864