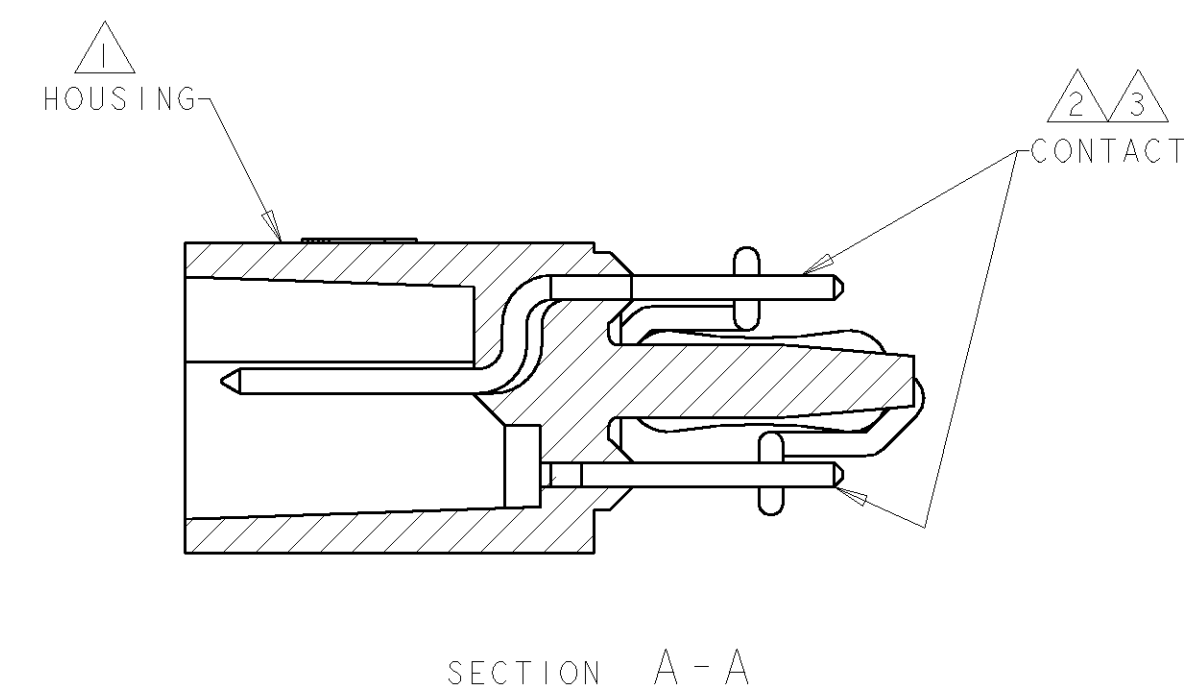
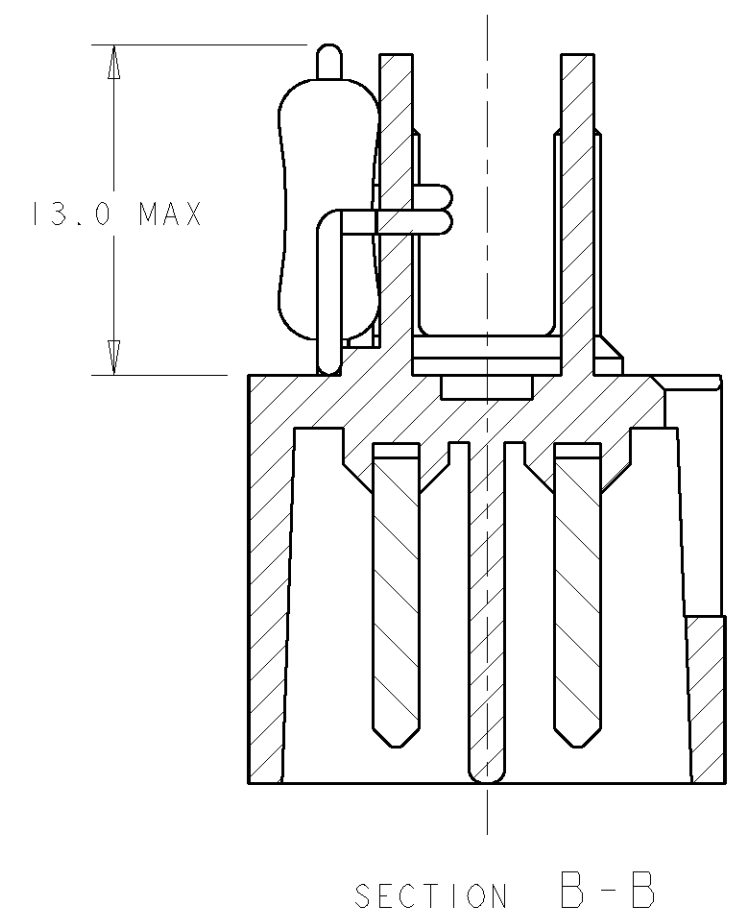
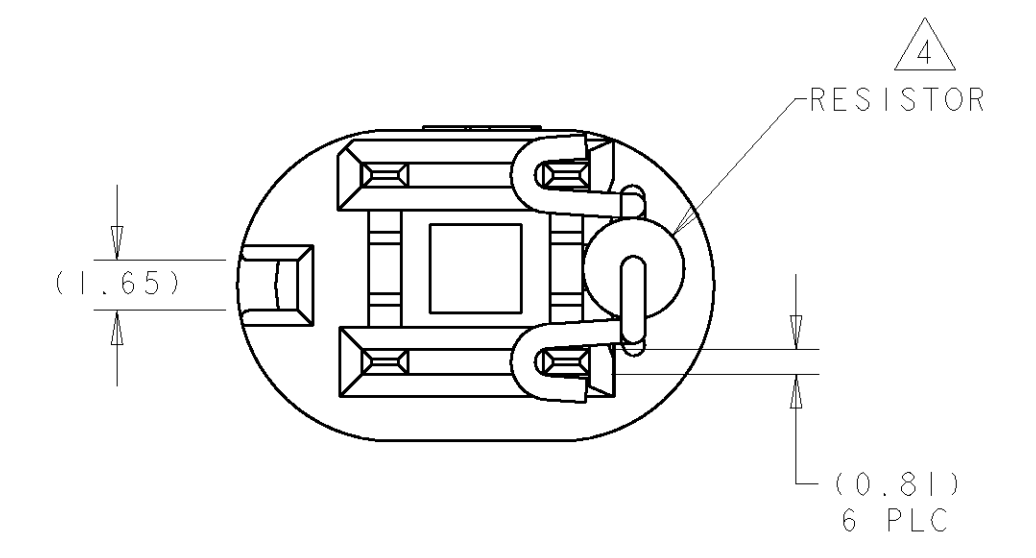
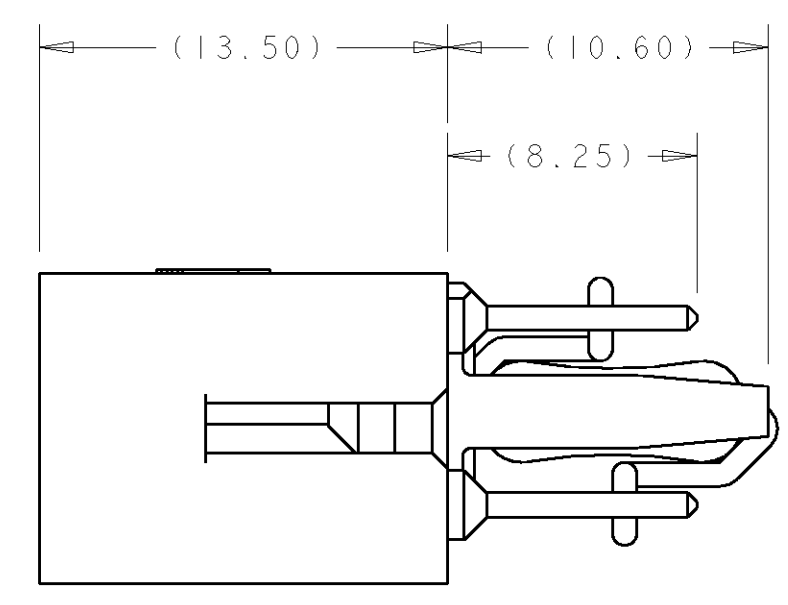
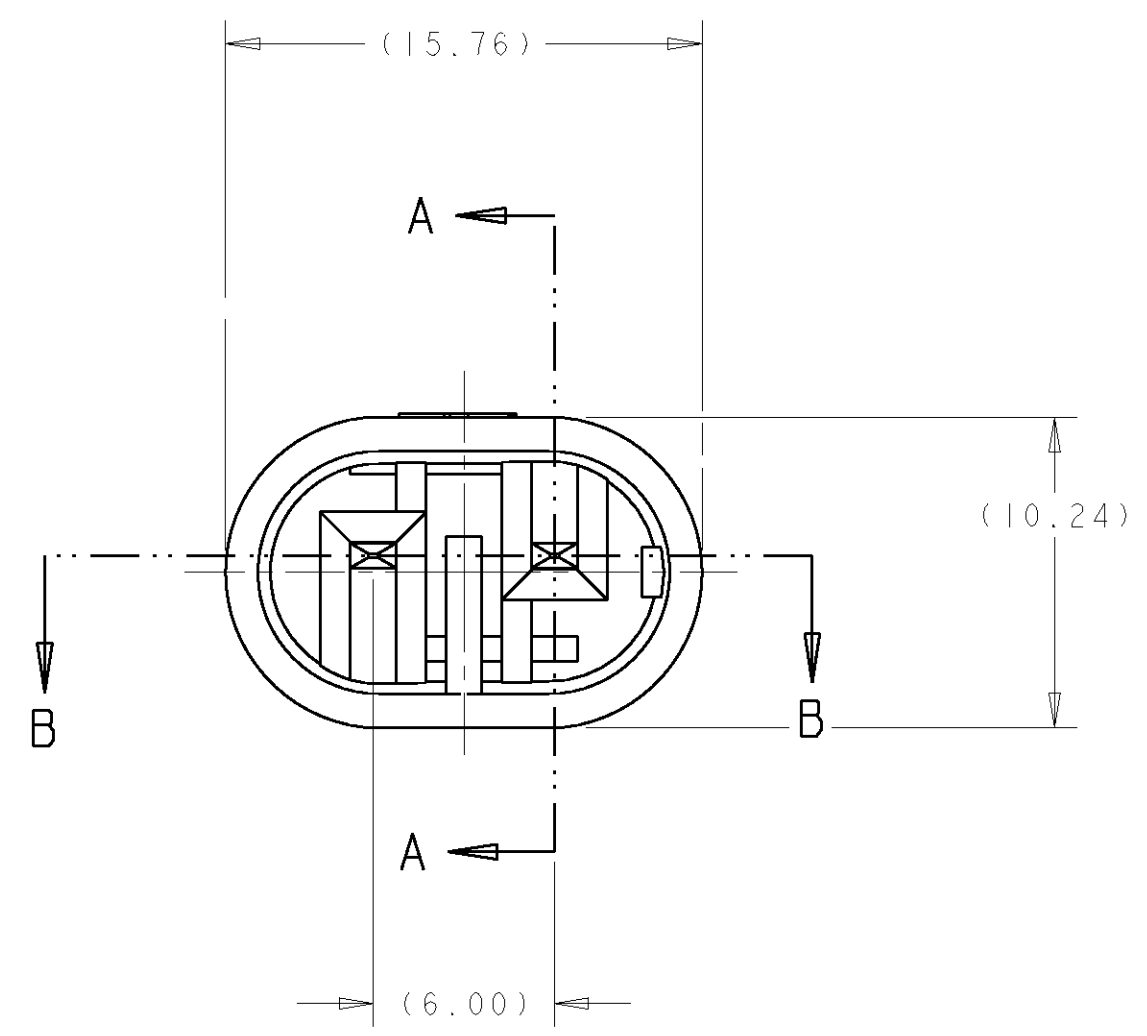
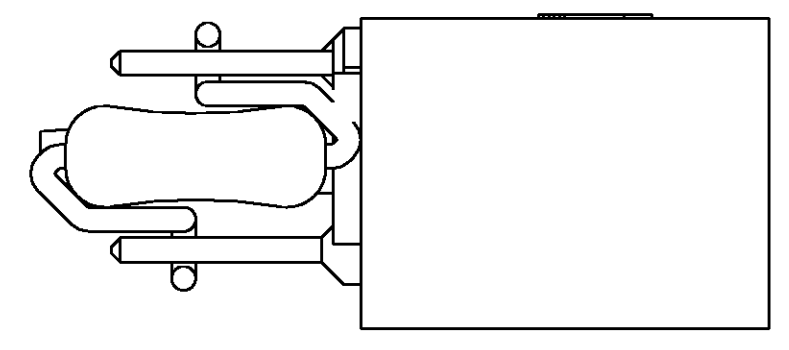
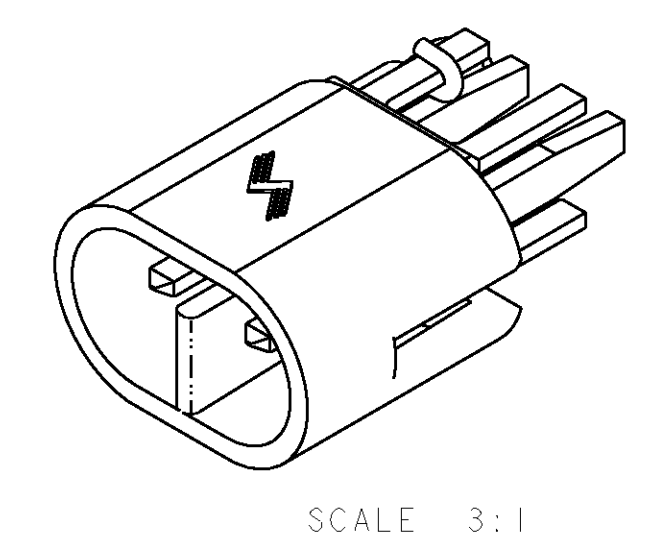


THIS DRAWING IS UNPUBLISHED. RELEASED FOR PUBLICATION 20
 © COPYRIGHT 20 BY TYCO ELECTRONICS CORPORATION. ALL RIGHTS RESERVED.

LOC	DIST	REVISIONS					
		P	LTR	DESCRIPTION	DATE	DWN	APVD
GE	00		1	RELEASED PER EC 0K40-0561-03	10NOV2003	RGV	DHC
			0	REVISED PER EC 0K40-0116-04	30APR2004	AJG	DHC
			A	REVISED PER EC 0K40-0284-04	11OCT2004	DLD	DHC



- 1 NYLON 66, 33% GLASS FILLED.
- 2 COPPER ALLOY CONTACTS.
- 3 GOLD PLATE IN CONTACT AREA OVER NICKEL.
- 4 121 OHM, 1%, 1/2 WATT RESISTOR.



-	-	BRASS	GOLD	HTN	BLACK	776540-1
MATERIAL	FINISH	MATERIAL	FINISH	MATERIAL	COLOR	PART NUMBER
RESISTOR		CONTACT		HOUSING		

THIS DRAWING IS A CONTROLLED DOCUMENT FOR TYCO ELECTRONICS CORPORATION. IT IS SUBJECT TO CHANGE AND THE CONTROLLING ENGINEERING ORGANIZATION SHOULD BE CONTACTED FOR THE LATEST REVISION.		DWN	R. VESTAL	10NOV2003	Tyco Electronics Harrisburg, PA 17105-3608
DIMENSIONS:		CHK	D. CROWE	10NOV2003	
TOLERANCES UNLESS OTHERWISE SPECIFIED:		APVD	D. CROWE	10NOV2003	
mm		PRODUCT SPEC			
0 PLC ± 1 PLC ±0.25 2 PLC ±0.2 3 PLC ± 4 PLC ± ANGLES ±° FINISH		APPLICATION SPEC			
MATERIAL		WEIGHT			NAME ASSEMBLY, J1939 4 WAY CONNECTOR, SECONDARY LOCK, 120 OHM RESISTOR
		CUSTOMER DRAWING			SIZE A2
		SCALE		4:1	CAGE CODE 00779
		SHEET		1	DRAWING NO 776540
		OF		1	RESTRICTED TO -
		REV		A	