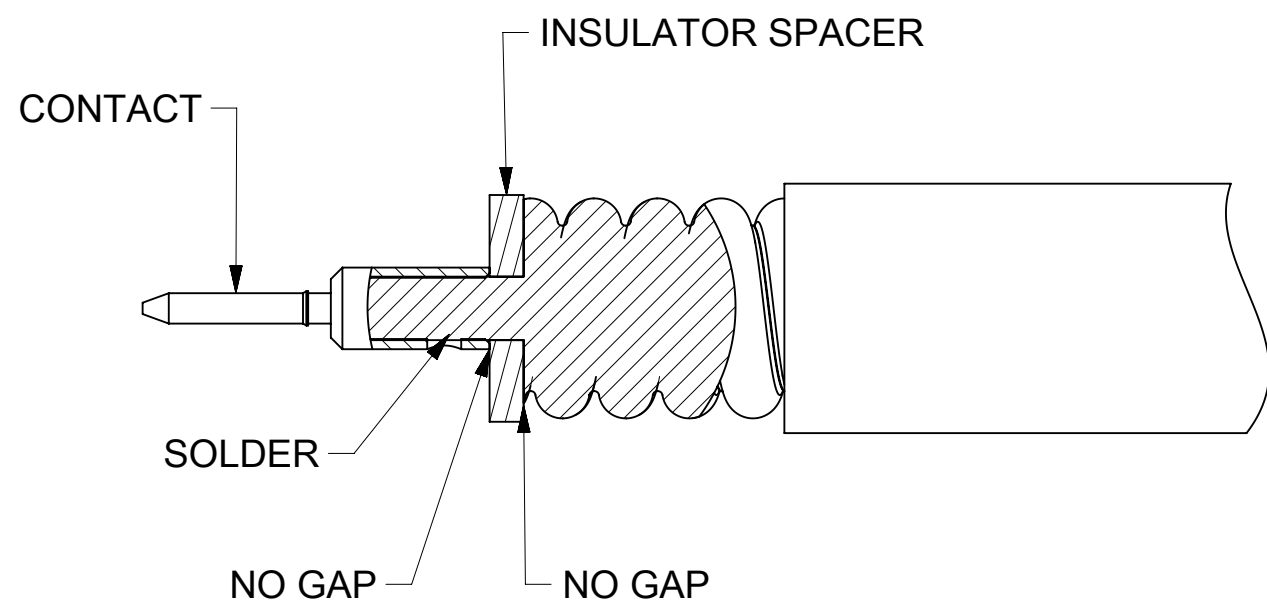
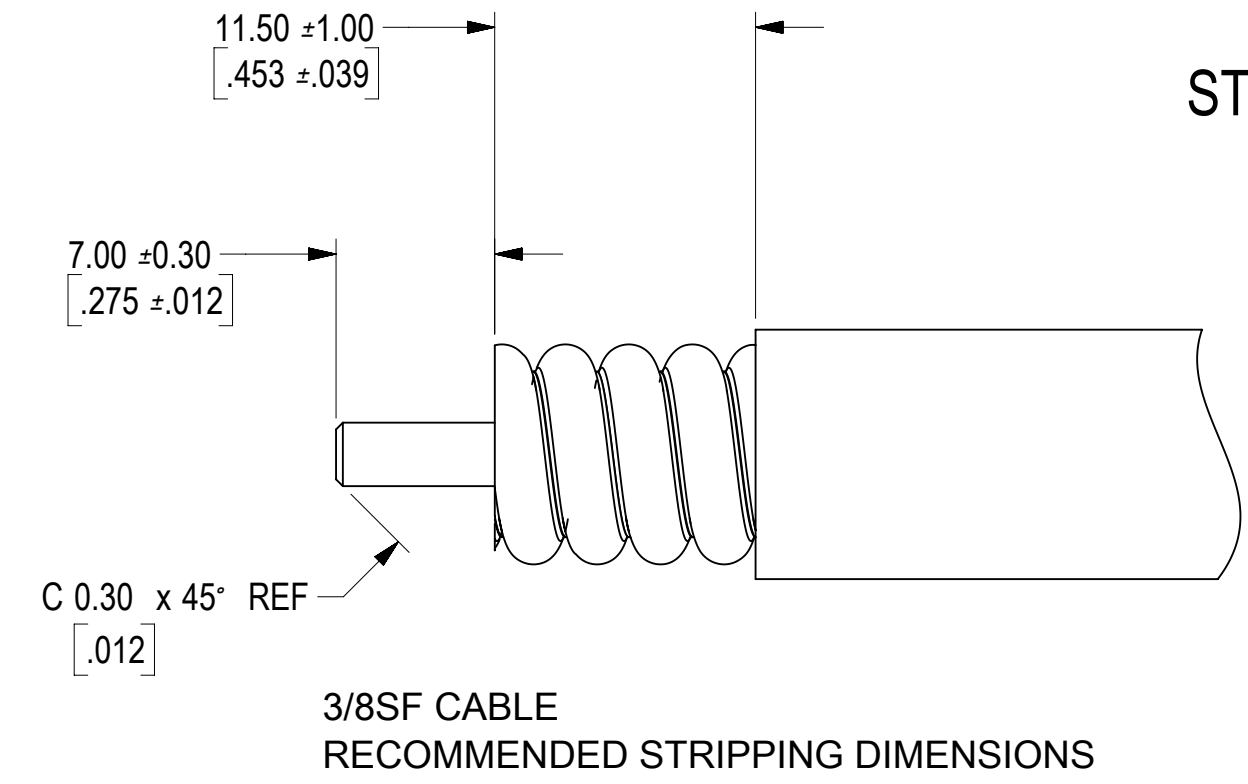


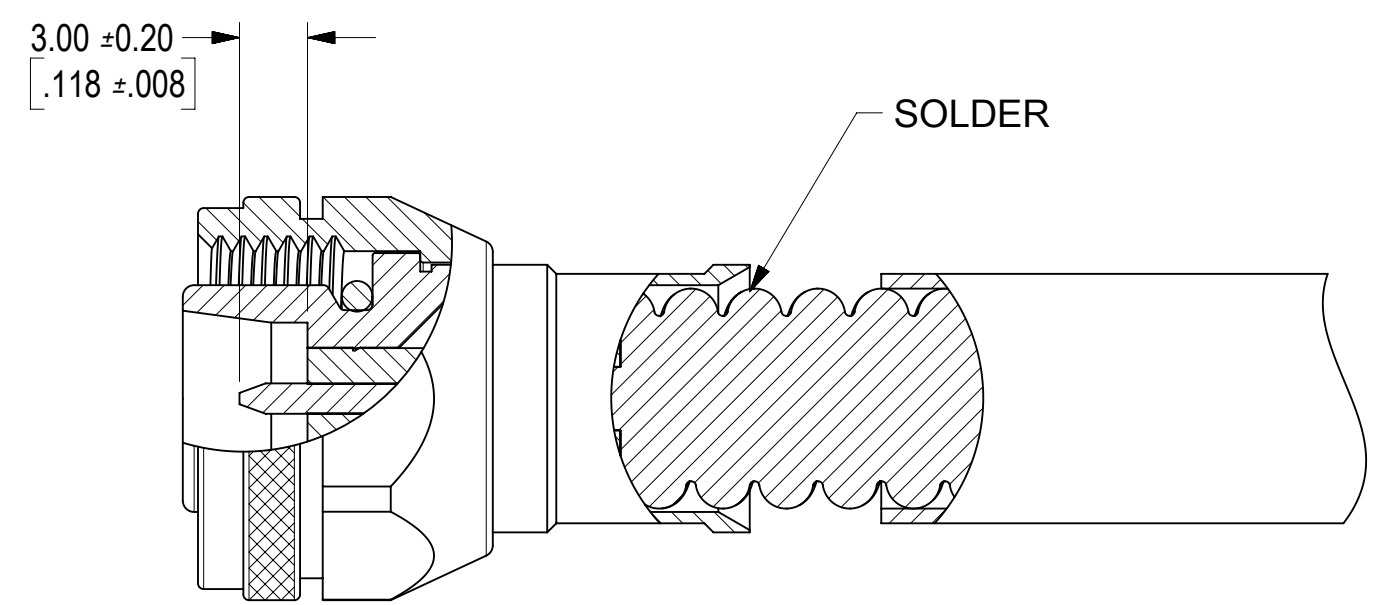
STEP 2



STEP 1



STEP 3



IF USE SHRINK TUBE
PLACE IT ONTO CABLE BEFORE
SOLDER CONNECTOR BODY TO
CABLE OUTER CONDUCTOR

THIS DRAWING CONTAINS INFORMATION THAT IS PROPRIETARY TO MOLEX ELECTRONIC TECHNOLOGIES, LLC AND SHOULD NOT BE USED WITHOUT WRITTEN PERMISSION											
SYMBOLS		DIMENSION UNITS		SCALE		CURRENT REV DESC:				molex	
= 0		HYBRID		3:1		EC NO: 622113					
= 0		GENERAL TOLERANCES (UNLESS SPECIFIED)				DRWN: YHUANG11 2019/05/06				PRODUCT CUSTOMER DRAWING	
= 0		ANGULAR TOL ± 2.0°				CHK'D: MXU11 2019/08/09				DOCUMENT NUMBER	
= 0		4 PLACES ±				APPR: LCHEN03 2019/08/09				DOC TYPE	
= 0		3 PLACES ±				INITIAL REVISION:				DOC PART	
= 0		2 PLACES ±				DRWN: YHUANG11 2019/05/06				REVISION	
= 0		1 PLACE ±				APPR: LCHEN03 2019/08/09				732250040	
= 0		0 PLACES ±				DRAFT WHERE APPLICABLE MUST REMAIN WITHIN DIMENSIONS		THIRD ANGLE PROJECTION		DRAWING	
= 0		DRAFT WHERE APPLICABLE MUST REMAIN WITHIN DIMENSIONS				C-SIZE		SERIES		MATERIAL NUMBER	
						C-SIZE		73225		CUSTOMER	
										GENERAL MARKET	
										SHEET NUMBER	
										2 OF 2	