

Over	Up to and including	Tolerance (*)
0	305	+19
305	915	+45
915	1830	+56
1830	3660	+89
3660	7320	+165
7320	14640	+317
14640	30500	+622
30500	>	+2% of length

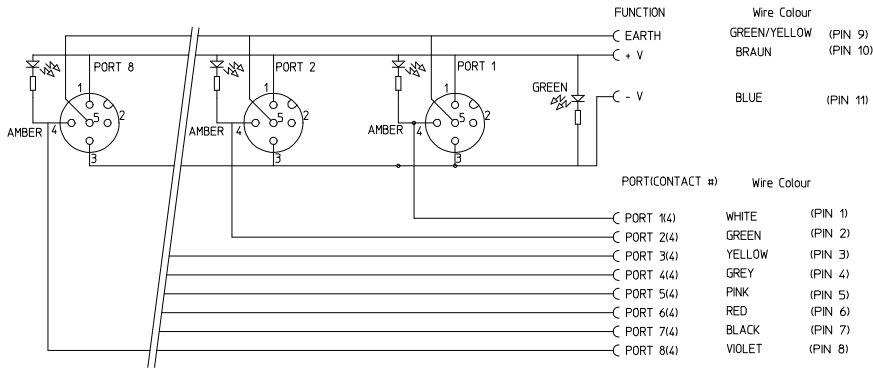
ITEM	QTY	DESCRIPTION	MATERIAL
1	1	HOUSING	PBT YELLOW
2	8	SHELL	NICKEL PLATED BRASS
3	2	PROTECTING CAB	PP
4	8	O-RING	VITRON
5	9	FIBER-OPTIC	GRILLAMID
6	1	PCB	-
7	32	CONTACT	GOLD PLATED BRASS
8	1	CABLE PLATE	PBT YELLOW
9	9	LABEL	ABS
10	-	POTTING MATERIAL	RESIN PU55FL
11	-	POTTING MATERIAL	RESIN HARDENER
12	-	SEE TABLE 1	-
13	1	OVERMOLDING	PVC YELLOW
14	1	COUPLING NUT	AL BLACK ANODISED
15	1	INSERT	PVC YELLOW
16	12	CONTACT	GOLD PLATED BRASS

<b>ENTER DESCRIPTION</b> EC NO: IPG2013-0140 DRW:ULETTENMEIER 2012/07/30 CHK:DZISMAYILOV 2012/07/30 APPR:CBURGER 2012/07/30	<b>QUALITY SYMBOLS</b>   	<b>GENERAL TOLERANCES (UNLESS SPECIFIED)</b>		<b>DIMENSION STYLE</b> MM ONLY	<b>SCALE</b> 1:1	<b>DESIGN UNITS</b> METRIC	THIRD ANGLE PROJECTION		
		4 PLACES ± --- ± --- 3 PLACES ± --- ± --- 2 PLACES ± 0.1 ± --- 1 PLACE ± 0.2 ± ---	mm INCH	DRAWN BY DATE ULETTENMEIER 2011/10/05	CHECKED BY DATE ZISMAYILOV 2011/12/14	<b>TITLE</b> MPIS M12 MC PNP NPN 4P 8PT 12P AC FE MA STR PUR PVC MA XM			
		ANGULAR ± 2 °		APPROVED BY DATE CBURGER 2011/12/20	<b>MOLEX INCORPORATED</b>		MATERIAL NO. SD-120005-014	DOCUMENT NO.	SHEET NO. 1 OF 2
		DRAFT WHERE APPLICABLE MUST REMAIN WITHIN DIMENSIONS		SEE TABLE 1	THIS DRAWING CONTAINS INFORMATION THAT IS PROPRIETARY TO MOLEX INCORPORATED AND SHOULD NOT BE USED WITHOUT WRITTEN PERMISSION				

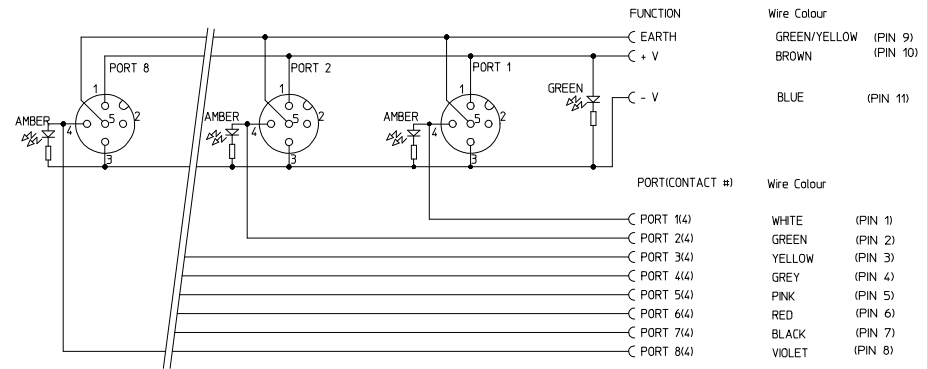
TABLE 1

MOLEX PN	ENG. NO.	DESCRIPTION	CABLE	L - length[M]
1200051035	BTY806N-FBP	MPIS M12 MC NPN 4P 8PT 12P AC FE STR PUR MA STR 0,3M	CABLE;PUR;BLACK (UL,CSA,IEC,EU)3 X0.75mm + 8 X0.34mm	0.3
1200051036	BTY806P-FBP	MPIS M12 MC PNP 4P 8PT 12P AC FE STR PUR MA STR 0,3M	CABLE;PUR;BLACK (UL,CSA,IEC,EU)3 X0.75mm + 8 X0.34mm	0.3

Wiring Diagram NPN

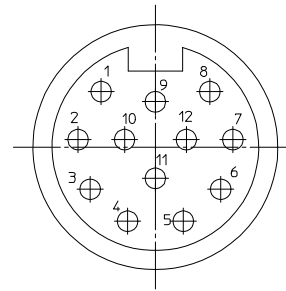


Wiring Diagram PNP



GENERAL CHARACTERISTICS:

NOMINAL VOLTAGE: 10-30 V DC  
 RATED VOLTAGE: 32 V EFF.  
 POLLUTION DEGREE: 3  
 RATED CURRENT: 4 A PER PORT / 12 A MAX: TOTAL  
 CONTACT RESISTANCE: ≤ 5 mOHM  
 ISULATION RESISTANCE: > 10<sup>8</sup> OHM  
 IP DEGREE OF PROTECTION: IP 68 REFER TO TEST SUMMARY TS-120005-016



CONNECTOR FACE VIEW

TEMPERATURE RANGE: CABLE;PUR;BLACK (UL,CSA,IEC,EU)3 X0.75mm + 8 X0.34mm -5°C / +90°C

FLAMMABILITY: Insert: V0  
 HOUSING: V0

PACKAGING: CABLE LENGTH OVER 5M: BAG, STRINGED; 450X500  
 P/N: 908487016  
 CABLE LENGTH UP TO 5M: BAG 200X300X 05  
 P/N: 908486937

<b>ENTER DESCRIPTION</b> EC NO: IPG2013-0140 DRW:ULETTENMEIER 2012/07/30 CHK:DZISMAYILOV 2012/07/30 APPR:CBURGER 2012/07/30	<b>QUALITY SYMBOLS</b> ▽=0 ◻=0	<b>GENERAL TOLERANCES (UNLESS SPECIFIED)</b>		<b>DIMENSION STYLE</b> MM ONLY	<b>SCALE</b> 1:1	<b>DESIGN UNITS</b> METRIC	THIRD ANGLE PROJECTION
		mm	INCH	DRAWN BY DATE ULETTENMEIER 2011/10/05	TITLE MPIS M12 MC PNP NPN 4P 8PT 12P AC FE MA STR PUR PVC MA XM		
		4 PLACES ± --- ± ---	3 PLACES ± --- ± ---	CHECKED BY DATE ZISMAYILOV 2011/12/14	APPROVED BY DATE CBURGER 2011/12/20		
		2 PLACES ± 0.1 ± ---	1 PLACE ± 0.2 ± ---	MATERIAL NO. SEE TABLE 1		DOCUMENT NO. SD-120005-014	
ANGULAR ± 2 °		DRAFT WHERE APPLICABLE MUST REMAIN WITHIN DIMENSIONS		THIS DRAWING CONTAINS INFORMATION THAT IS PROPRIETARY TO MOLEX INCORPORATED AND SHOULD NOT BE USED WITHOUT WRITTEN PERMISSION			