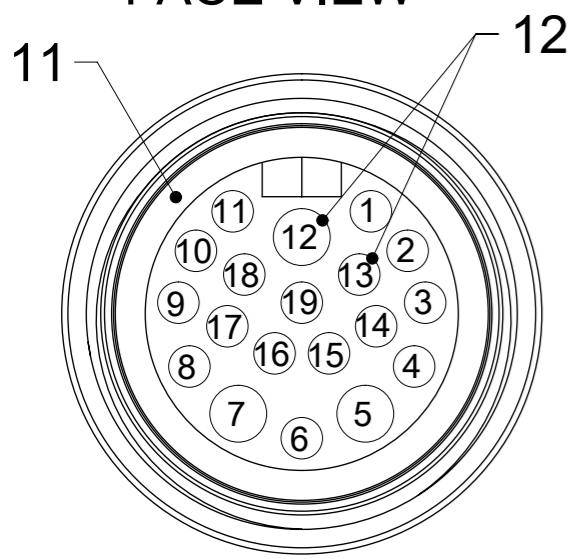


TABLE 1

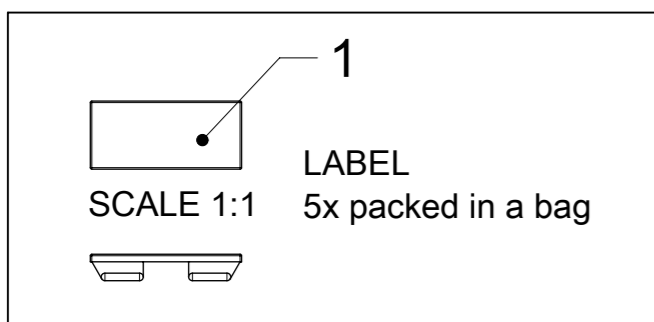
MOLEX P/N	ENG. NO.	CABLE LENGTH (mm)	LED
1202510109	BKB4120-FBW-003	300	NO
1202510110	BKB4120-FBW-01	1000	NO
1202510111	BKB4120-FBW-05	5000	NO
1202510112	BKB4120-FBW-10	10000	NO
1202510113	BKB412N-FBW-003	300	YES
1202510114	BKB412N-FBW-05	5000	YES

19 POLE MALE
FACE VIEW



PIN	COLOR
3	GREY
4	RED/BLUE
5	BLUE
6	GREEN
7	BROWN
8	WHITE/GREEN
12	YELLOW/GREEN
14	BROWN/GREEN
15	WHITE
16	YELLOW
19	GREY/PINK

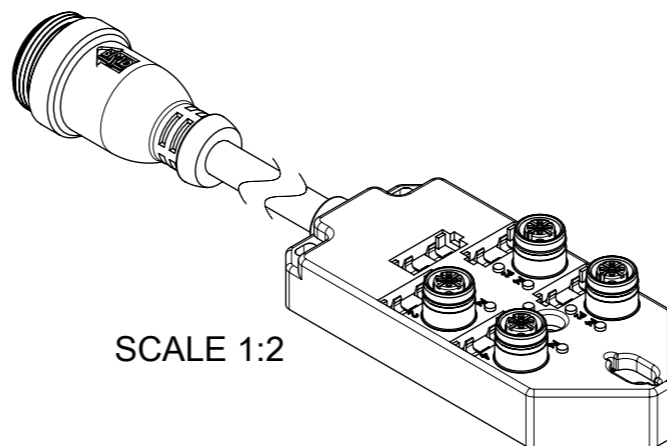
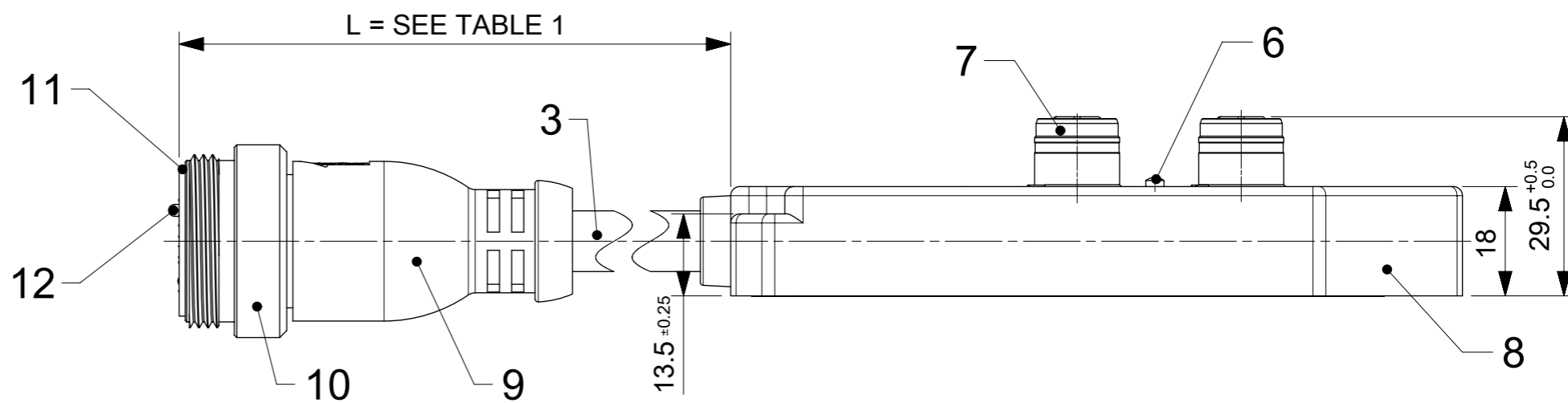
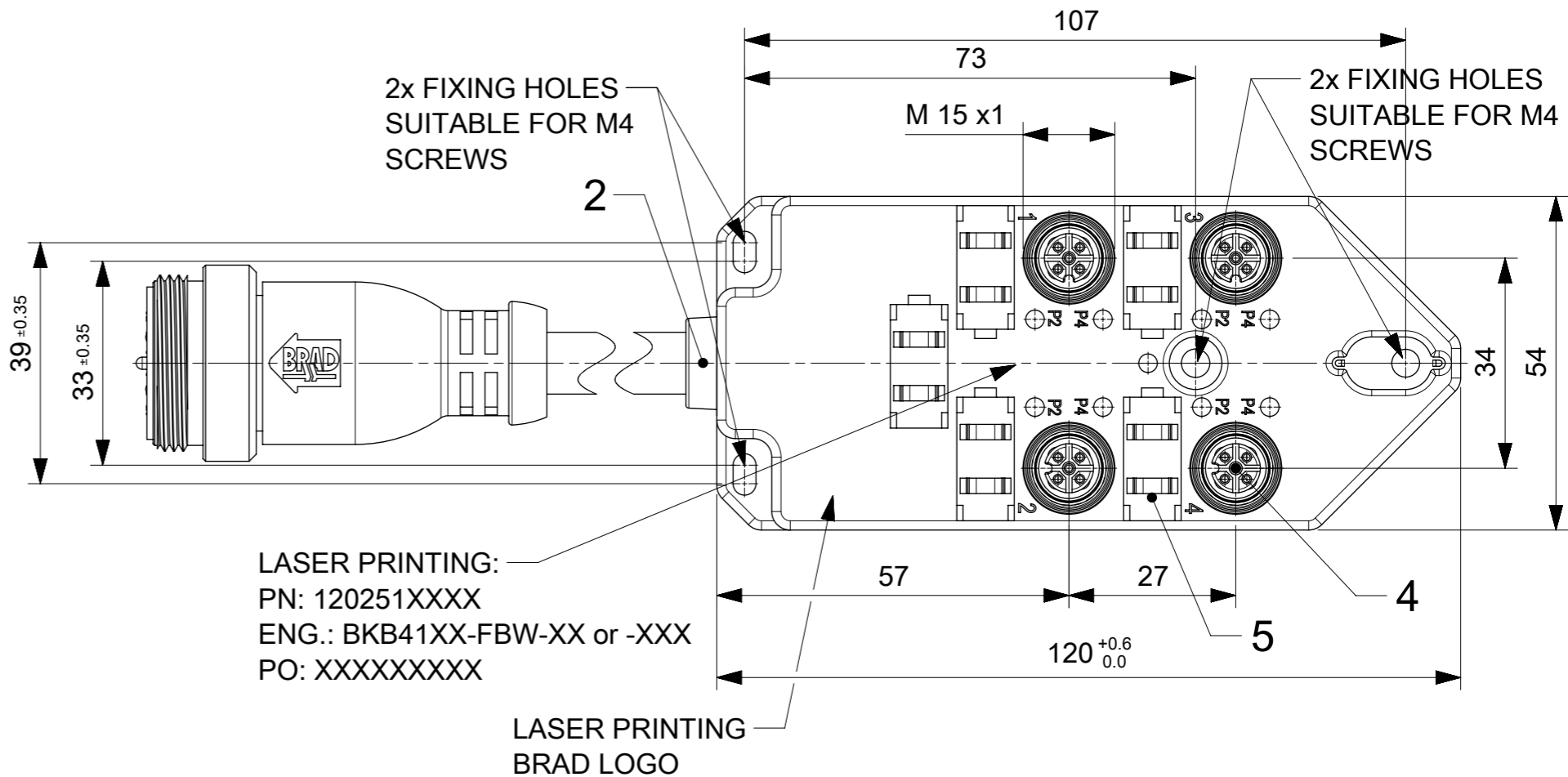
SCALE 2:1



GENERAL CHARACTERISTICS:

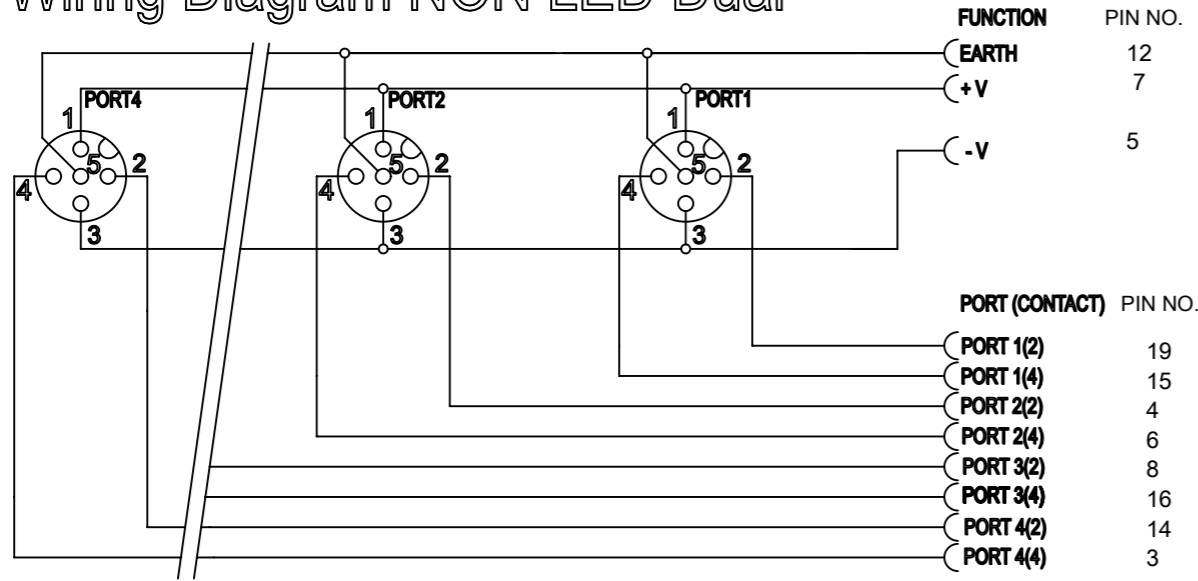
ELECTRICAL AND MECHANICAL DATA ACC. TO IEC 61076-2-101

NOMINAL VOLTAGE: 10-30 V DC
 AMPERE RATING: 4 A PER PORT / 12 A MAX
 AMPERE RATING WITH UL REGISTRATION: 3 A PER PORT / 9 A MAX
 IP DEGREE OF PROTECTION: IP 67
 TEMPERATURE RANGE: -25°C to + 85°C

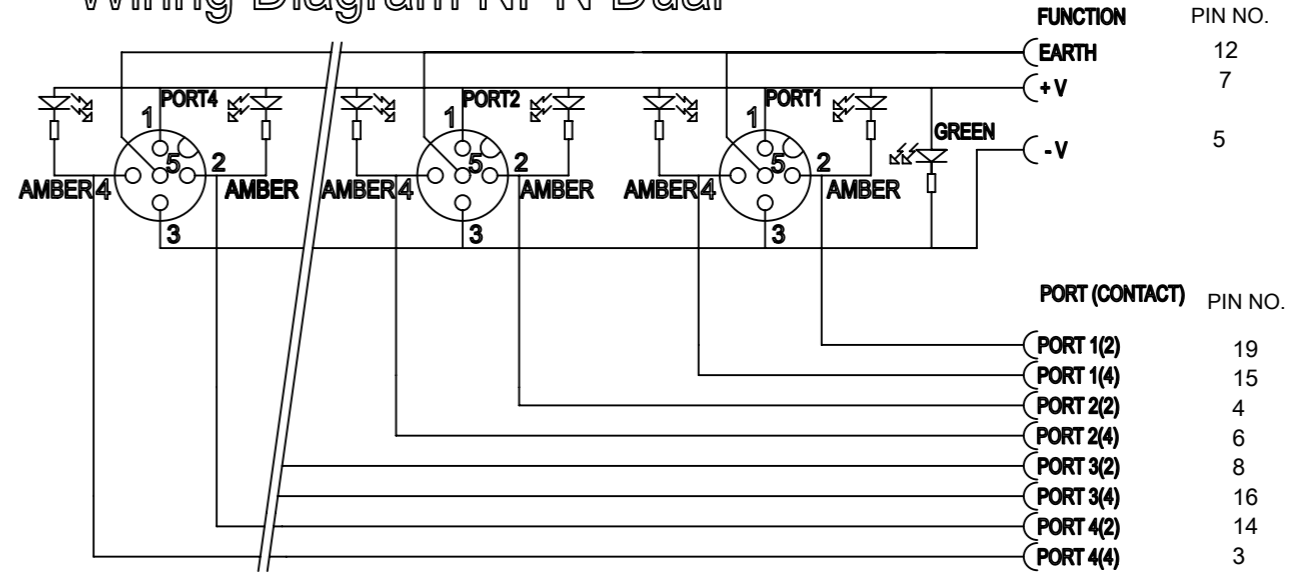


FUNCTIONAL SYMBOLS	THIS DRAWING CONTAINS INFORMATION THAT IS PROPRIETARY TO MOLEX ELECTRONIC TECHNOLOGIES, LLC AND SHOULD NOT BE USED WITHOUT WRITTEN PERMISSION		CURRENT REV DESC: BOM UPDATED		molex
	mm	1:1			
DIVISIONAL SYMBOLS	GENERAL TOLERANCES (UNLESS SPECIFIED)				MPIS U12 NOS 5P 4PT 0.3M MC 19P BK
	4 PLACES	±			
FUNCTIONAL SYMBOLS	3 PLACES	±	EC NO: 695129	2022/02/07	PRODUCT CUSTOMER DRAWING
	2 PLACES	± 0.05	DRWN: RSCHIEBER	2022/02/09	
	1 PLACE	± 0.3	CHK'D: RSILLER	2022/02/09	
	0 PLACES	± 0.5	APPR: RSILLER	2022/02/09	
DRAFT WHERE APPLICABLE MUST REMAIN WITHIN DIMENSIONS		THIRD ANGLE PROJECTION	DRAWING	SERIES	DOCUMENT NUMBER
			A3-SIZE	120251	1202510109
					DOC TYPE
					PSD
					DOC PART
					000
					REVISION
					A2
					SHEET NUMBER
					1 OF 2

Wiring Diagram NON LED Dual



Wiring Diagram NPN Dual



BILL OF MATERIAL

ITEM	DESCRIPTION	MATERIAL	FINISH
1	LABEL	ABS	WHITE
2	CABLE PLATE	PBT	BLACK
3	CABLE	TPU BASED	BLACK
4	CONTACT	BRASS	GOLD OVER NICKEL
5	O-RING	FPM	RED
6	LED	NO LED = PA	BLACK
		WITH LED = PA	TRANSPARENT
7	SHELL	BRASS	NICKEL PLATED
8	HOUSING	PBT	BLACK
9	OVERMOLDING	PVC	YELLOW
10	COUPLING NUT	ZINC DIE CAST	BLACK
11	INSERT	TPE	YELLOW
12	CONTACT	BRASS	GOLD OVER NICKEL

CABLE LENGTH TOLERANCES

LENGTH [m]	TOLERANCE [mm]
0-1	+40
>1-5	+60
>5-10	+80
>10-20	+140
>20-30	+160
>30	+1% length

FUNCTIONAL SYMBOLS $\nabla/A = 0$ $\nabla/E = 0$ $\nabla/Z = 0$	THIS DRAWING CONTAINS INFORMATION THAT IS PROPRIETARY TO MOLEX ELECTRONIC TECHNOLOGIES, LLC AND SHOULD NOT BE USED WITHOUT WRITTEN PERMISSION DIMENSION UNITS: mm SCALE: 1:1	CURRENT REV DESC: BOM UPDATED EC NO: 695129 DRWN: RSCHIEBER CHK'D: RSILLER APPR: RSILLER			
	GENERAL TOLERANCES (UNLESS SPECIFIED) ANGULAR TOL $\pm 1.0^\circ$ 4 PLACES \pm 3 PLACES \pm 2 PLACES ± 0.05 1 PLACE ± 0.3 0 PLACES ± 0.5	2022/02/07 2022/02/09 2022/02/09			
DIVISIONAL SYMBOLS DRAFT WHERE APPLICABLE MUST REMAIN WITHIN DIMENSIONS	THIRD ANGLE PROJECTION	DRAWING: A3-SIZE SERIES: 120251	MATERIAL NUMBER: SEE TABLE 1 CUSTOMER: GENERAL MARKET	SHEET NUMBER: 2 OF 2	