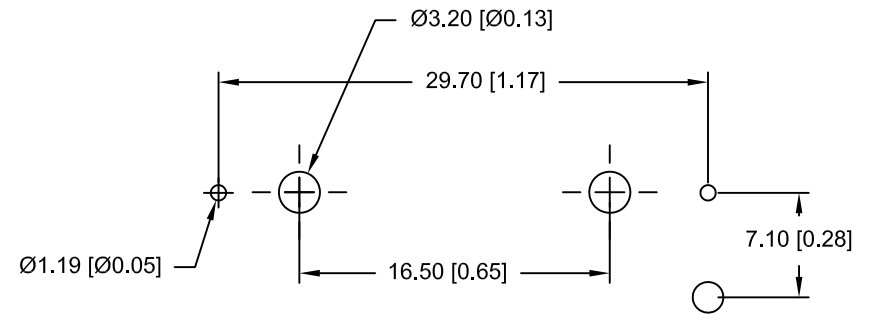
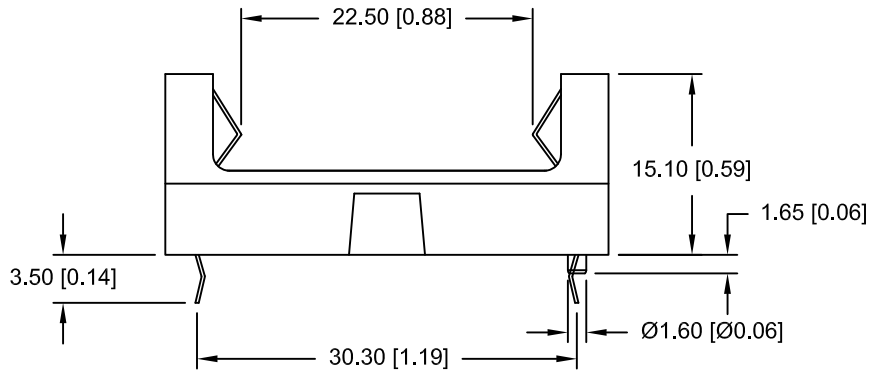
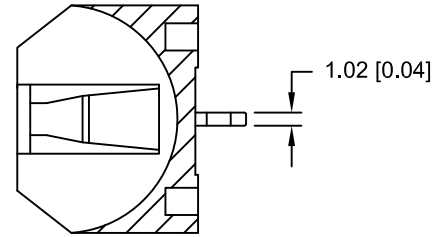
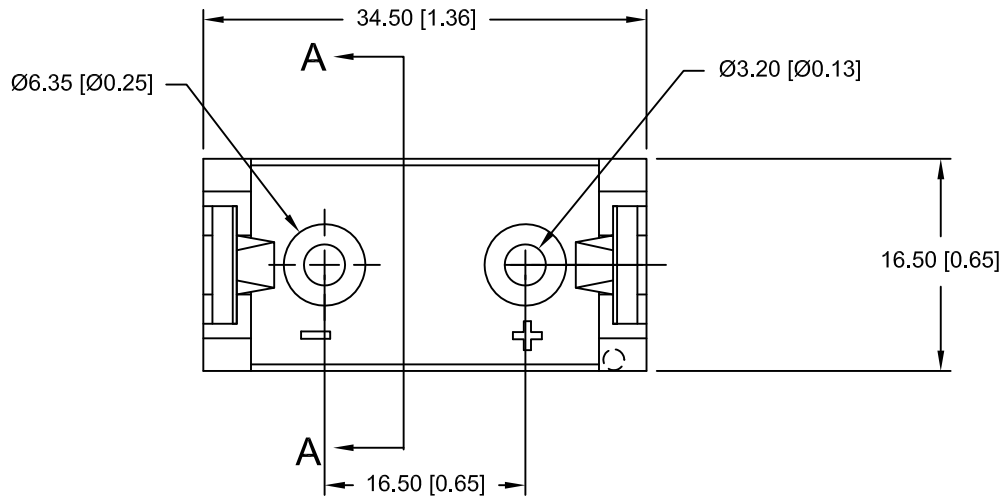


Date	SYM	REVISION RECORD	AUTH	DR.	CK.
09/02/11	A	Added UL rating and temp.	T.B.	B.S.	
09/16/11	B	Updated notes	T.B.	B.S.	
05/10/13	C	Added Dim. 22.50 Dim. 30.30 was 29.70 Dim. 3.50 was 3.01 Dim. 1.6 was 1.42	T.B.	B.S.	



PC BOARD LAYOUT

NOTES:

Material: Self-extinguishing Thermoplastic Polyester, color black
 Temperature Range: -40°C to +180°C
 Contacts: 302 Stainless Steel Spring Temper, Nickel Plated
 Flamability Rating: UL 94V-0
 Dielectric Strength: 560 Volts/Mil. at 25°C for 5 Sec.
 Resistance to Solvents: Xylene, ethyl, butyl, methyl & toluene
 ROHS 2 COMPLIANT

Tolerance (Except as noted)	Memory Protection Devices, Inc 200 Broad Hollow Road, Farmingdale, New York 11735		
decimal ±.5 (.02)		Scale 2=1	Drawn By T.S. Approved By T.B.
Fractional ± .8 (.03)	Title 1/2AA BATTERY HOLDER		
Angular ± 3°	Date 05/10/13	Drawing Number 6S 1/2 AA	