

DRAWING MADE IN THIRD ANGLE PROJECTION

3

2

1

LOC A DIST

© COPYRIGHT 19 BY AMP INCORPORATED, HARRISBURG, PA. ALL INTERNATIONAL RIGHTS RESERVED. AMP INCORPORATED PRODUCTS COVERED BY U. S. AND FOREIGN PATENTS AND/OR PATENTS PENDING.

274260-1: IDENTIFY PER M.P.S. 106-2 (3.3.F OR 3.3.G).

REVISIONS			
P	F	ZONE/LTR	DESCRIPTION
			DATE APPROVED

D

D

C

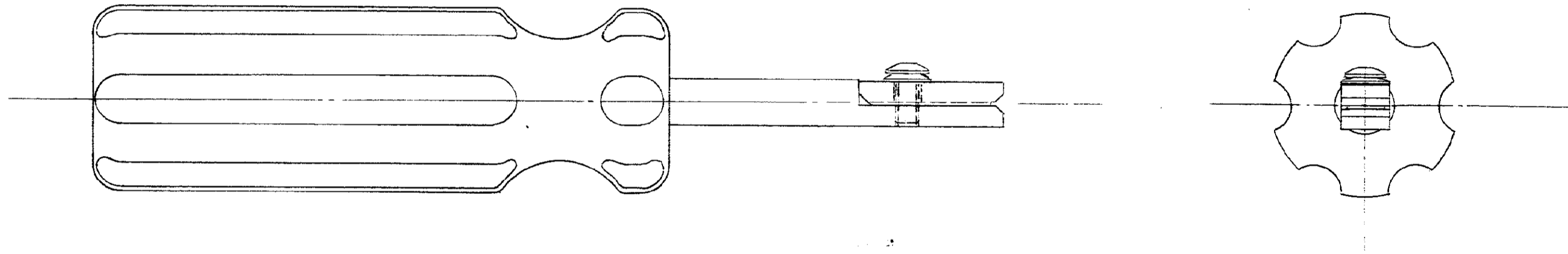
C

B

B

A

A



274260

UNLESS OTHERWISE SPECIFIED DIMENSIONS ARE IN INCHES. TOLERANCES ON: DECIMALS ± ANGLES ±		CONTRACT NO		AMP INCORPORATED Harrisburg, Pa.	
MATERIAL		DR M 1-4-77		NAME	
FINISH		CHK		TOOL, INSERTION (M.W.I.C. '187 FASTON TAB 62566-1)	
		APPD		SIZE CODE IDENT NO NUMBER	
		APPD		C 00779 274260	
		DSGN APPD		SCALE 2X SHEET 1 OF 1	
		OTHER APPD		PART NO	