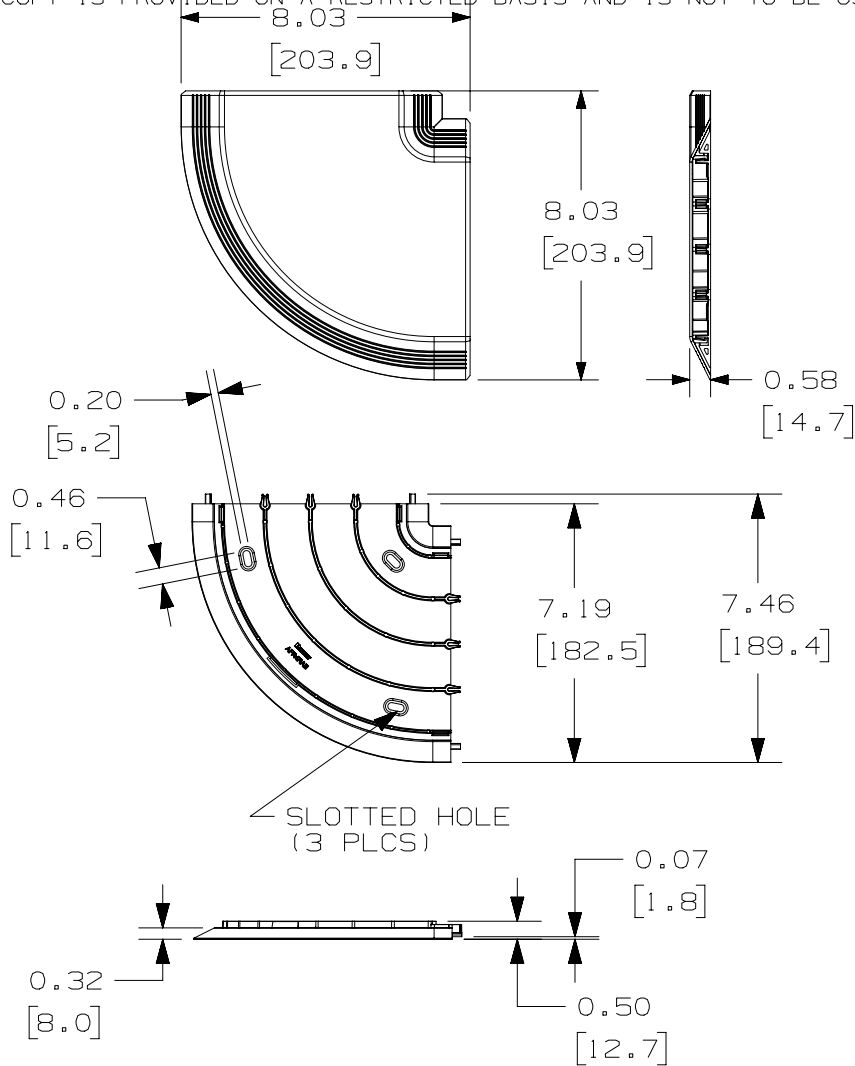
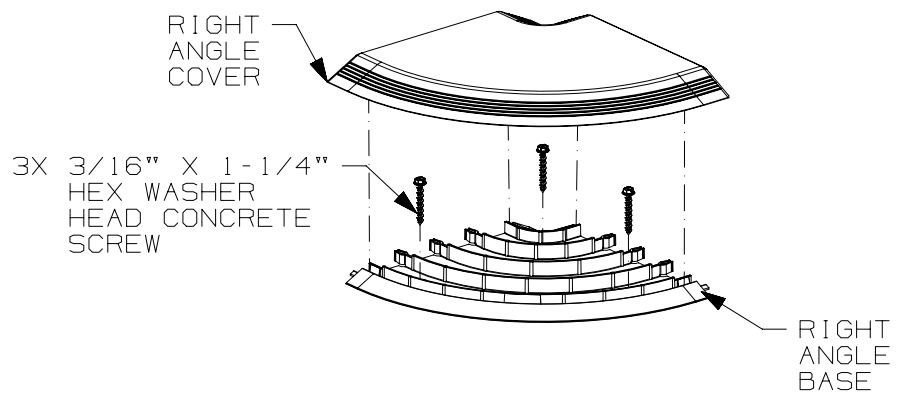


THIS COPY IS PROVIDED ON A RESTRICTED BASIS AND IS NOT TO BE USED IN ANY WAY DETRIMENTAL TO THE INTERESTS OF PANDUIT CORP.



- NOTES:
- VISIT OUR ON-LINE CATALOG AT WWW.PANDUIT.COM FOR A LIST OF CURRENT PARTS APPLICABLE FOR USE WITH THIS PRODUCT.
 - DIMENSIONS IN [] ARE METRIC.
 - WEIGHT: 0.5-1b (0.23-kg)
 - PART INCLUDES:
 - 1- ABOVE FLOOR RACEWAY 4-CHANNEL RIGHT ANGLE BASE
 - 1- ABOVE FLOOR RACEWAY 4-CHANNEL RIGHT ANGLE COVER
 - 4- 3/16" X 1-1/4" HEX WASHER HEAD CONCRETE SCREW
 - RoHS COMPLIANT, UL 94V-0 MATERIAL
 - THIS PRODUCT IS INTENDED TO JOIN SECTIONS OF ABOVE FLOOR RACEWAY TO MAKE HORIZONTAL 90° (RIGHT ANGLES).



**	COLOR
IW	OFF-WHITE
BL	BLACK
OS	OFFICE SLATE

PART NUMBER		AFR4RA**	
TITLE		ABOVE FLOOR RACEWAY 4-CHANNEL RIGHT ANGLE FITTING	
		CUSTOMER DRAWING	
ITEM REVISION NAME		00064EAB/00	
DATASET FILE NAME		00064EAB_DC/00B	
MATERIAL		PVC	
DRAWING NUMBER		00064EAB-DC	
THIRD ANGLE PROJECTION			
DRAWN BY	DATE	CHK	SCALE
BJN	8-22-17	ROJC	NONE
SHEET 1 OF 1		A	

A-SIZE CUSTOMER

REV	DATE	BY	CHK	APR	DESCRIPTION	ECN
00B	6-13-18	BJN	ROJC	AMY	UPDATED NOTES TO INCLUDE (4) SCREWS	00064EAB-DC
00A	8-27-17	BJN	ROJC	AMY	RELEASED TO PRODUCTION	00064EAB-DC