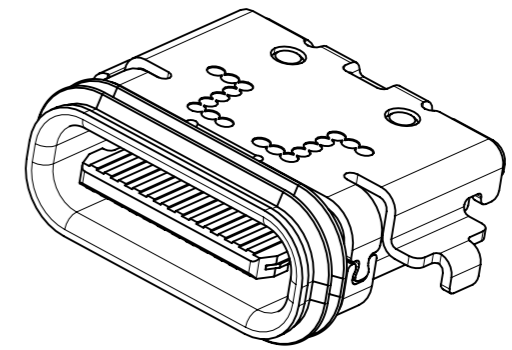
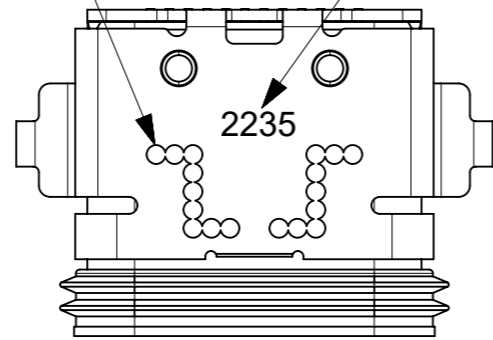
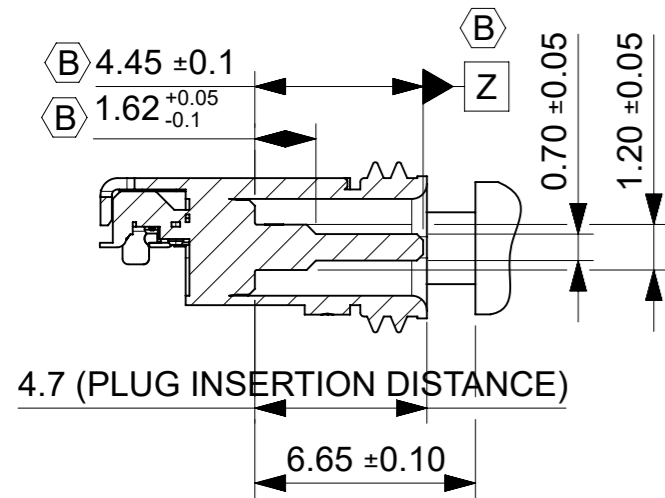


LASER WELDING MARK D/C LOCATION

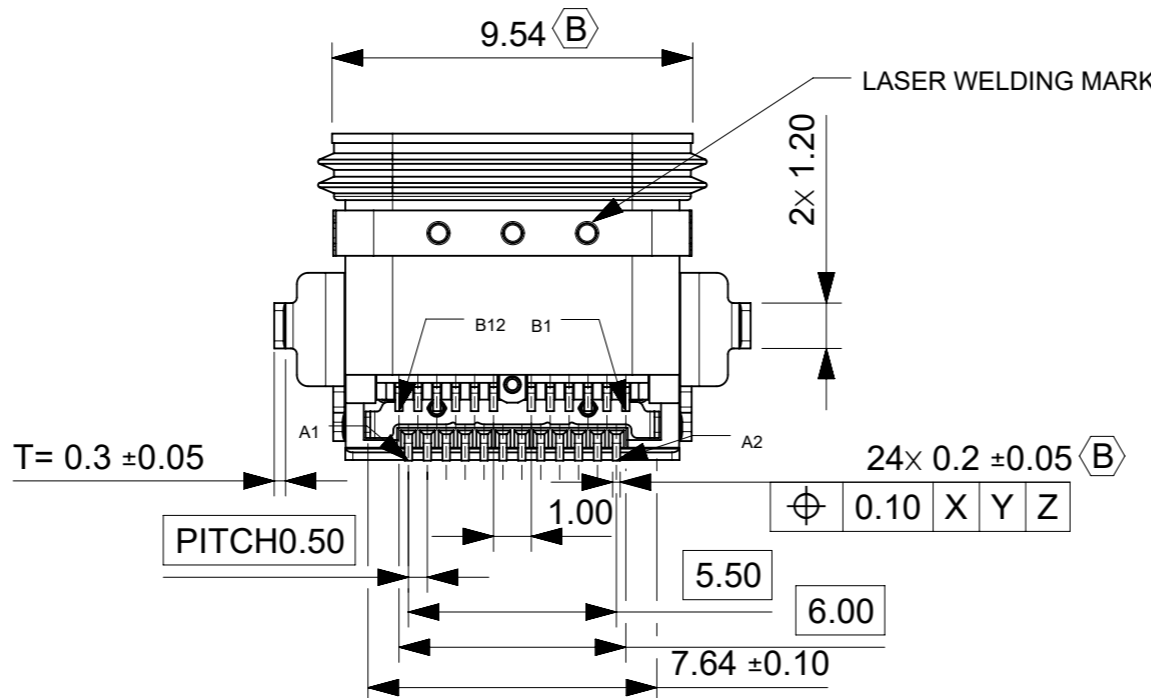
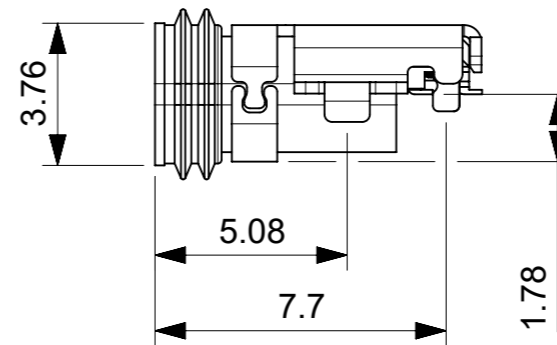
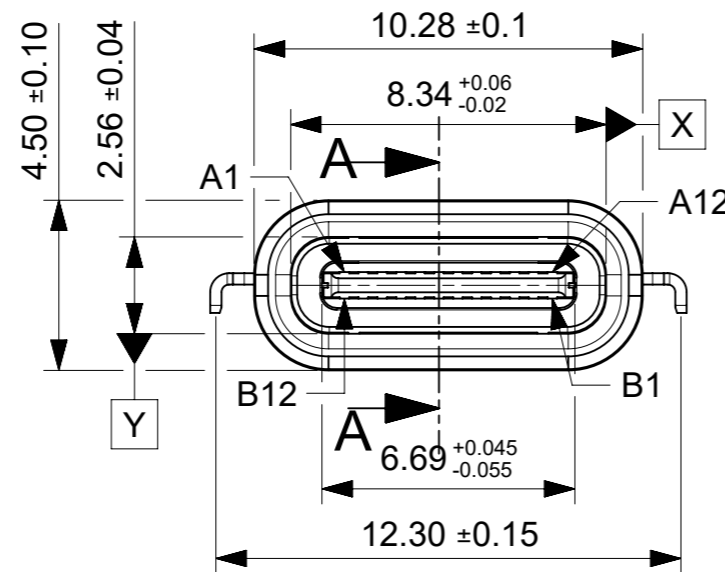
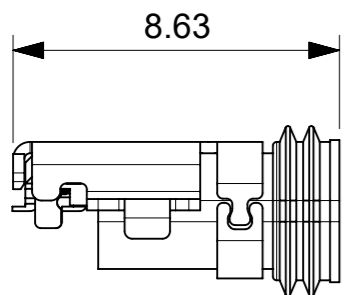


ASSEMBLY 3D

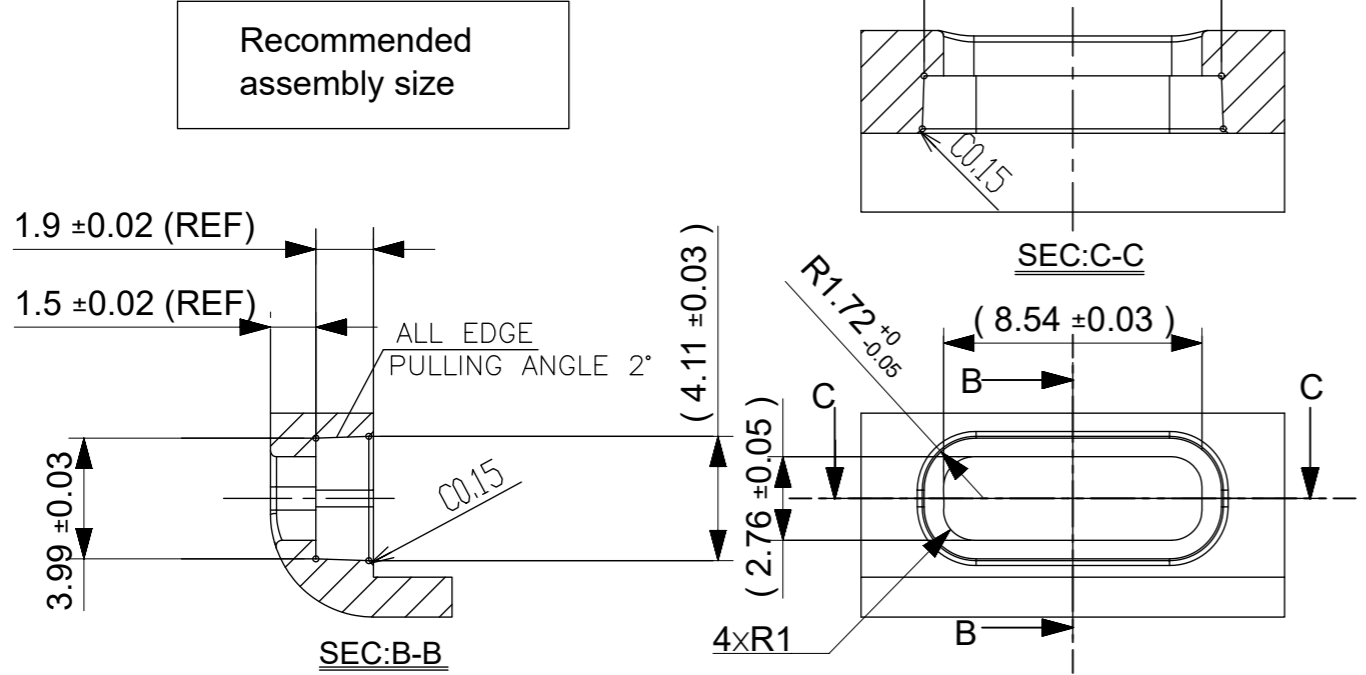
- NOTES:
- MATERIAL SPECIFICATION:
    - INSULATOR : HIGH TEMPERATURE THERMOPLASTIC  
UL94 V-0 COLOUR: BLACK
    - CONTACTS: COPPER ALLOY
    - MID PLATED: STAINLESS STEEL
    - SHELL: STAINLESS STEEL
  - PLATING SPECIFICATION:
    - CONTACTS:
      - NI 50-120u" MIN UNDERPLATED OVER ALL.
      - Au 30u" PLATED ON CONTACT AREA ,
      - Au 1u" MIN ON SOLDER AREA.
    - MID PLATED: NI 50-120u" MIN PLATED OVER ALL.
    - SHELL: NI 50-120 u" MIN PLATED OVER ALL.
  - PRODUCT SPEC REFER TO PS-214068-001
  - PACKAGE SPEC REFER TO 2216320001
  - PRODUCT COMPLANT TO ROHS DIRECTIVE 2011/65/EU
  - WATERPROOF: WATERPROOF MEET THE REQUIREMENTS OF IPX7
  - PLEASE CONTACT YOUR SALES REPRESENTATIVE IF INTENDED FOR AUTOMOTIVE
  - DATE CODE: \*\*\*\*
    - WEEK
    - YEAR



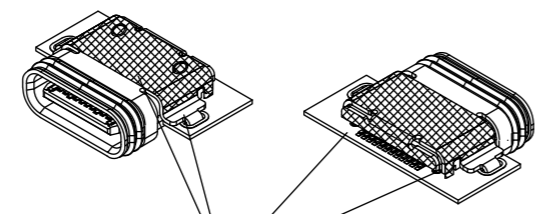
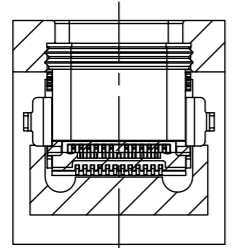
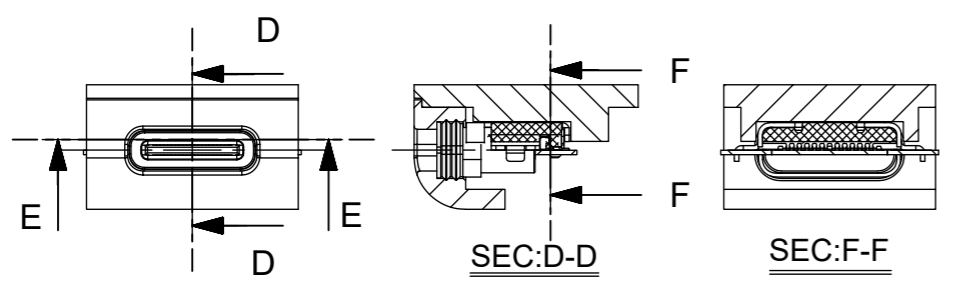
SECTION A-A



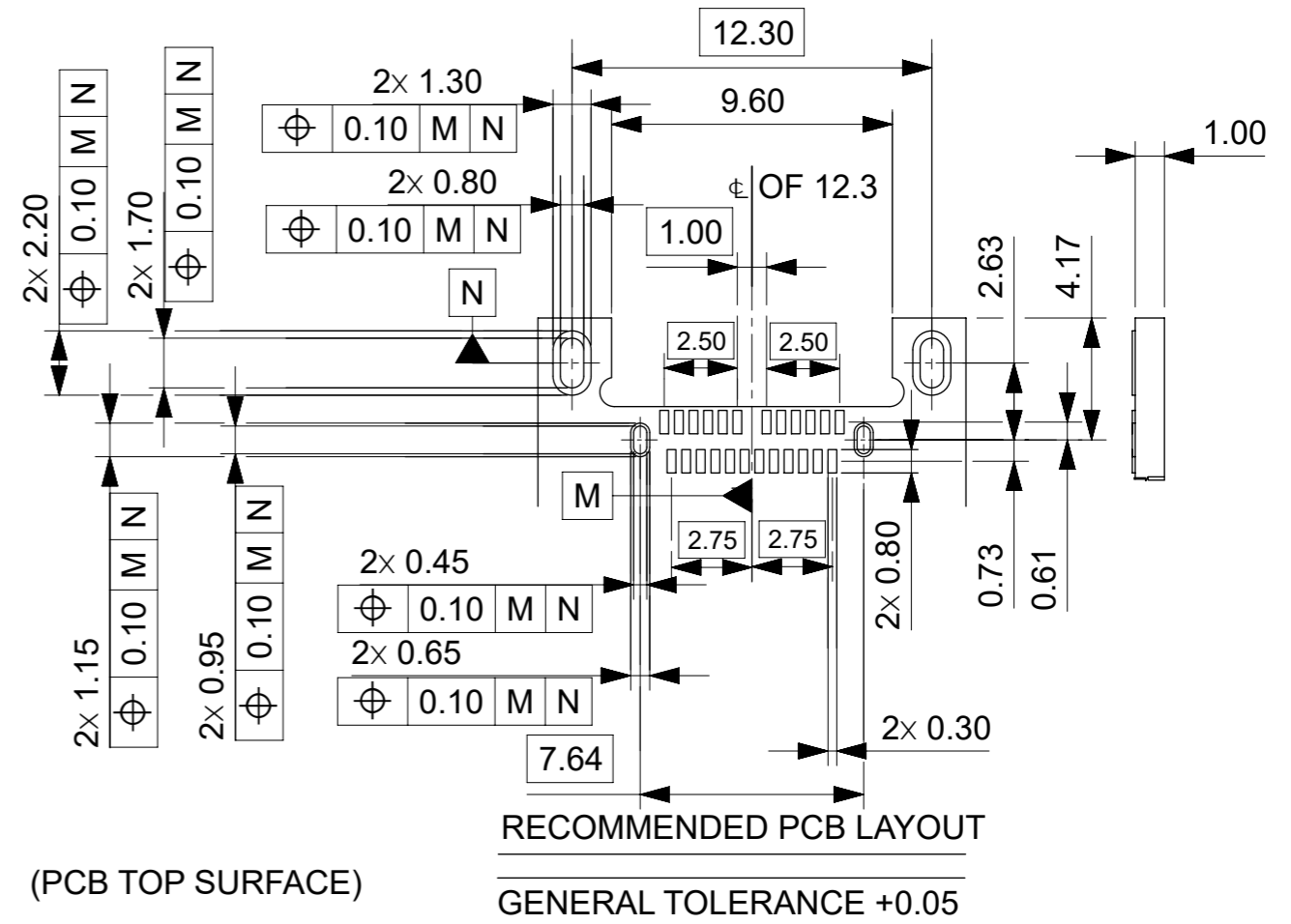
FUNCTIONAL SYMBOLS	THIS DRAWING CONTAINS INFORMATION THAT IS PROPRIETARY TO MOLEX ELECTRONIC TECHNOLOGIES, LLC AND SHOULD NOT BE USED WITHOUT WRITTEN PERMISSION		CURRENT REV DESC: ADJUST TOLERANCE		<b>molex</b>				
	▽A = 0	mm	SCALE	5:1					
▽E = 0	GENERAL TOLERANCES (UNLESS SPECIFIED)				USB TYPE C RECEPTACLE 24PIN IPX7				
▽F = 0	ANGULAR TOL ± 3.0°				PRODUCT CUSTOMER DRAWING				
DIVISIONAL SYMBOLS	4 PLACES	±	EC NO: 740234	2023/02/17	DOCUMENT NUMBER	DOC TYPE	DOC PART	REVISION	
	3 PLACES	±	DRWN: DARIEY	2023/03/17					
	2 PLACES	±	CHK'D: RLI09	2023/03/17	2216320001	PSD	000	B	
	1 PLACE	±	APPR: RLI09	2023/03/17	MATERIAL NUMBER				
	0 PLACES	±	INITIAL REVISION:		CUSTOMER				
DRAFT WHERE APPLICABLE MUST REMAIN WITHIN DIMENSIONS		THIRD ANGLE PROJECTION	DRAWING	SERIES	MATERIAL NUMBER		CUSTOMER		SHEET NUMBER
			A3-SIZE	221632	2216320001		GENERAL MARKET		1 OF 2



Recommended usage



Please hold surface



(PCB TOP SURFACE)

RECOMMENDED PCB LAYOUT  
GENERAL TOLERANCE +0.05

USB Type-C Pin Assignments

Pin Number	Signal Name	Pin Number	Signal Name
A1	GND	B12	GND
A2	SSTXp1	B11	SSRXp1
A3	SSTXn1	B10	SSRXn1
A4	Vbus	B9	Vbus
A5	CC1	B8	SBU2
A6	Dp1	B7	Dn2
A7	Dn1	B6	Dp2
A8	SBU1	B5	CC2
A9	Vbus	B4	Vbus
A10	SSRXn2	B3	SSTXn2
A11	SSRXp2	B2	SSTXp2
A12	GND	B1	GND

FUNCTIONAL SYMBOLS	THIS DRAWING CONTAINS INFORMATION THAT IS PROPRIETARY TO MOLEX ELECTRONIC TECHNOLOGIES, LLC AND SHOULD NOT BE USED WITHOUT WRITTEN PERMISSION		
▽A = 0	DIMENSION UNITS	SCALE	CURRENT REV DESC: ADJUST TOLERANCE
▽E = 0	mm	1:1	<p><b>molex</b></p> <p>USB TYPE C RECEPTACLE 24PIN IPX7</p> <p>PRODUCT CUSTOMER DRAWING</p> <p>DOCUMENT NUMBER: 2216320001   DOC TYPE: PSD   DOC PART: 000   REVISION: B</p> <p>DRAFT WHERE APPLICABLE MUST REMAIN WITHIN DIMENSIONS</p>
▽E = 0	GENERAL TOLERANCES (UNLESS SPECIFIED)		
▽E = 0	ANGULAR TOL ± 3.0°		
DIVISIONAL SYMBOLS	4 PLACES ±		
	3 PLACES ± 0.1		
	2 PLACES ± 0.2		
	1 PLACE ± 0.3		
	0 PLACES ±		
	THIRD ANGLE PROJECTION	DRAWING	SERIES
	⊕	A3-SIZE	221632
		MATERIAL NUMBER	CUSTOMER
		2216320001	GENERAL MARKET
		SHEET NUMBER	2 OF 2