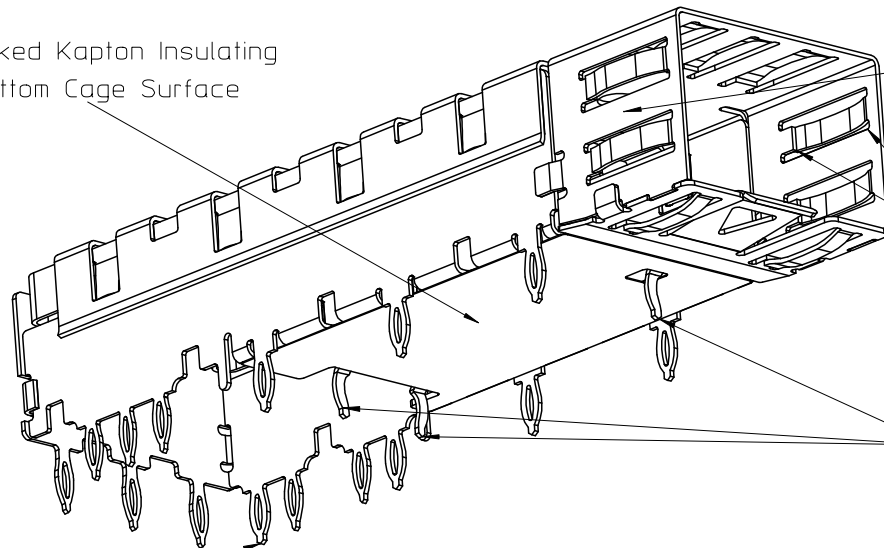


Barrier of .002 Adhesive Backed Kapton Insulating Electrical Tape Affixed to Bottom Cage Surface

Gaps Between Spring Tabs < 0.120" (3.0mm)



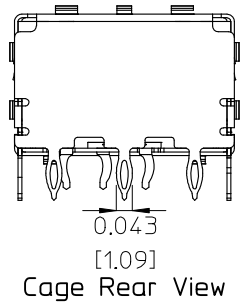
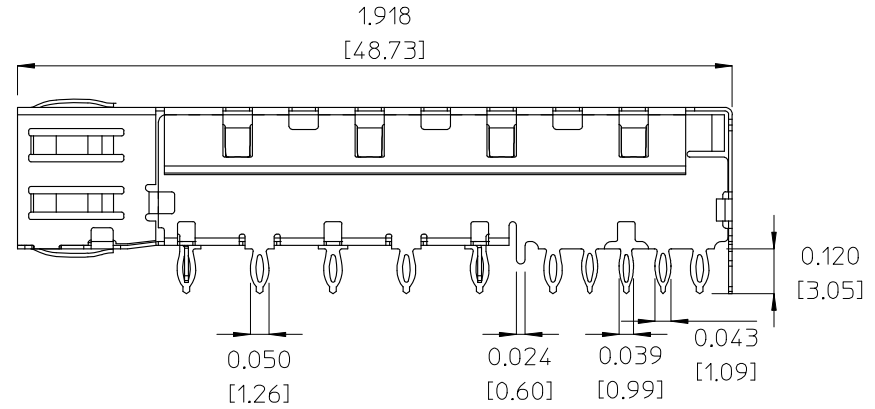
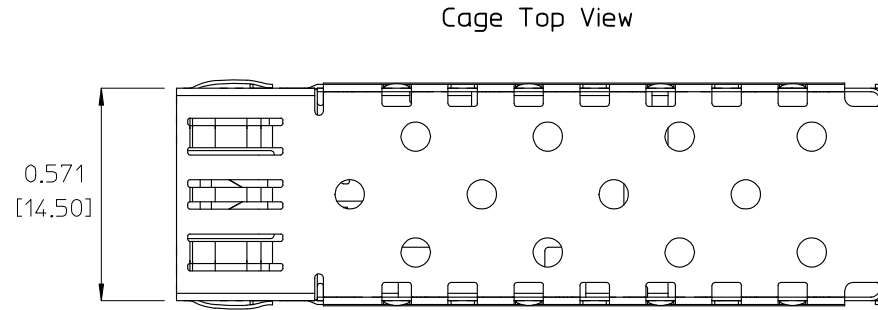
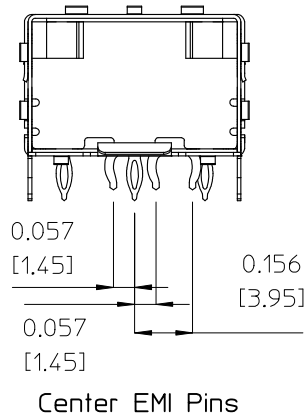
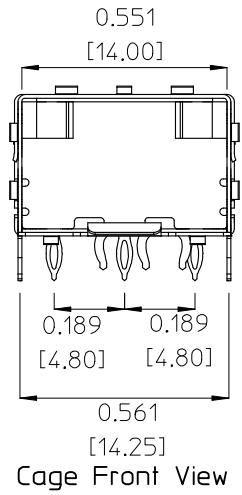
Two Point EMI Spring Contact

Three Center EMI Pins

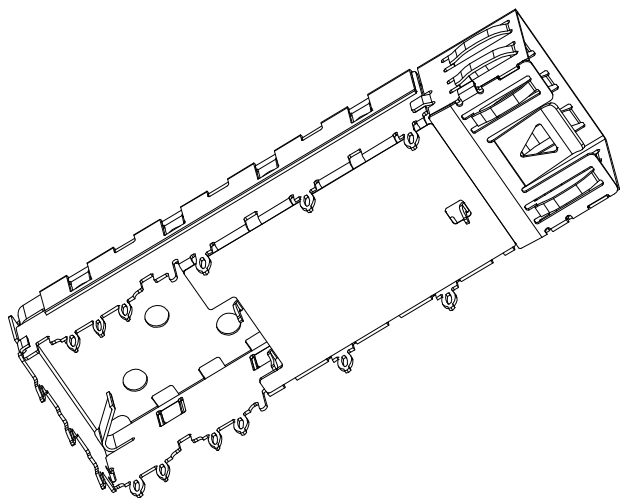
Fifteen press-fit (compliant) pins

Material full-hard, tin plated brass or bronze .010" thick.

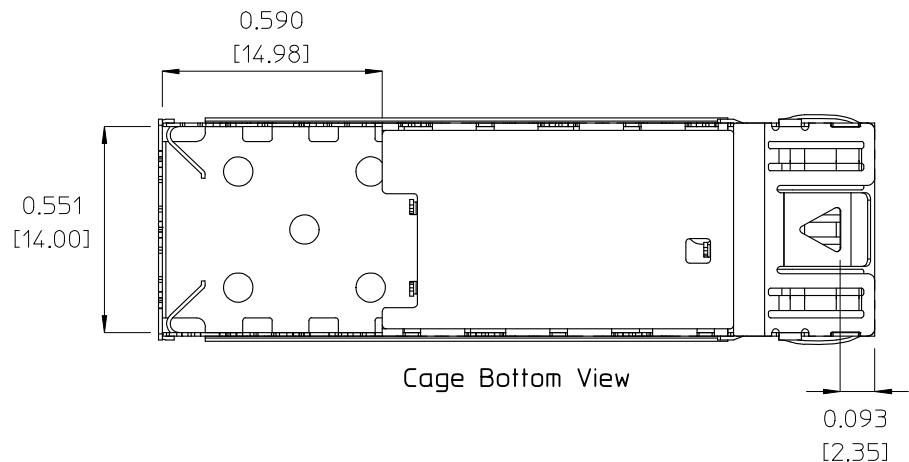
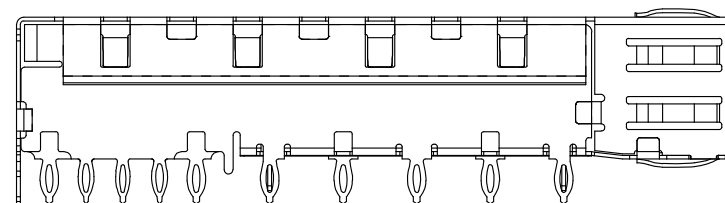
EC NO: UDT2002-0927 DRWN: DIRKERS 2002/01/31 CHKD: DIRKERS 2002/02/05 APPR: DDOYE 2002/02/07	QUALITY SYMBOLS	GENERAL TOLERANCES (UNLESS SPECIFIED)		SCALE 4:1	DESIGN UNITS METRIC	THIRD ANGLE PROJECTION	REVISE ON CAD ONLY
	▼ = 0 ∇ = 0		mm	INCH	DIMENSION STYLE		TITLE
		4 PLACES	± ---	± ---	IN/MM		SFP CAGE ASSEMBLY, 15 PRESS LEGS, 3 EMI CLIPS, KAPTON BARRIER ON BOTTOM
	3 PLACES	± ---	± .002	DRAWN BY	DATE	MOLEX INCORPORATED	
2 PLACES	± 0.05	± ---	DIRKERS	2002/01/31	MATERIAL NO. 73927-0014 DOCUMENT NO. SD-73927-014 SHEET NO. 1 OF 7		
1 PLACE	± ---	± ---	CHECKED BY	DATE			
			ANGULAR ±1/2°		DIRKERS	2002/01/31	
		DRAFT WHERE APPLICABLE		APPROVED BY	DATE		
		MUST REMAIN WITHIN DIMENSIONS		RUSSELL	2002/01/31		
		THIS DRAWING CONTAINS INFORMATION THAT IS PROPRIETARY TO MOLEX INCORPORATED AND SHOULD NOT BE USED WITHOUT WRITTEN PERMISSION					



EC NO: U0020020927 DRWN:DIRKERS 2002/01/31 CHKD:DIRKERS 2002/02/05 APPR:DDOYE 2002/02/07	QUALITY SYMBOLS	GENERAL TOLERANCES (UNLESS SPECIFIED)	SCALE 3:1	DESIGN UNITS METRIC	THIRD ANGLE PROJECTION	REVISE ON CAD ONLY
	▽ = 0 ∇ = 0	mm	INCH	DIMENSION STYLE IN/MM		TITLE SFP CAGE ASSEMBLY, 15 PRESS LEGS, 3 EMI CLIPS, KAPTON BARRIER ON BOTTOM MOLEX INCORPORATED
		4 PLACES ± --- ± ---	3 PLACES ± --- ± .002	DRAWN BY DIRKERS	DATE 2002/01/31	
	DESCRIPTION	2 PLACES ± 0.05 ± ---	1 PLACE ± --- ± ---	CHECKED BY DIRKERS	DATE 2002/01/31	MATERIAL NO. 73927-0014
ANGULAR ±1/2°		APPROVED BY RUSSELL	DATE 2002/01/31	SHEET NO. 2 OF 7		
A	REV	DRAFT WHERE APPLICABLE MUST REMAIN WITHIN DIMENSIONS		THIS DRAWING CONTAINS INFORMATION THAT IS PROPRIETARY TO MOLEX INCORPORATED AND SHOULD NOT BE USED WITHOUT WRITTEN PERMISSION		



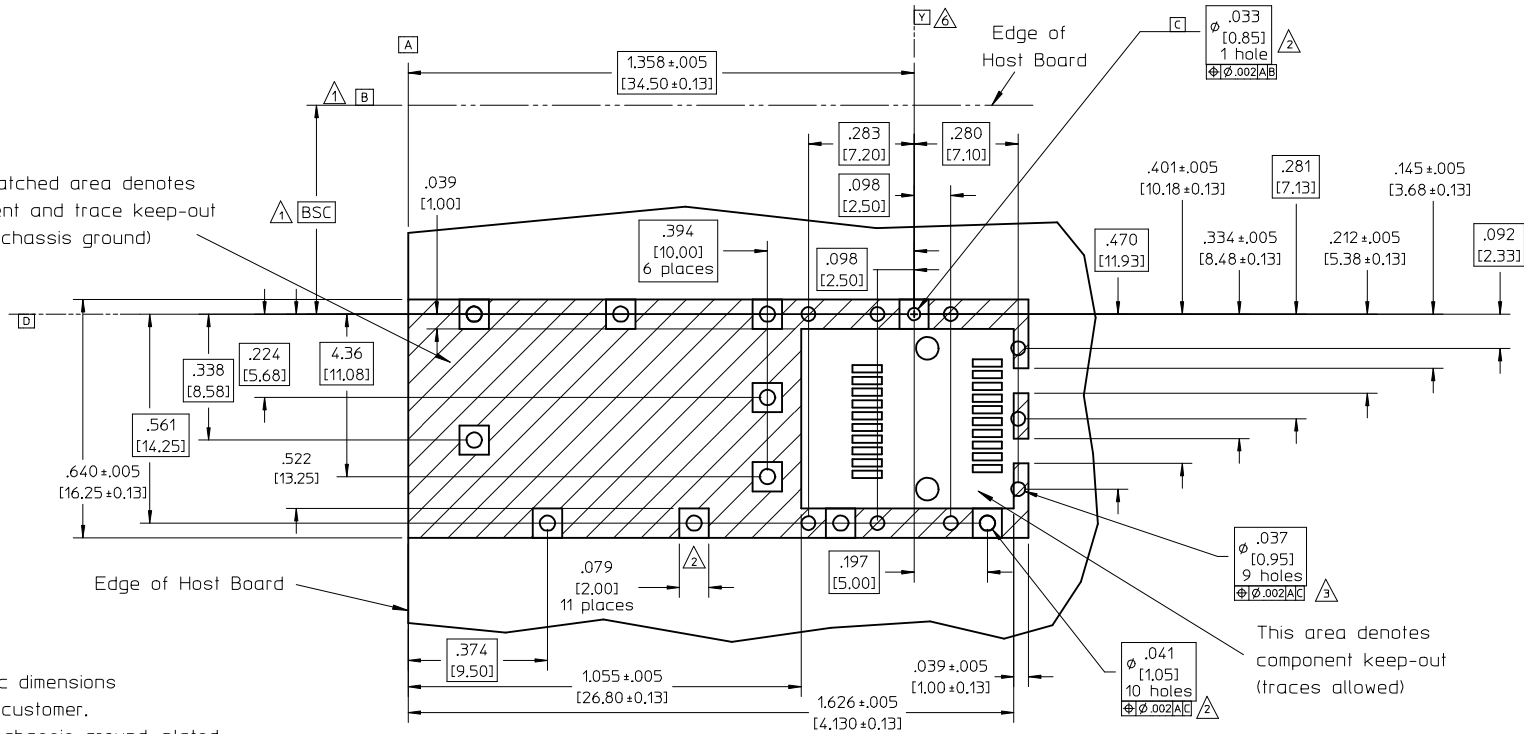
Isometric
Scale 2.5:1



Cage Bottom View

EC NO: UDT2002-0927 DRWN: DIRKERS 2002/01/31 CHKD: DIRKERS 2002/02/05 APPR: DDOYE 2002/02/07	QUALITY SYMBOLS	GENERAL TOLERANCES (UNLESS SPECIFIED)	SCALE 3:1	DESIGN UNITS METRIC	THIRD ANGLE PROJECTION	REVISE ON CAD ONLY	
	DESCRIPTION ▽ = 0 ∇ = 0	mm	INCH	DIMENSION STYLE IN/MM		TITLE	
		4 PLACES ± --- ± ---		DRAWN BY DIRKERS	DATE 2002/01/31	SFP CAGE ASSEMBLY, 15 PRESS LEGS, 3 EMI CLIPS, KAPTON BARRIER ON BOTTOM MOLEX INCORPORATED	
		3 PLACES ± --- ± .002		CHECKED BY DIRKERS	DATE 2002/01/31		
2 PLACES ± 0.05 ± ---		APPROVED BY RUSSELL	DATE 2002/01/31	MATERIAL NO. 73927-0009	DOCUMENT NO. SD-73927-014	SHEET NO. 3 OF 7	
A	REV	DESCRIPTION	DRAFT WHERE APPLICABLE MUST REMAIN WITHIN DIMENSIONS		THIS DRAWING CONTAINS INFORMATION THAT IS PROPRIETARY TO MOLEX INCORPORATED AND SHOULD NOT BE USED WITHOUT WRITTEN PERMISSION		

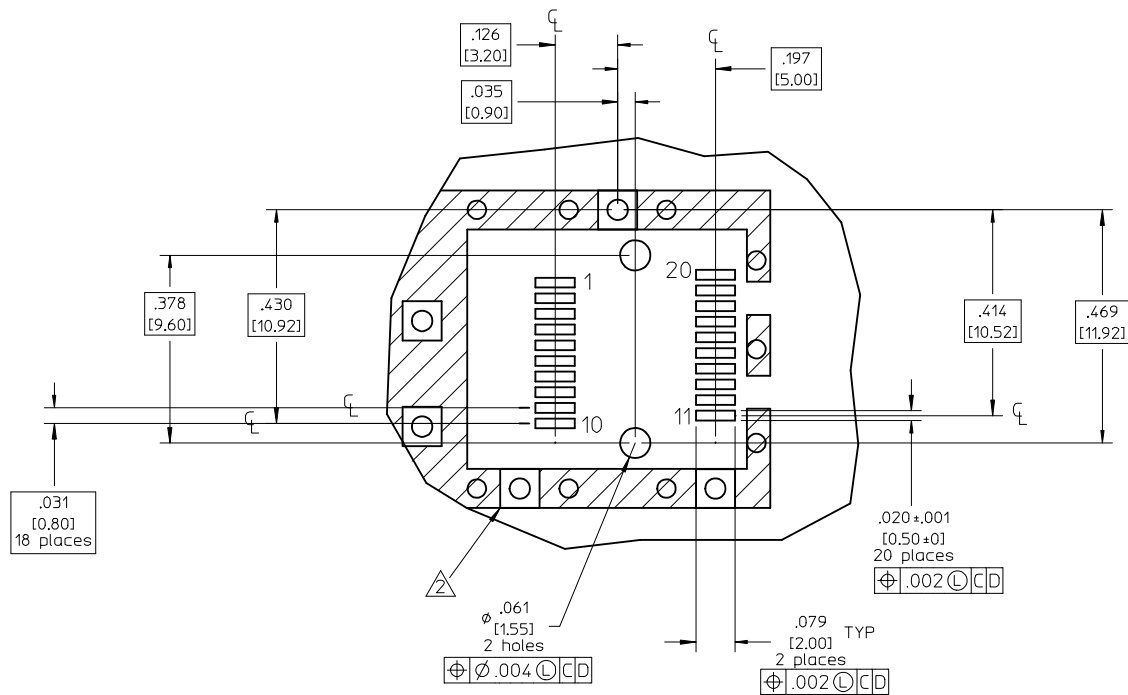
Cross-hatched area denotes component and trace keep-out (except chassis ground)



- ▲ Datum and basic dimensions established by customer.
- ▲ Vias and pads chassis ground, plated through, 11 places. Pads optional.
- ▲ Holes optionally plated through.
- 4 Hole pattern allows two parts to be mounted "belly-to-belly" on .062"-.125" nom. boards. Hole layout shown for one side only. Transceiver profile determines minimum board thickness in "belly-to-belly" applications.
- ▲ Cage datum Y shown for reference to cage, only.

This area denotes component keep-out (traces allowed)

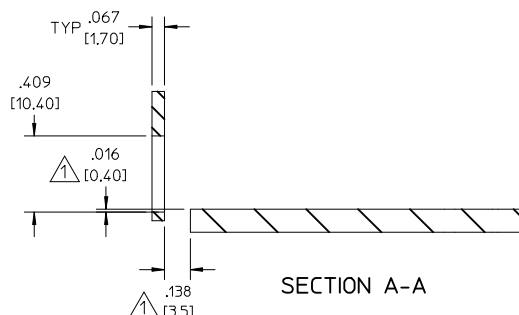
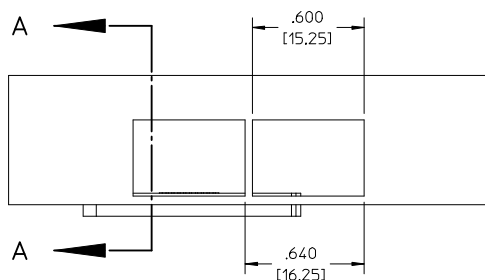
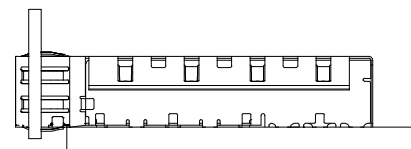
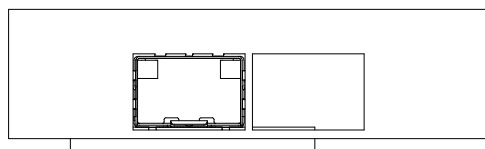
EC NO: UDT2002-0927 DRWN: DIRKERS 2002/01/31 CHKD: DIRKERS 2002/02/05 APPR: DDOYE 2002/02/07	QUALITY SYMBOLS	GENERAL TOLERANCES (UNLESS SPECIFIED)	SCALE 3:1	DESIGN UNITS METRIC	THIRD ANGLE PROJECTION	REVISE ON CAD ONLY
	DESCRIPTION ▼ = 0 ∇ = 0	mm	INCH	DIMENSION STYLE IN/MM		TITLE SFP CAGE ASSEMBLY, 15 PRESS LEGS, 3 EMI CLIPS, KAPTON BARRIER ON BOTTOM
		4 PLACES ± --- ± ---	3 PLACES ± --- ± .002	2 PLACES ± 0.05 ± ---	1 PLACE ± --- ± ---	
	A	ANGULAR ± 1/2°	DRAFT WHERE APPLICABLE		APPROVED BY: RUSSELL	DATE: 2002/01/31
MUST REMAIN WITHIN DIMENSIONS		THIS DRAWING CONTAINS INFORMATION THAT IS PROPRIETARY TO MOLEX INCORPORATED AND SHOULD NOT BE USED WITHOUT WRITTEN PERMISSION				



1. Connector pad pattern per MSA, will accommodate surface mount Molex connector 74441 or equivalent.

△ Cage mounting pads not required for press-fit application.


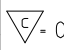
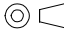
EC NO: UDT2002-0927 DRWN: DIRKERS 2002/01/31 CHKD: DIRKERS 2002/02/05 APPR: DDOYE 2002/02/07	QUALITY SYMBOLS	GENERAL TOLERANCES (UNLESS SPECIFIED)	SCALE 3:1	DESIGN UNITS METRIC	THIRD ANGLE PROJECTION	REVISE ON CAD ONLY
	DESCRIPTION ▽ = 0 ∇ = 0	mm INCH	DIMENSION STYLE IN/MM		TITLE	
		4 PLACES ± --- ± ---	DRAWN BY DIRKERS DATE 2002/01/31		SFP CAGE ASSEMBLY, 15 PRESS LEGS, 3 EMI CLIPS, KAPTON BARRIER ON BOTTOM MOLEX MOLEX INCORPORATED	
		3 PLACES ± --- ± .002	CHECKED BY DIRKERS DATE 2002/01/31			
2 PLACES ± 0.05 ± ---	APPROVED BY RUSSELL DATE 2002/01/31		MATERIAL NO. 73927-0014	DOCUMENT NO. SD-73927-014	SHEET NO. 5 OF 7	
A	1 PLACE ± --- ± --- ANGULAR ± 1/2° DRAFT WHERE APPLICABLE MUST REMAIN WITHIN DIMENSIONS	THIS DRAWING CONTAINS INFORMATION THAT IS PROPRIETARY TO MOLEX INCORPORATED AND SHOULD NOT BE USED WITHOUT WRITTEN PERMISSION				



1. Relational geometry per MSA standard.

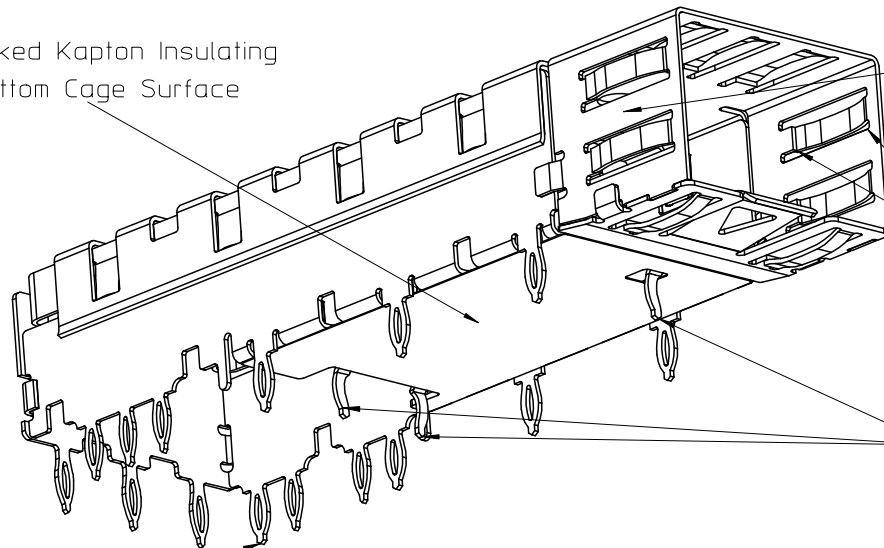
EC NO: WDT2002-0927 DRWN: DIRKERS 2002/01/31 CHKD: DIRKERS 2002/02/05 APPR: DDOYE 2002/02/07	QUALITY SYMBOLS	GENERAL TOLERANCES (UNLESS SPECIFIED)	SCALE 1.5:1	DESIGN UNITS METRIC	THIRD ANGLE PROJECTION	REVISE ON CAD ONLY
	DESCRIPTION ▽ = 0 ∇ = 0	mm INCH 4 PLACES ± --- ± --- 3 PLACES ± --- ± .002 2 PLACES ± 0.05 ± --- 1 PLACE ± --- ± ---	DIMENSION STYLE IN/MM		TITLE SFP CAGE ASSEMBLY, 15 PRESS LEGS, 3 EMI CLIPS, KAPTON BARRIER ON BOTTOM	
		ANGULAR ±1/2°	DRAWN BY DIRKERS	DATE 2002/01/31	MATERIAL NO. 73927-0014	
	DRAFT WHERE APPLICABLE MUST REMAIN WITHIN DIMENSIONS	APPROVED BY RUSSELL	DATE 2002/01/31	DOCUMENT NO. SD-73927-014	SHEET NO. 6 OF 7	MOLEX INCORPORATED THIS DRAWING CONTAINS INFORMATION THAT IS PROPRIETARY TO MOLEX INCORPORATED AND SHOULD NOT BE USED WITHOUT WRITTEN PERMISSION

DATE	REV	CHANGES	REASONS	APPROVAL
2002/01/31	A	INITIAL DRAWING BASED UPON 73927-0009	CUSTOMER WANTS INSULATING TAPE ON BTM SURFACE	CD

EC NO: UDT2002-0927 DRWN: DIRKERS 2002/01/31 CHK: DIRKERS APPR: DDOYE 2002/02/07	QUALITY SYMBOLS  = 0  = 0	GENERAL TOLERANCES (UNLESS SPECIFIED)		SCALE 1:1	DESIGN UNITS METRIC	 THIRD ANGLE PROJECTION	REVISE ON CAD ONLY		
		mm	INCH	DIMENSION STYLE IN/MM			TITLE SFP CAGE ASSEMBLY, 15 PRESS LEGS, 3 EMI CLIPS, KAPTON BARRIER ON BOTTOM		
		4 PLACES ± ---	± ---	DRAWN BY	DATE	MOLEX INCORPORATED			
		3 PLACES ± ---	± .002	DIRKERS	2002/01/31			MATERIAL NO. 73927-0014 DOCUMENT NO. SD-73927-014 SHEET NO. 7 OF 7	
2 PLACES ± 0.05	± ---	CHECKED BY	DATE	THIS DRAWING CONTAINS INFORMATION THAT IS PROPRIETARY TO MOLEX INCORPORATED AND SHOULD NOT BE USED WITHOUT WRITTEN PERMISSION					
1 PLACE ± ---	± ---	DIRKERS	2002/01/31						
ANGULAR ± 1/2 °		APPROVED BY		DATE		MATERIAL NO.		DOCUMENT NO.	SHEET NO.
DRAFT WHERE APPLICABLE MUST REMAIN WITHIN DIMENSIONS		RUSSELL		2002/01/31		73927-0014		SD-73927-014	7 OF 7

Barrier of .002 Adhesive Backed Kapton Insulating Electrical Tape Affixed to Bottom Cage Surface

Gaps Between Spring Tabs < 0.120" (3.0mm)



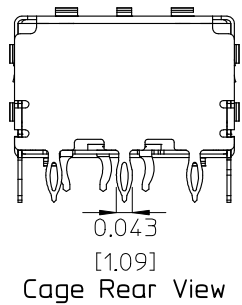
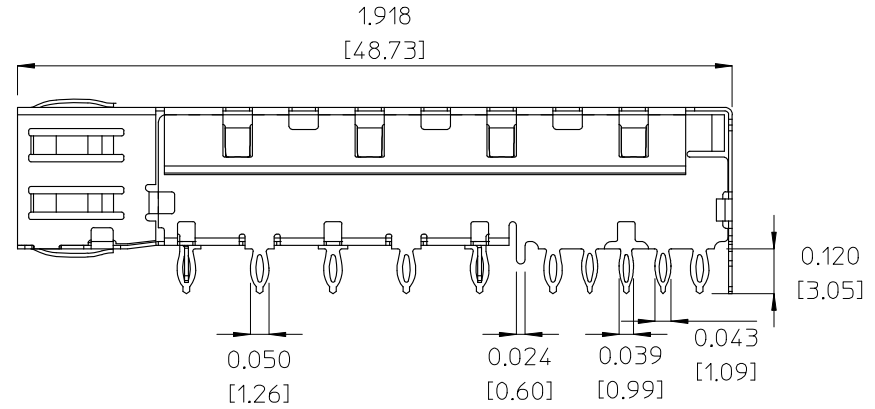
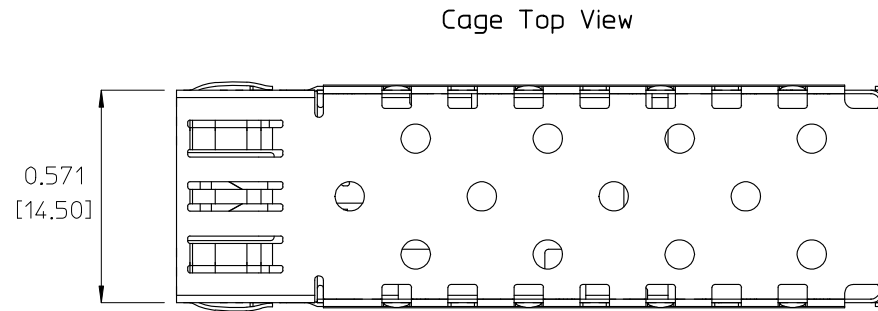
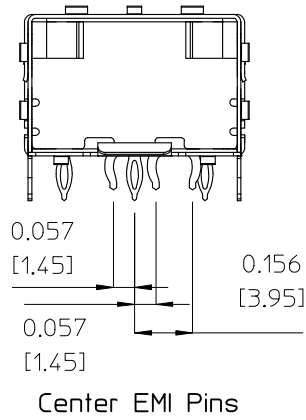
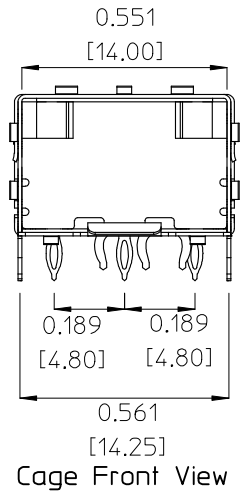
Two Point EMI Spring Contact

Three Center EMI Pins

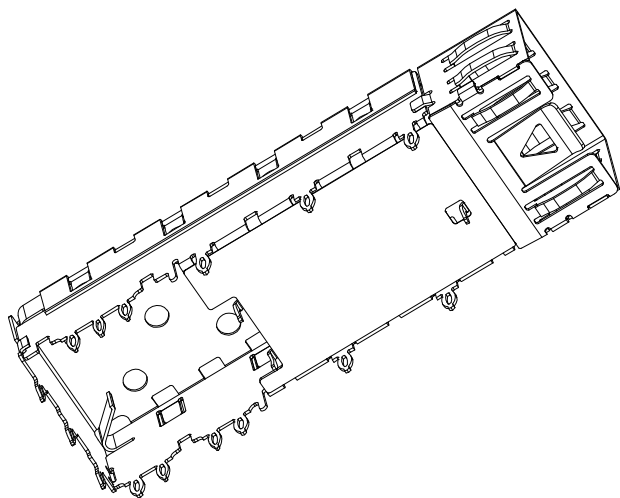
Fifteen press-fit (compliant) pins

Material full-hard, tin plated brass or bronze .010" thick.

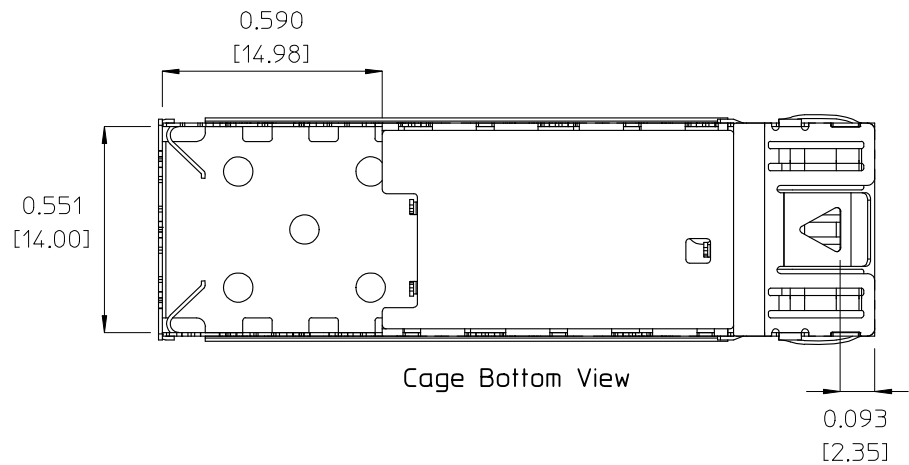
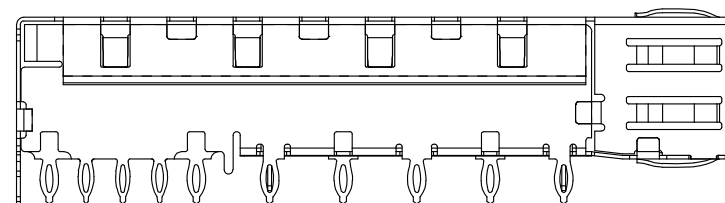
EC NO: UDT2002-0927 DRWN: DIRKERS 2002/01/31 CHKD: DIRKERS 2002/02/05 APPR: DDOYE 2002/02/07	QUALITY SYMBOLS	GENERAL TOLERANCES (UNLESS SPECIFIED)		SCALE 4:1	DESIGN UNITS METRIC	THIRD ANGLE PROJECTION	REVISE ON CAD ONLY	
	DESCRIPTION ▽ = 0 C = 0		mm	INCH	DIMENSION STYLE IN/MM		TITLE	
		4 PLACES	± ---	± ---	DRAWN BY	DATE	SFP CAGE ASSEMBLY, 15 PRESS LEGS, 3 EMI CLIPS, KAPTON BARRIER ON BOTTOM	
		3 PLACES	± ---	± .002	DIRKERS	2002/01/31		
2 PLACES	± 0.05	± ---	CHECKED BY	DATE	MOLEX INCORPORATED			
1 PLACE	± ---	± ---	DIRKERS	2002/01/31				
		ANGULAR ±1/2°		APPROVED BY	DATE	MATERIAL NO.	DOCUMENT NO.	
		DRAFT WHERE APPLICABLE		RUSSELL	2002/01/31	73927-0014	SD-73927-014	
		MUST REMAIN WITHIN DIMENSIONS		SHEET NO. 1 OF 7				
		THIS DRAWING CONTAINS INFORMATION THAT IS PROPRIETARY TO MOLEX INCORPORATED AND SHOULD NOT BE USED WITHOUT WRITTEN PERMISSION						



EC NO: U0020020927 DRWN: DIRKERS 2002/01/31 CHKD: DIRKERS 2002/02/05 APPR: DDOYE 2002/02/07	QUALITY SYMBOLS	GENERAL TOLERANCES (UNLESS SPECIFIED)	SCALE 3:1	DESIGN UNITS METRIC	THIRD ANGLE PROJECTION	REVISE ON CAD ONLY
	DESCRIPTION ▽ = 0 ∇ = 0	mm	INCH	DIMENSION STYLE IN/MM		TITLE SFP CAGE ASSEMBLY, 15 PRESS LEGS, 3 EMI CLIPS, KAPTON BARRIER ON BOTTOM MOLEX INCORPORATED
		4 PLACES ± --- ± ---	3 PLACES ± --- ± .002	DRAWN BY DIRKERS	DATE 2002/01/31	
		2 PLACES ± 0.05 ± ---	1 PLACE ± --- ± ---	CHECKED BY DIRKERS	DATE 2002/01/31	
ANGULAR ± 1/2°	DRAFT WHERE APPLICABLE MUST REMAIN WITHIN DIMENSIONS		APPROVED BY RUSSELL	DATE 2002/01/31	MATERIAL NO. 73927-0014	DOCUMENT NO. SD-73927-014
REV A	THIS DRAWING CONTAINS INFORMATION THAT IS PROPRIETARY TO MOLEX INCORPORATED AND SHOULD NOT BE USED WITHOUT WRITTEN PERMISSION					SHEET NO. 2 OF 7



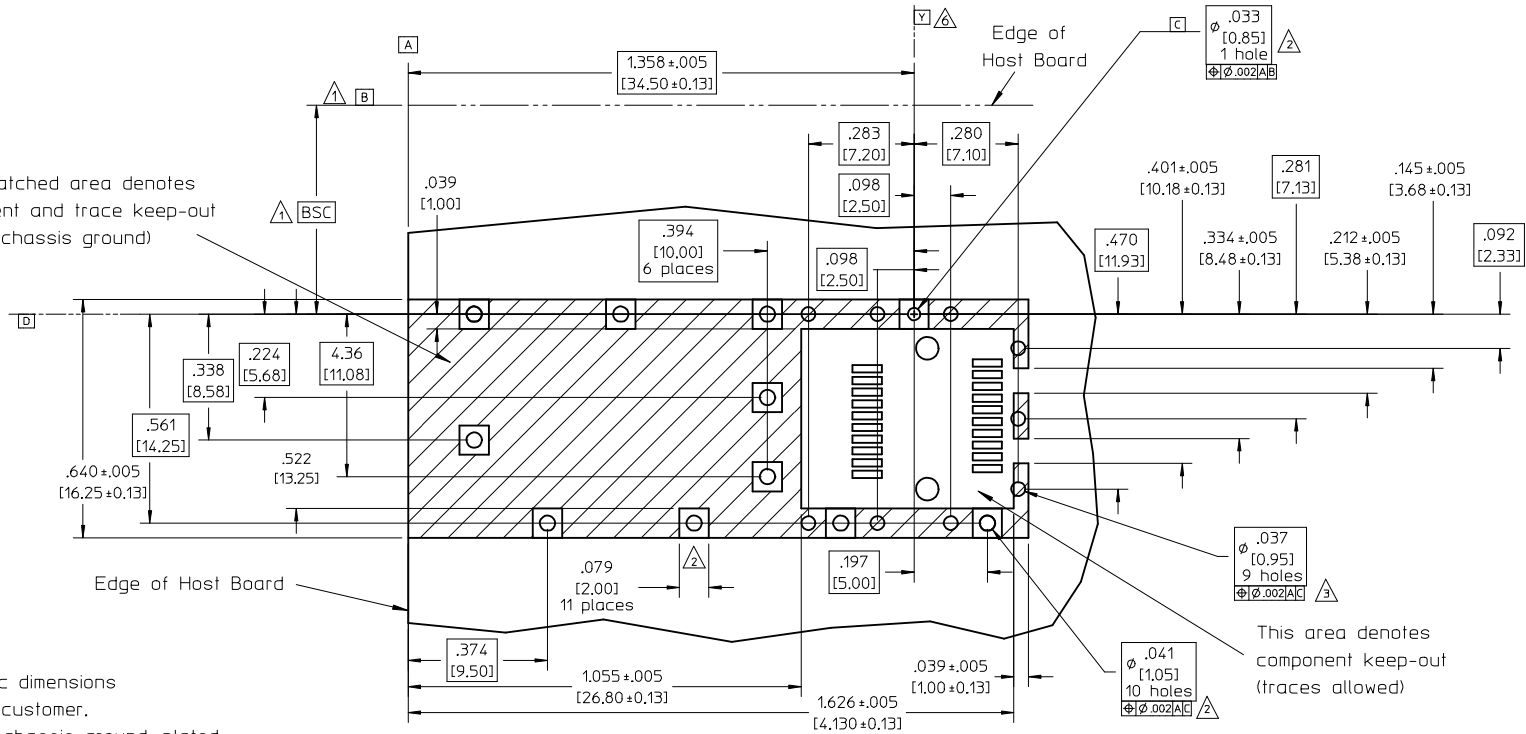
Isometric
Scale 2.5:1



Cage Bottom View

EC NO: UDT2002-0927 DRWN: DIRKERS 2002/01/31 CHKD: DIRKERS 2002/02/05 APPR: DDOYE 2002/02/07	QUALITY SYMBOLS	GENERAL TOLERANCES (UNLESS SPECIFIED)	SCALE 3:1	DESIGN UNITS METRIC	THIRD ANGLE PROJECTION	REVISE ON CAD ONLY
	▼ = 0 ∇ = 0	mm	INCH	DIMENSION STYLE IN/MM		TITLE SFP CAGE ASSEMBLY, 15 PRESS LEGS, 3 EMI CLIPS, KAPTON BARRIER ON BOTTOM MOLEX INCORPORATED
		4 PLACES ± --- ± ---	3 PLACES ± --- ± .002	2 PLACES ± 0.05 ± ---	1 PLACE ± --- ± ---	
	ANGULAR ± 1/2°		DRAFT WHERE APPLICABLE MUST REMAIN WITHIN DIMENSIONS		APPROVED BY RUSSELL DATE 2002/01/31 MATERIAL NO. 73927-0009 DOCUMENT NO. SD-73927-014 SHEET NO. 3 OF 7	
				THIS DRAWING CONTAINS INFORMATION THAT IS PROPRIETARY TO MOLEX INCORPORATED AND SHOULD NOT BE USED WITHOUT WRITTEN PERMISSION		

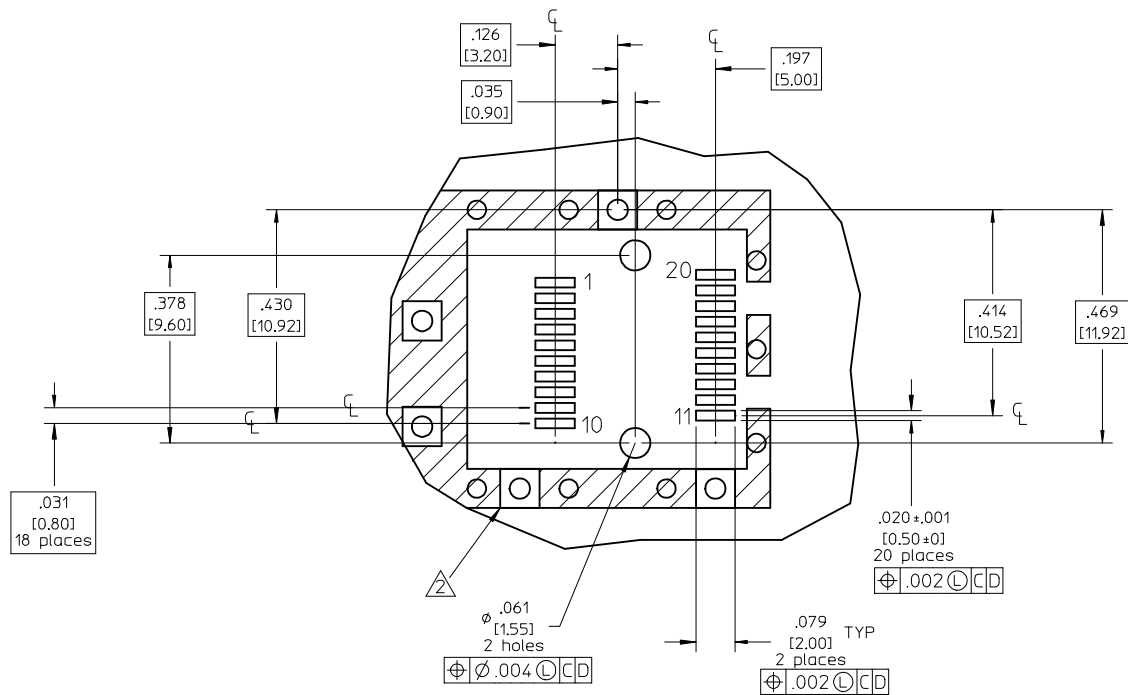
Cross-hatched area denotes component and trace keep-out (except chassis ground)



This area denotes component keep-out (traces allowed)

- ▲ Datum and basic dimensions established by customer.
- ▲ Vias and pads chassis ground, plated through, 11 places. Pads optional.
- ▲ Holes optionally plated through.
- 4 Hole pattern allows two parts to be mounted "belly-to-belly" on .062"-.125" nom. boards. Hole layout shown for one side only. Transceiver profile determines minimum board thickness in "belly-to-belly" applications.
- ▲ Cage datum Y shown for reference to cage, only.

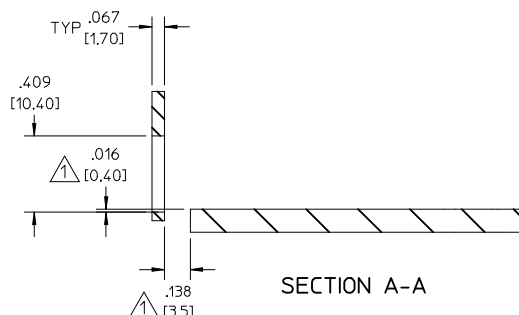
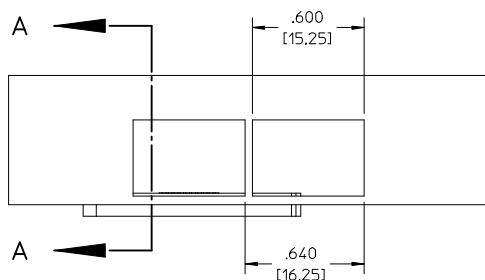
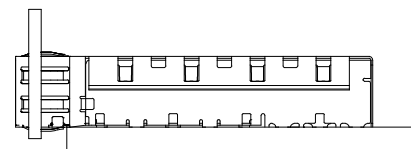
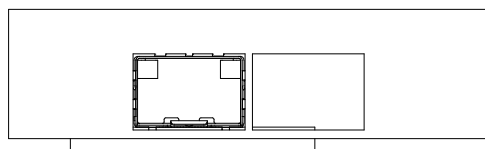
EC NO: UDT2002-0927 DRWN: DIRKERS 2002/01/31 CHKD: DIRKERS 2002/02/05 APPR: DDOYE 2002/02/07	QUALITY SYMBOLS	GENERAL TOLERANCES (UNLESS SPECIFIED)	SCALE 3:1	DESIGN UNITS METRIC	THIRD ANGLE PROJECTION	REVISE ON CAD ONLY	
	DESCRIPTION ▼ = 0 ∇ = 0	mm	INCH	DIMENSION STYLE IN/MM		TITLE	
		4 PLACES ± --- ± ---	3 PLACES ± --- ± .002	2 PLACES ± 0.05 ± ---	1 PLACE ± --- ± ---	SFP CAGE ASSEMBLY, 15 PRESS LEGS, 3 EMI CLIPS, KAPTON BARRIER ON BOTTOM	
	A	ANGULAR ± 1/2°		DRAWN BY DIRKERS	DATE 2002/01/31	MOLEX INCORPORATED	
DRAFT WHERE APPLICABLE MUST REMAIN WITHIN DIMENSIONS		CHECKED BY DIRKERS	DATE 2002/01/31	MATERIAL NO. 73927-0014	DOCUMENT NO. SD-73927-014	SHEET NO. 4 OF 7	



1. Connector pad pattern per MSA, will accommodate surface mount Molex connector 74441 or equivalent.

△ Cage mounting pads not required for press-fit application.

EC NO: UDT2002-0927 DRWN: DIRKERS 2002/01/31 CHKD: DIRKERS 2002/02/05 APPR: DDOYE 2002/02/07	QUALITY SYMBOLS	GENERAL TOLERANCES (UNLESS SPECIFIED)	SCALE 3:1	DESIGN UNITS METRIC	THIRD ANGLE PROJECTION	REVISE ON CAD ONLY
	DESCRIPTION ▽ = 0 ∇ = 0	mm INCH	DIMENSION STYLE IN/MM		TITLE	
		4 PLACES ± --- ± ---	DRAWN BY DATE		SFP CAGE ASSEMBLY, 15 PRESS LEGS, 3 EMI CLIPS, KAPTON BARRIER ON BOTTOM MOLEX INCORPORATED	
		3 PLACES ± --- ± .002	DIRKERS 2002/01/31			
2 PLACES ± 0.05 ± ---	CHECKED BY DATE		MATERIAL NO.	DOCUMENT NO.	SHEET NO.	
1 PLACE ± --- ± ---	DIRKERS 2002/01/31		73927-0014	SD-73927-014	5 OF 7	
ANGULAR ± 1/2°		APPROVED BY DATE		THIS DRAWING CONTAINS INFORMATION THAT IS PROPRIETARY TO MOLEX INCORPORATED AND SHOULD NOT BE USED WITHOUT WRITTEN PERMISSION		
DRAFT WHERE APPLICABLE MUST REMAIN WITHIN DIMENSIONS		RUSSELL 2002/01/31				



1. Relational geometry per MSA standard.

EC NO: <u>WDT2002-0927</u> DRWN: DIRKERS 2002/01/31 CHKD: DIRKERS 2002/02/05 APPR: DDOYE 2002/02/07	QUALITY SYMBOLS ▽ = 0 ▽ = 0	GENERAL TOLERANCES (UNLESS SPECIFIED) mm INCH 4 PLACES ± --- ± --- 3 PLACES ± --- ± .002 2 PLACES ± 0.05 ± --- 1 PLACE ± --- ± --- ANGULAR ± 1/2° DRAFT WHERE APPLICABLE MUST REMAIN WITHIN DIMENSIONS	SCALE 1.5:1 DESIGN UNITS METRIC DIMENSION STYLE IN/MM DRAWN BY DIRKERS DATE 2002/01/31 CHECKED BY DIRKERS DATE 2002/01/31 APPROVED BY RUSSELL DATE 2002/01/31	THIRD ANGLE PROJECTION REVISE ON CAD ONLY	TITLE SFP CAGE ASSEMBLY, 15 PRESS LEGS, 3 EMI CLIPS, KAPTON BARRIER ON BOTTOM MOLEX INCORPORATED	MATERIAL NO. 73927-0014 DOCUMENT NO. SD-73927-014 SHEET NO. 6 OF 7
	DESCRIPTION	THIS DRAWING CONTAINS INFORMATION THAT IS PROPRIETARY TO MOLEX INCORPORATED AND SHOULD NOT BE USED WITHOUT WRITTEN PERMISSION	THIS DRAWING CONTAINS INFORMATION THAT IS PROPRIETARY TO MOLEX INCORPORATED AND SHOULD NOT BE USED WITHOUT WRITTEN PERMISSION	THIS DRAWING CONTAINS INFORMATION THAT IS PROPRIETARY TO MOLEX INCORPORATED AND SHOULD NOT BE USED WITHOUT WRITTEN PERMISSION	THIS DRAWING CONTAINS INFORMATION THAT IS PROPRIETARY TO MOLEX INCORPORATED AND SHOULD NOT BE USED WITHOUT WRITTEN PERMISSION	THIS DRAWING CONTAINS INFORMATION THAT IS PROPRIETARY TO MOLEX INCORPORATED AND SHOULD NOT BE USED WITHOUT WRITTEN PERMISSION
	REV A	THIS DRAWING CONTAINS INFORMATION THAT IS PROPRIETARY TO MOLEX INCORPORATED AND SHOULD NOT BE USED WITHOUT WRITTEN PERMISSION	THIS DRAWING CONTAINS INFORMATION THAT IS PROPRIETARY TO MOLEX INCORPORATED AND SHOULD NOT BE USED WITHOUT WRITTEN PERMISSION	THIS DRAWING CONTAINS INFORMATION THAT IS PROPRIETARY TO MOLEX INCORPORATED AND SHOULD NOT BE USED WITHOUT WRITTEN PERMISSION	THIS DRAWING CONTAINS INFORMATION THAT IS PROPRIETARY TO MOLEX INCORPORATED AND SHOULD NOT BE USED WITHOUT WRITTEN PERMISSION	THIS DRAWING CONTAINS INFORMATION THAT IS PROPRIETARY TO MOLEX INCORPORATED AND SHOULD NOT BE USED WITHOUT WRITTEN PERMISSION
	THIS DRAWING CONTAINS INFORMATION THAT IS PROPRIETARY TO MOLEX INCORPORATED AND SHOULD NOT BE USED WITHOUT WRITTEN PERMISSION	THIS DRAWING CONTAINS INFORMATION THAT IS PROPRIETARY TO MOLEX INCORPORATED AND SHOULD NOT BE USED WITHOUT WRITTEN PERMISSION	THIS DRAWING CONTAINS INFORMATION THAT IS PROPRIETARY TO MOLEX INCORPORATED AND SHOULD NOT BE USED WITHOUT WRITTEN PERMISSION	THIS DRAWING CONTAINS INFORMATION THAT IS PROPRIETARY TO MOLEX INCORPORATED AND SHOULD NOT BE USED WITHOUT WRITTEN PERMISSION	THIS DRAWING CONTAINS INFORMATION THAT IS PROPRIETARY TO MOLEX INCORPORATED AND SHOULD NOT BE USED WITHOUT WRITTEN PERMISSION	THIS DRAWING CONTAINS INFORMATION THAT IS PROPRIETARY TO MOLEX INCORPORATED AND SHOULD NOT BE USED WITHOUT WRITTEN PERMISSION

DATE	REV	CHANGES	REASONS	APPROVAL
2002/01/31	A	INITIAL DRAWING BASED UPON 73927-0009	CUSTOMER WANTS INSULATING TAPE ON BTM SURFACE	CD

EC NO: UDT2002-0927 DRWN: DIRKERS 2002/01/31 CHK: DIRKERS APPR: DDOYE 2002/02/07	QUALITY SYMBOLS	GENERAL TOLERANCES (UNLESS SPECIFIED)	SCALE 1:1	DESIGN UNITS METRIC	THIRD ANGLE PROJECTION	REVISE ON CAD ONLY
	▽ = 0 ∇ = 0	mm	INCH	DIMENSION STYLE		TITLE
		4 PLACES ± ---	± ---	IN/MM		
		3 PLACES ± ---	± .002	DRAWN BY	DATE	SFP CAGE ASSEMBLY, 15 PRESS LEGS, 3 EMI CLIPS, KAPTON BARRIER ON BOTTOM
2 PLACES ± 0.05	± ---	DIRKERS	2002/01/31			
1 PLACE ± ---	± ---	ANGULAR ± 1/2 °	CHECKED BY	DATE	MOLEX INCORPORATED	
		DRAFT WHERE APPLICABLE	APPROVED BY	DATE	MATERIAL NO.	DOCUMENT NO.
		MUST REMAIN WITHIN DIMENSIONS	RUSSELL	2002/01/31	73927-0014	SD-73927-014
			THIS DRAWING CONTAINS INFORMATION THAT IS PROPRIETARY TO MOLEX INCORPORATED AND SHOULD NOT BE USED WITHOUT WRITTEN PERMISSION			
A						SHEET NO. 7 OF 7