

# "High Frequency Ceramic Solutions"

## 2.45 GHz Band Pass Filter

P/N 2450BP18C100A

Detail Specification: 07/07/05

Page 1 of 2

### General Specifications

<b>Part Number</b>	2450BP18C100A
<b>Frequency (MHz)</b>	2450 ± 50
<b>Insertion Loss</b>	2.5 dB max.
<b>Return Loss</b>	9.5 dB min.
<b>Attenuation (min.)</b>	40 dB @ 1.2 - 1.8 GHz
<b>Attenuation (min.)</b>	25 dB @ 2.1 GHz
<b>Attenuation (min.)</b>	35 dB @ 4.8 - 5.0 GHz
<b>Attenuation (min.)</b>	25 dB @ 7.2 - 7.5 GHz

<b>Ripple</b>	0.7 dB max.
<b>Impedance</b>	50 Ω
<b>Input Power</b>	3 Watt max.
<b>Operating Temperature</b>	-40 to +85°C
<b>Storage Temperature</b>	-40 to +85°C
<b>Reel Quantity</b>	3,000

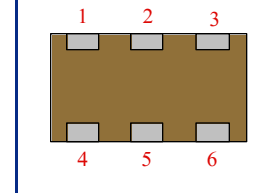
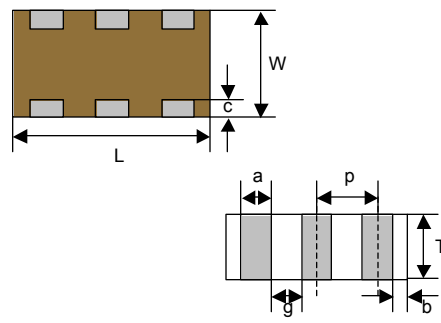
<b>Termination Style</b>	100% Tin	Suffix = "None"	eg. 2450BP18C100A
	Tin / Lead	Suffix = "/Pb"	eg. 2450BP18C100A/Pb

### Terminal Configuration

No.	Function
1	I/O
2	GND
3	GND
4	GND
5	GND
6	I/O

### Mechanical Dimensions

	In	mm
<b>L</b>	0.126 ± 0.006	3.20 ± 0.15
<b>W</b>	0.063 ± 0.006	1.60 ± 0.15
<b>T</b>	0.033 ± 0.004	0.85 ± 0.10
<b>a</b>	0.022 ± 0.006	0.55 ± 0.15
<b>b</b>	0.014 ± 0.006	0.35 ± 0.15
<b>c</b>	0.012 +.004/-.008	0.30 +0.1/-0.2
<b>g</b>	0.016 ± 0.004	0.40 ± 0.10
<b>p</b>	0.039 ± 0.004	1.00 ± 0.10

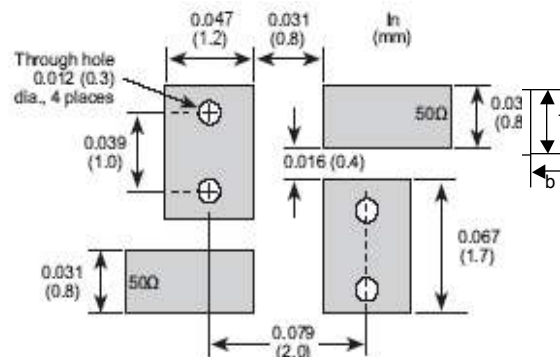


### Mounting Considerations

Mount these devices with brown mark facing up.

\* Line width should be designed to provide 50 ohm impedance, depending on PCB material and thickness

Units: mm



Johanson Technology, Inc. reserves the right to make design changes without notice.

All sales are subject to Johanson Technology, Inc. terms and conditions.



[www.johansontechology.com](http://www.johansontechology.com)

931 Via Alondra • Camarillo, CA 93012 • TEL 805.389.1166 FAX 805.389.1821

2003 Johanson Technology, Inc. All Rights Reserved

# "High Frequency Ceramic Solutions"

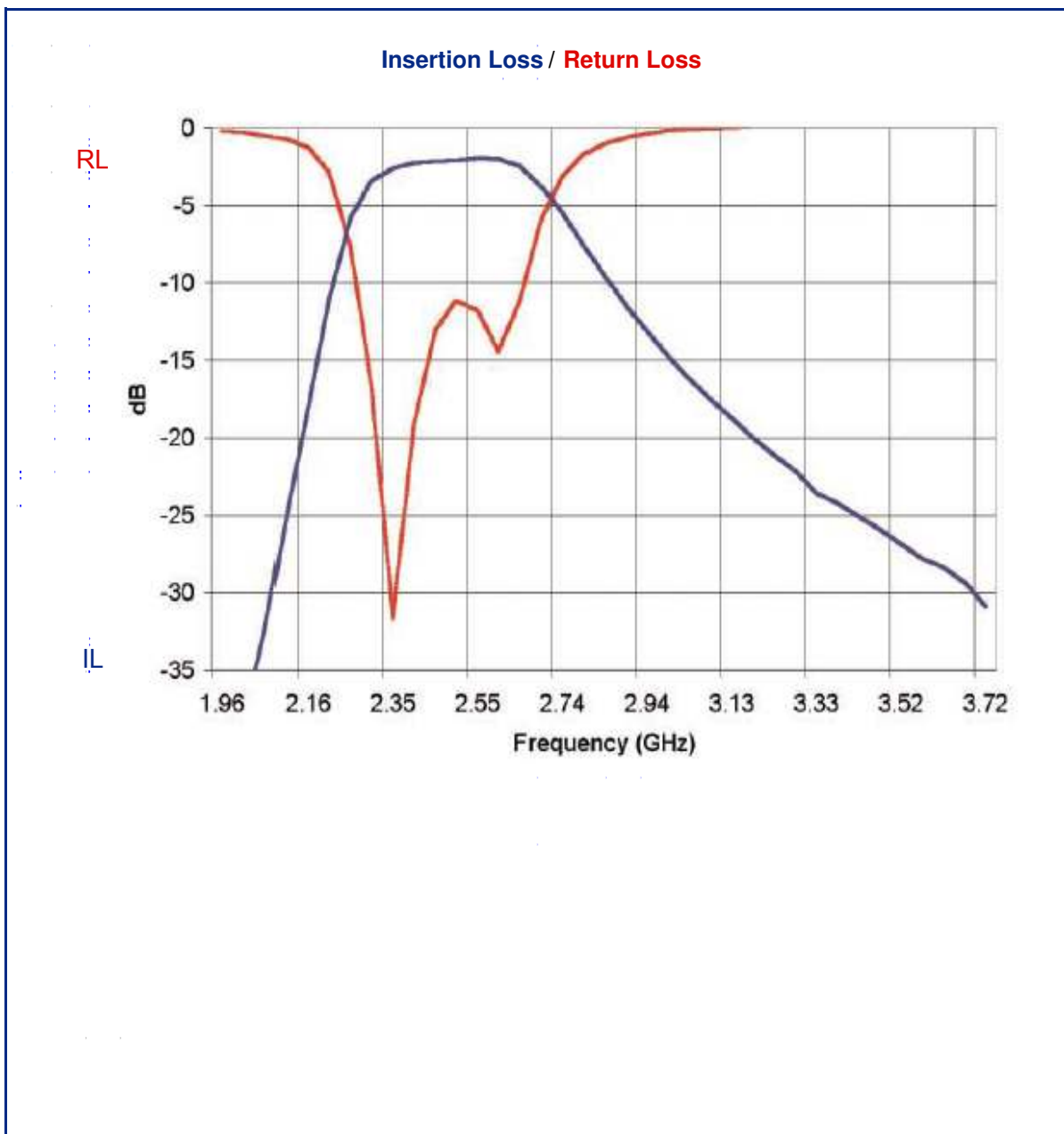
2.45 GHz Band Pass Filter

P/N 2450BP18C100A

Detail Specification: 07/07/05

Page 2 of 2

Typical Electrical Performance (T=25°C)



Johanson Technology, Inc. reserves the right to make design changes without notice.  
All sales are subject to Johanson Technology, Inc. terms and conditions.



[www.johansontechnology.com](http://www.johansontechnology.com)

931 Via Alondra • Camarillo, CA 93012 • TEL 805.389.1166 FAX 805.389.1821

2003 Johanson Technology, Inc. All Rights Reserved