

# TX6™ PLUS Category 6 UTP 3-Piece Modular Plug

Japan

**PANDUIT™**  
SPECIFICATION SHEET

## specifications

Category 6/Class E, 8-position, 8-wire, UTP 3-piece modular plug shall terminate 4-pair, 23–24 AWG, 100 ohm, solid or stranded unshielded twisted pair patch cable with maximum conductor insulation diameter of 0.042 in. (1.07mm) and maximum jacket diameter of 0.250 in. (6.35mm).



## technical information

<b>Category 6/Class E component performance:</b>	Exceeds ANSI/TIA Category 6 and ISO Class E performance requirements when properly terminated to Category 6 UTP copper cable
<b>Cable jacket diameter range:</b>	0.225 in. (5.72mm) – 0.250 in. (6.35mm)
<b>Conductor insulation diameter range:</b>	0.036 in. (0.91mm) – 0.042 in. (1.07mm)
<b>FCC and ANSI compliance:</b>	Meets ANSI/TIA-1096-A (formerly FCC Part 68)
<b>IEC compliance:</b>	IEC-60603-7
<b>PoE compliance:</b>	Supports PoE, PoE+, and proposed Type 3 and 4 PoE++ applications for up to 100W
<b>Safety compliance:</b>	cULus Listed; UL 1863 and CAN/CSA-C22.2 (UL File E129886)
<b>RoHS compliance:</b>	Compliant
<b>Conductor termination:</b>	Compatible with 23-24 AWG solid or stranded Category 6 UTP patch cable
<b>Plug housing:</b>	UL94V-0 rated clear polycarbonate
<b>Contacts:</b>	Gold plated phosphor bronze
<b>Operating temperature:</b>	4°F to 140°F (-10°C to 60°C)
<b>Storage temperature:</b>	-40°F to 158°F (-40°C to 70°C)

## key features and benefits

<b>Three-piece design:</b>	Speeds and simplifies terminating plug onto cable
<b>Patented tangle-free latch:</b>	Prevents snags and provides easy release, saving time and providing reliability on frequent moves, adds, and changes
<b>Robust construction:</b>	Rated to 2500 mating cycles

## applications

Category 6 plugs allow customers to meet performance requirements in ISO 11801 Class E, IEEE 802.3an-2006 and ANSI/TIA-568-C.2 Category 6 standards to support transmission at speeds up to and including 1000BASE-T.

These plugs can be used in applications such as high performance workstations, 155 Mb/s ATM, 622 Mb/s ATM, 1.2 Gb/s ATM, Token Ring 4/16, digital video and broadband/baseband analog video, and Voice over IP.

### Category 6 UTP Modular Plug

**100/pack:** SP688E-C

### Tools and Accessories

**Termination tool:** CSPT

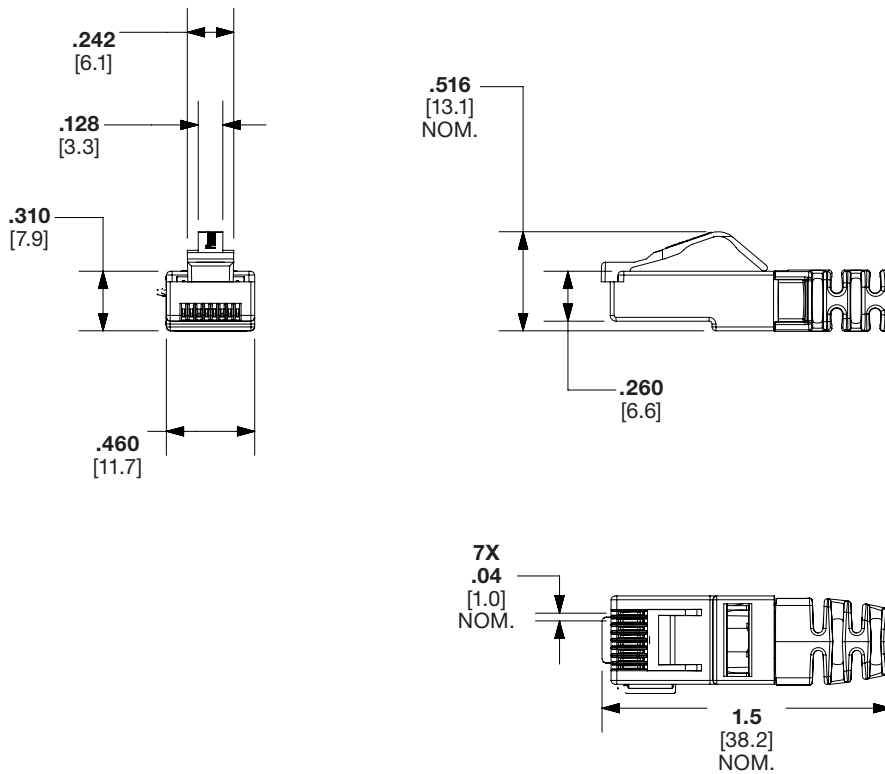
**Crimp tool:** MPT5-8AS

**RJ45 plug lock-in device (standard):** PSL-DCPLE

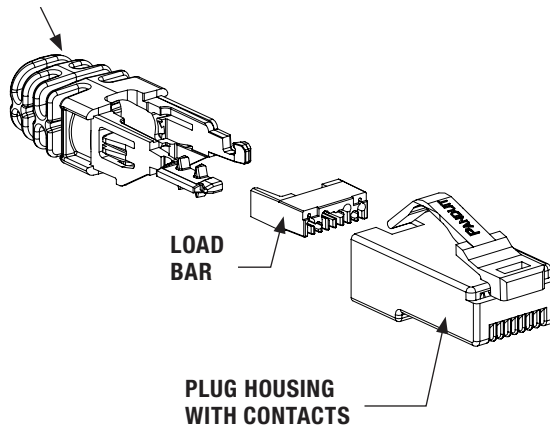
**RJ45 plug lock-in device (recessed):** PSL-DCPLRE

# TX6™ PLUS Category 6 UTP 3-Piece Modular Plug

## modular plug dimensions



**STRAIN COLLAR WITH INTEGRAL BOOT & CONDUCTOR DIVIDER**



Dimensions are in inches. [Dimensions in brackets are metric].

### WORLDWIDE SUBSIDIARIES AND SALES OFFICES

PANDUIT US/CANADA  
Phone: 800.777.3300

PANDUIT EUROPE LTD.  
London, UK  
Phone: 44.20.8601.7200

PANDUIT SINGAPORE PTE. LTD.  
Republic of Singapore  
Phone: 65.6305.7575

PANDUIT JAPAN  
Tokyo, Japan  
Phone: 81.3.6863.6000

PANDUIT LATIN AMERICA  
Guadalajara, Mexico  
Phone: 52.33.3777.6000

PANDUIT AUSTRALIA PTY. LTD.  
Victoria, Australia  
Phone: 61.3.9794.9020

For a copy of Panduit product warranties, log on to [www.panduit.com/warranty](http://www.panduit.com/warranty)

**PANDUIT™**

For more information  
Visit us at [www.panduit.com](http://www.panduit.com)  
Contact Customer Service by email: [cs@panduit.com](mailto:cs@panduit.com)  
or by phone: 800.777.3300

©2023 Panduit Corp.  
ALL RIGHTS RESERVED.  
COSP498-WW-JPN  
1/2023