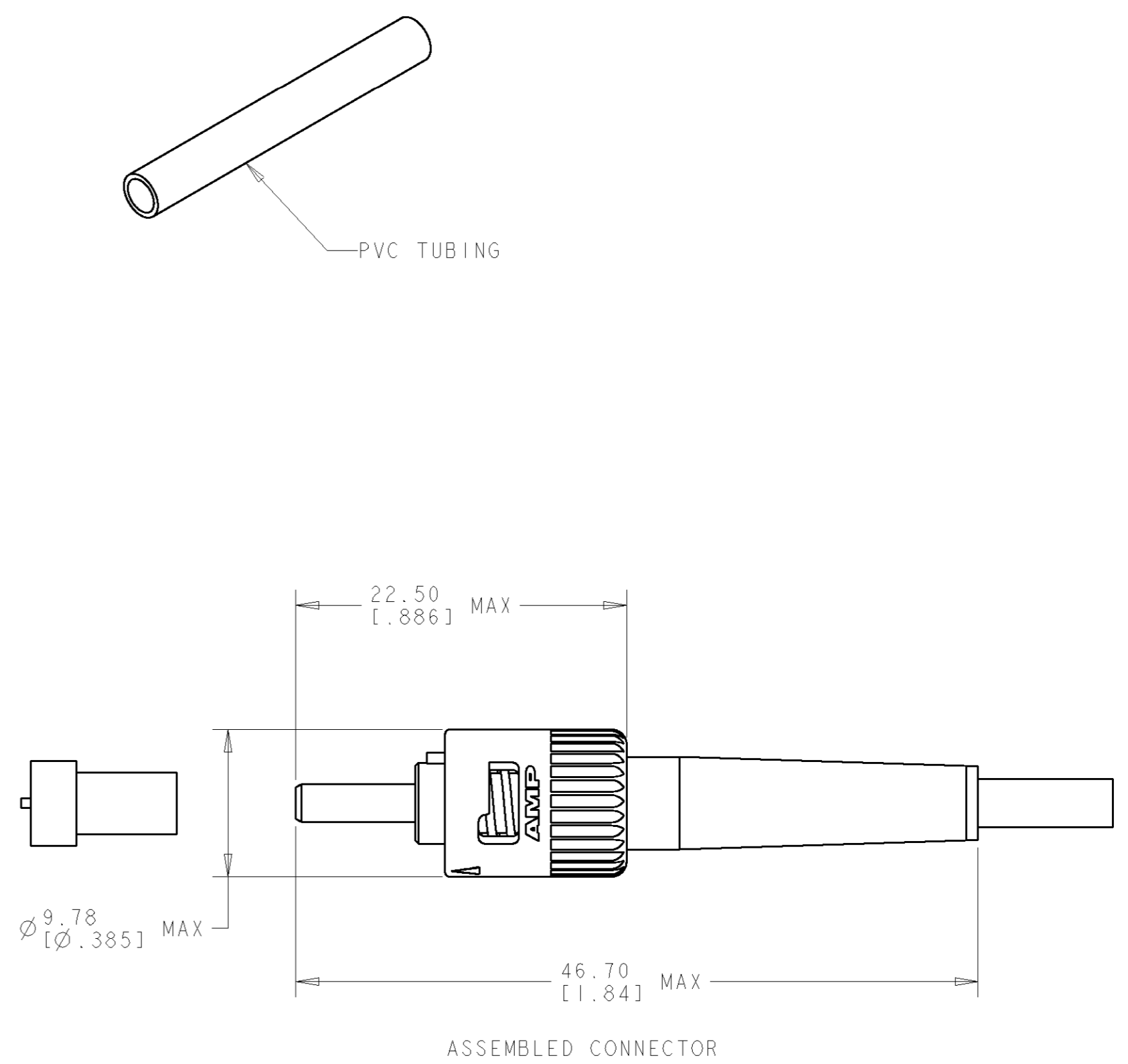
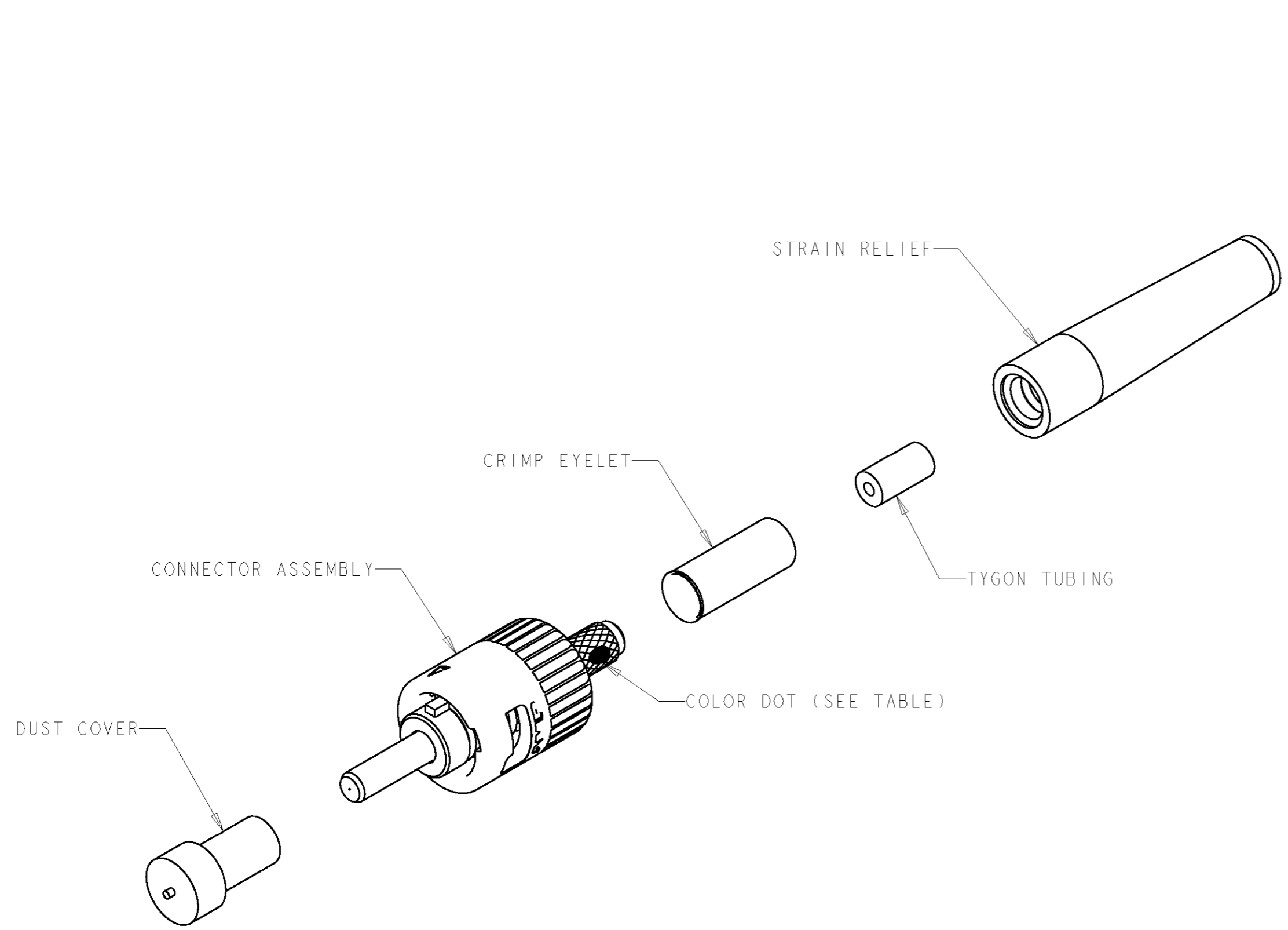


THIS DRAWING IS UNPUBLISHED. RELEASED FOR PUBLICATION 20
 © COPYRIGHT 20 BY TYCO ELECTRONICS CORPORATION. ALL RIGHTS RESERVED.

LOC	DIST	REVISIONS					
		P	LTR	DESCRIPTION	DATE	DWN	APVD
CE	16		H	REV PER 0A00-0549-00	31JUL00	TA	SB
			J	REV PER 0UB0-0213-01	27MAR2001	RCF	MH
			K	REV PER 0A00-0432-01	08NOV2001	RCF	SB
			L	REV PER 0A00-0348-02	17JUN2002	JWD	SB



- 1. DIMENSIONS IN [] ARE IN INCHES.
- 2 BODY: BRASS.
CAPILLARY: ZIRCONIA (ZrO₂).
COUPLING NUT: ZINC OR THERMOPLASTIC.
STRAIN RELIEF: THERMOPLASTIC ELASTOMER.
- 3 BODY: ELECTROLESS NICKEL.
COUPLING NUT: ELECTROLESS NICKEL.
- 4 BULK PACKAGE (1000 PCS).

OBSOLETE	PLASTIC	3.0mm	YELLOW	RED	126 μm	502580-6
OBSOLETE	METAL	2.0mm	YELLOW	RED	126 μm	502580-5
4	METAL	3.0mm	YELLOW	RED	126 μm	502580-4
OBSOLETE	METAL	3.0mm	YELLOW	BLUE	127 μm	502580-3
	METAL	3.0mm	YELLOW	RED	126 μm	502580-2
OBSOLETE	METAL	3.0mm	YELLOW	YELLOW	125 μm	502580-1
	NUT MATERIAL	CABLE SIZE	STRAIN RELIEF COLOR	COLOR DOT	FIBER SIZE	PART NUMBER

<small>THIS DRAWING IS A CONTROLLED DOCUMENT FOR TYCO ELECTRONICS CORPORATION. IT IS SUBJECT TO CHANGE AND THE CONTROLLING ENGINEERING ORGANIZATION SHOULD BE CONTACTED FOR THE LATEST REVISION.</small>		DWN N. MILLER 02JUL90 CHK R. SCHAEFFER 02JUL90 APVD J. EBERLE 02JUL90	AMP Tyco Electronics Harrisburg, PA 17105-3608
DIMENSIONS: mm 	TOLERANCES UNLESS OTHERWISE SPECIFIED: 0 PLC ± 1 PLC ± 2 PLC ± 3 PLC ± 4 PLC ± ANGLES ± FINISH	PRODUCT SPEC - APPLICATION SPEC - WEIGHT -	NAME CONNECTOR KIT, 2.5mm BAYONET, SINGLEMODE, OPTIMATE SIZE A2 CAGE CODE 00779 DRAWING NO G-502580 RESTRICTED TO - SCALE 3:1 SHEET OF REV L
MATERIAL 2	FINISH 3	CUSTOMER DRAWING	