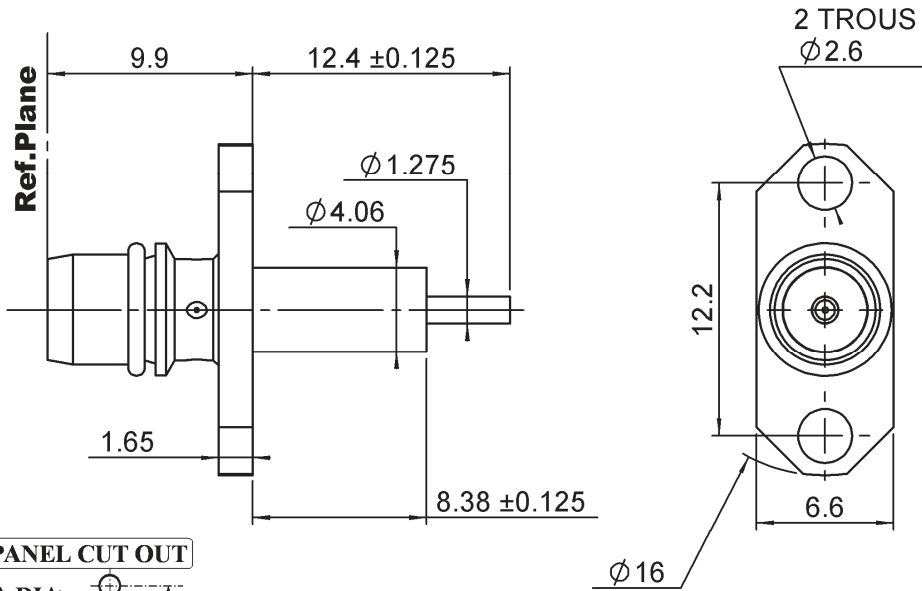
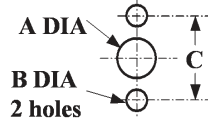


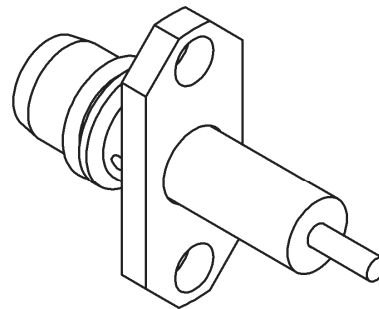
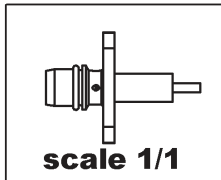
PAGE 1/2	ISSUE 1333A	SERIES <b>BMA-COM</b>	PART NUMBER <b>R128474857</b>
----------	-------------	-----------------------	-------------------------------



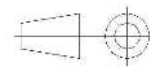
**PANEL CUT OUT**



	mm	
	Maxi	mini
A	4.2	4.1
B	2.65	2.6
C	12.25	12.15



All dimensions are in mm.



COMPONENTS	MATERIALS	PLATING (µm)
Body	<b>BRASS</b>	<b>BBR</b>
Center contact	<b>BRASS</b>	<b>NPGR</b>
Outer contact		
Insulator	<b>PTFE</b>	
Gasket		
Others parts		
-	-	-
-	-	-

PAGE 2/2	ISSUE <b>1333A</b>	SERIES <b>BMA-COM</b>	PART NUMBER <b>R128474857</b>
----------	--------------------	-----------------------	-------------------------------

**PACKAGING**

Standard	Unit	Other
<b>100</b>	<b>Contact us</b>	<b>Contact us</b>

**ELECTRICAL CHARACTERISTICS**

Impedance		<b>50</b>		$\Omega$
Frequency		<b>0-18</b>		GHz
VSWR	<b>1.04</b>	+	<b>0.0100</b>	x F(GHz) Maxi
Insertion loss			<b>0.07</b>	$\sqrt{F}$ (GHz) dB Maxi
RF leakage	-	(	<b>100</b>	- F(GHz)) dB Maxi
Voltage rating			<b>350</b>	Veff Maxi
Dielectric withstanding voltage			<b>1000</b>	Veff mini
Insulation resistance			<b>5000</b>	M $\Omega$ mini

**MECHANICAL CHARACTERISTICS**

Center contact retention				
Axial force – Mating End			<b>18</b>	N mini
Axial force – Opposite end			<b>18</b>	N mini
Torque			<b>NA</b>	N.cm mini
Recommended torque				
Mating			<b>NA</b>	N.cm
Panel nut			<b>NA</b>	N.cm
Mating life			<b>500</b>	Cycles mini
Weight			<b>2.1900</b>	g

**ENVIRONMENTAL**

Operating temperature	<b>-65/+165</b>	$^{\circ}$ C
Hermetic seal	<b>NA</b>	Atm.cm3/s
Panel leakage	<b>NA</b>	

**SPECIFICATION**

**OTHER CHARACTERISTICS**

Assembly instruction:

Others: