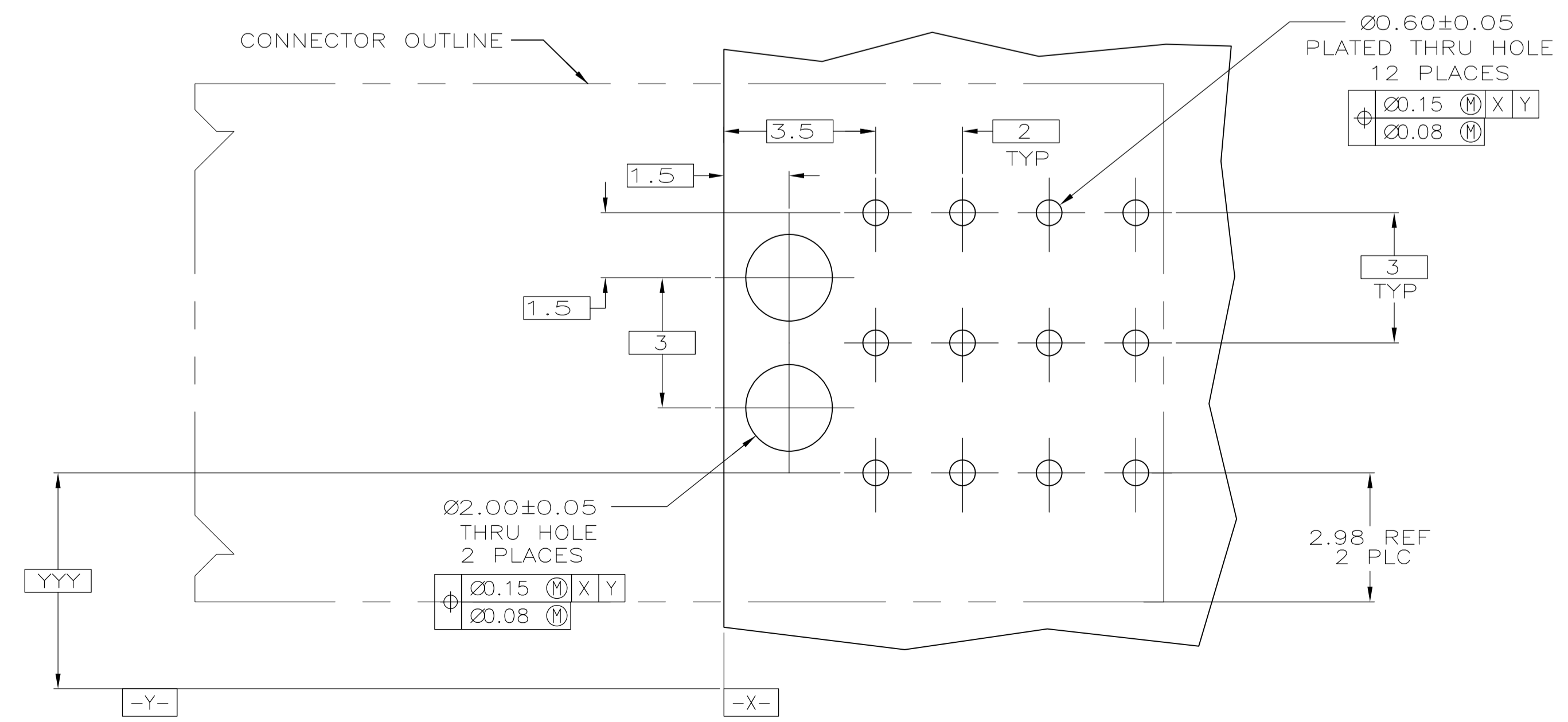
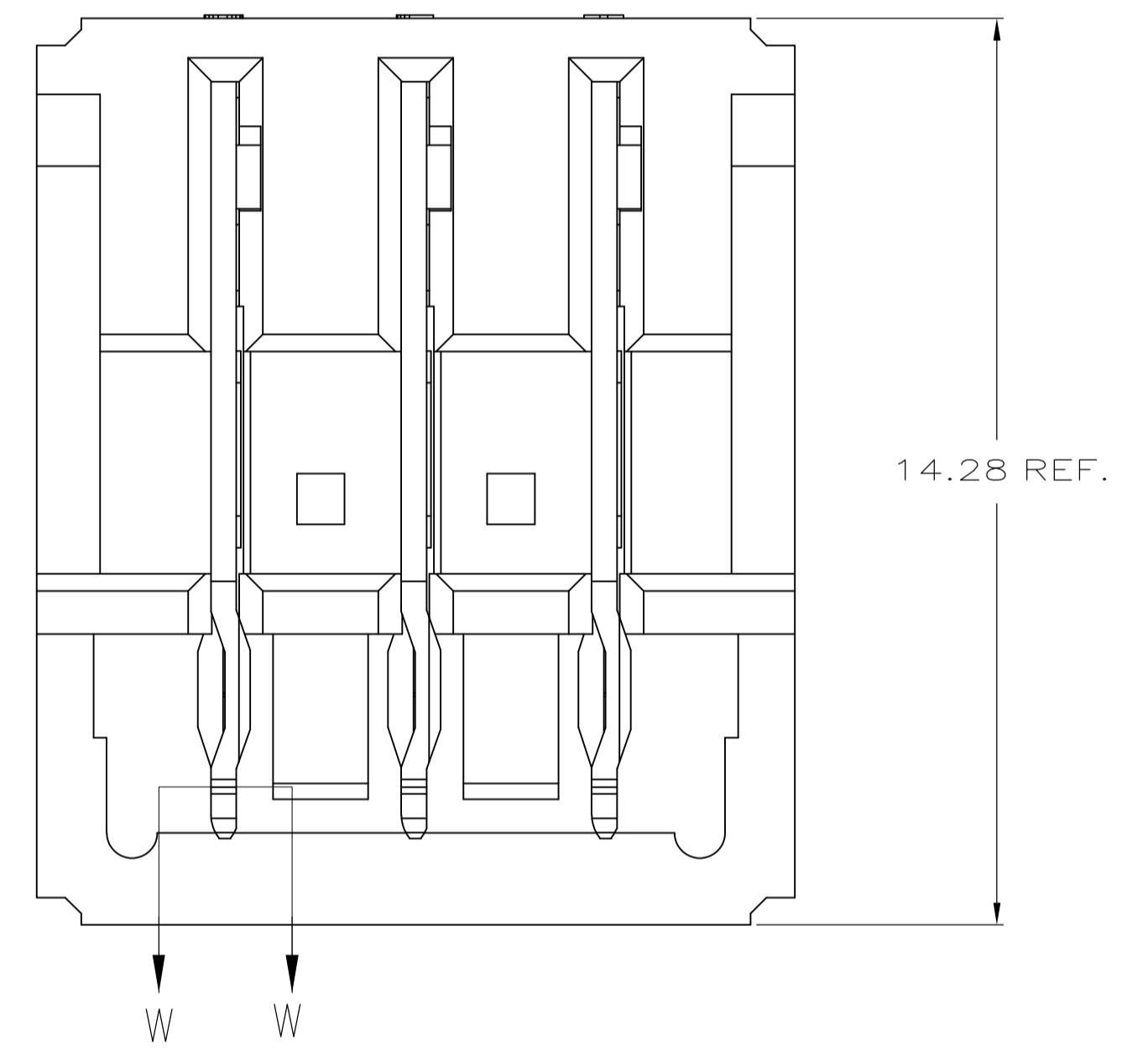
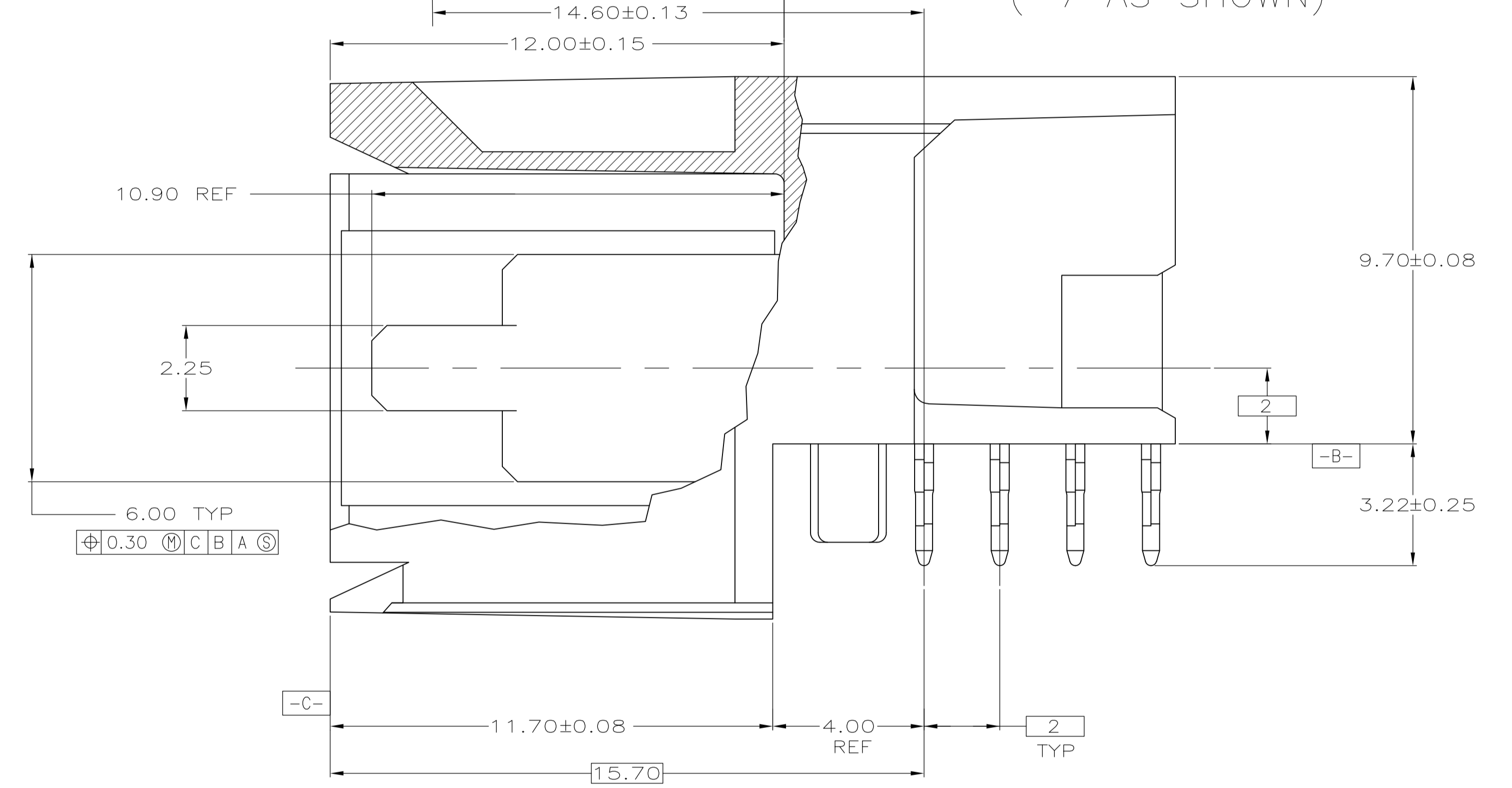
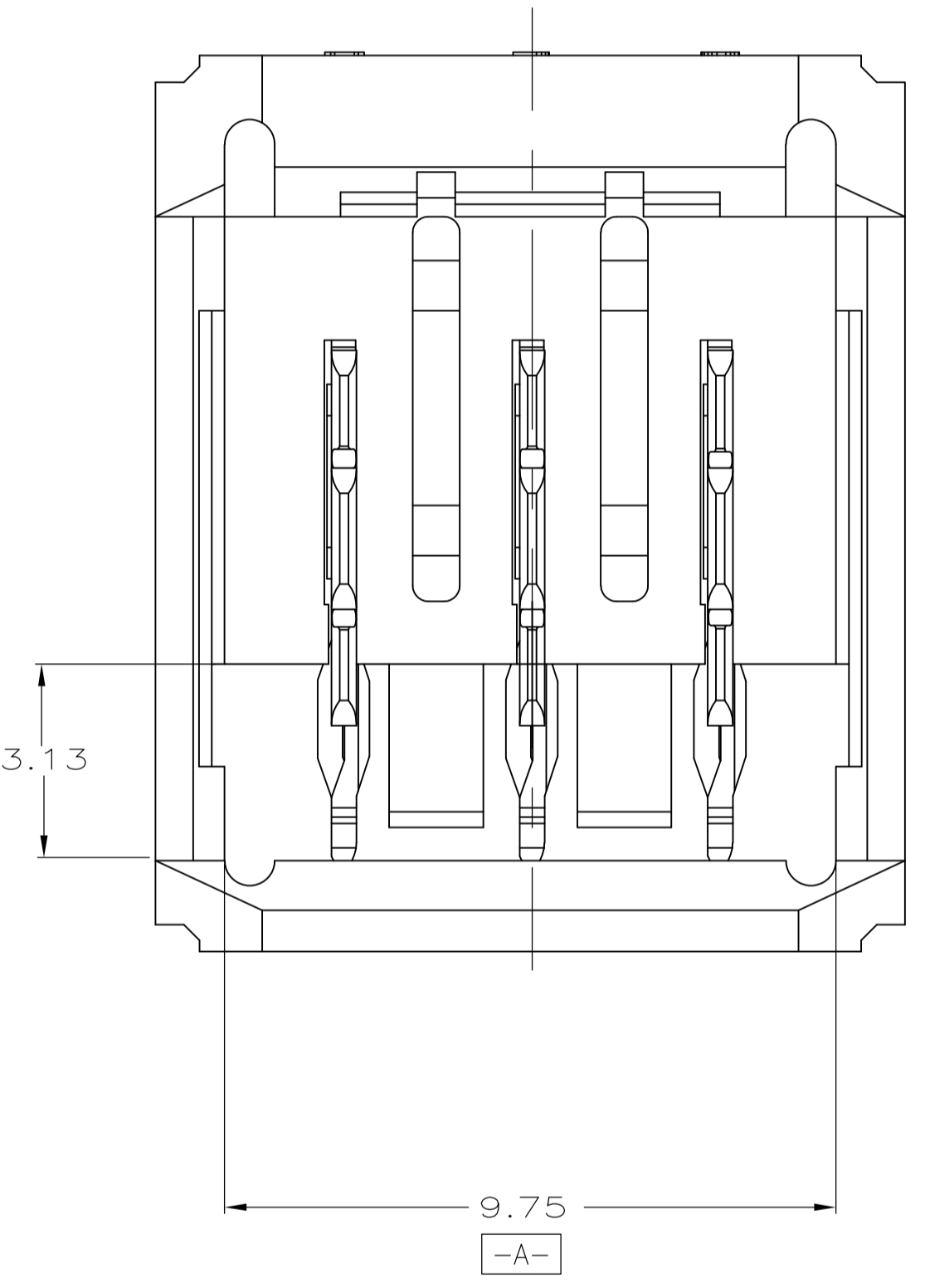
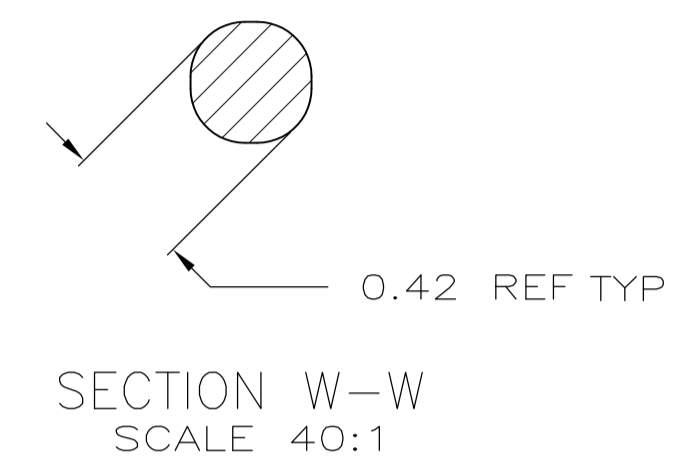


- 1 MATERIAL: HOUSING: POLYESTER. COLOR: GRAY. UL 94V-0. CONTACT: HIGH CONDUCTIVITY COPPER ALLOY.
- 2 FINISH: CONTACT MATING AREA: GOLD PLATE, ACTION PIN AREA: 0.5um MIN TIN PLATE, ALL OVER 1.27um MIN NICKEL UNDERPLATE.
- 3 FINISH: CONTACT LUBRICATION WITH BELLCORE APPROVED LUBRICANT, TECHNICAL REFERENCE: TR-NWT-001217, ISSUE 1, SEPTEMBER 1992.



2 3	A	B	C	1-292286-1
2 3	-	B	A,C	1-292286-0
2 3	-	C	A,B	292286-9
2 3	-	-	A,B,C	292286-8
2 3	A	C	B	292286-7
2 3	A	-	B,C	292286-6
2 3	-	A,B,C	-	292286-5
2 3	A	B	C	292286-4
2 3	B	A,C	-	292286-3
2 3	A,C	B	-	292286-2
2 3	A,B,C	-	-	292286-1
2 3	POSITIONS LOADED WITH 10.90 REF CONTACTS	POSITIONS LOADED WITH 9.30 REF CONTACTS	POSITIONS LOADED WITH 7.68 REF CONTACTS	ASSY P/N

THIS DRAWING IS A CONTROLLED DOCUMENT.

DIMENSIONS: mm	TOLERANCES UNLESS OTHERWISE SPECIFIED:	0 PLC ± -	1 PLC ± -	2 PLC ± 0.13	3 PLC ± -	4 PLC ± -	ANGLES ± -
----------------	--	-----------	-----------	--------------	-----------	-----------	------------

MATERIAL	SEE TABLE	FINISH	SEE TABLE	WEIGHT	-	SIZE	A1	SCALE	NTS	SHEET	1 of 1	REV	B2
----------	-----------	--------	-----------	--------	---	------	----	-------	-----	-------	--------	-----	----

Customer Drawing

RECOMMENDED PCB HOLE LAYOUT