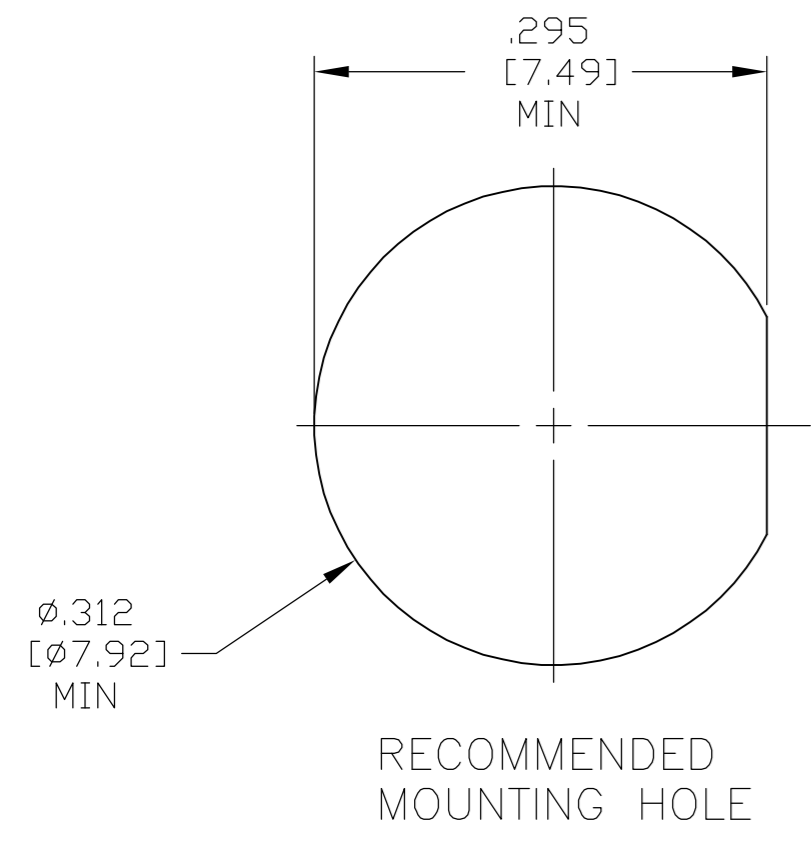
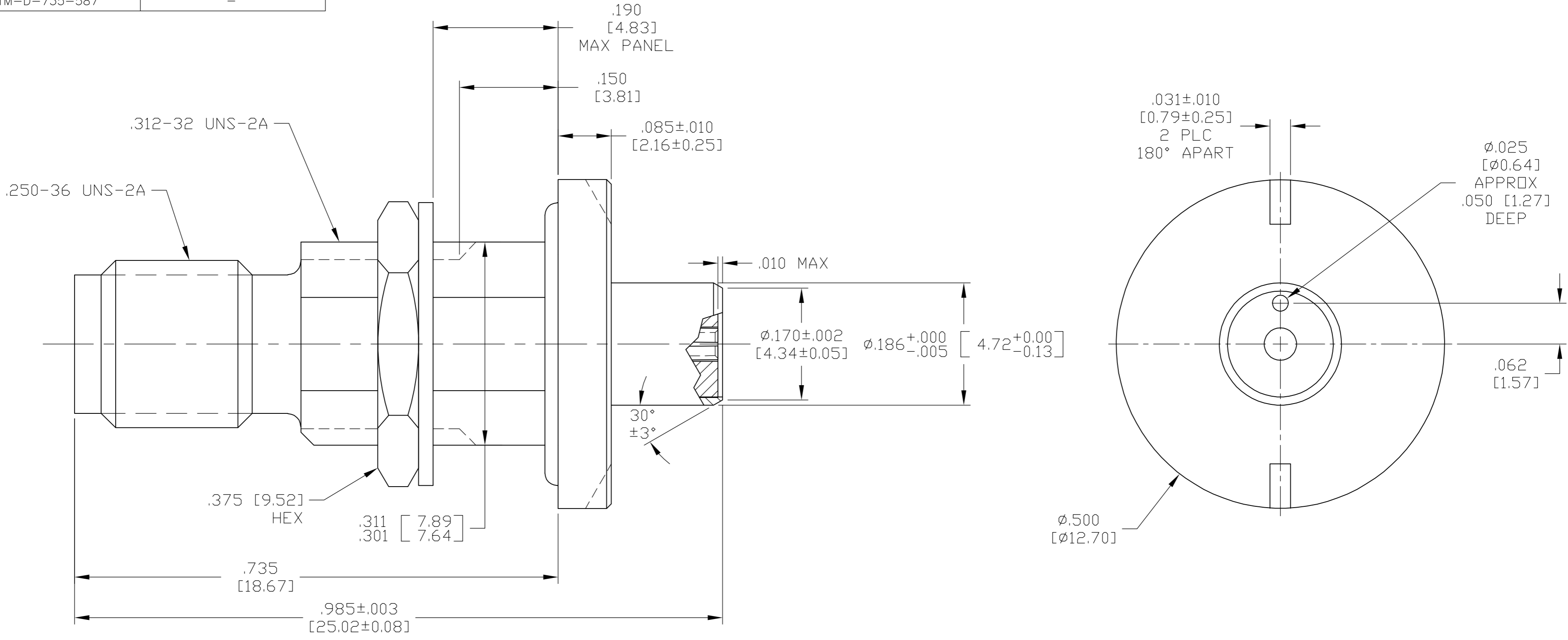


THIS DRAWING IS UNPUBLISHED. RELEASED FOR PUBLICATION
 © COPYRIGHT BY TYCO ELECTRONICS CORPORATION. ALL RIGHTS RESERVED.

LOC		DIST		REVISIONS			
P	LTR	DESCRIPTION		DATE	DWN	APVD	
D		REV PER 0H14-0046-03		10-03	CT	FB	

COMPONENT	MATERIAL	FINISH
MOUNTING NUT HOUSING WASHER	STAINLESS STEEL PER ASTM-A-484 OR ASTM-A-582 TYPE 303	PASSIVATED PER ASTM-A-380
DIELECTRIC	PTFE FLUOROCARBON PER ASTM-D-484	-
CENTER CONTACT	BERYLLIUM COPPER PER ASTM-B-196 OR 197 ALLOY C17300, CONDITION H	GOLD PLATED PER ASTM-B-488
"O"-RING	ETHYLENE PROPYLENE RUBBER PER ASTM-D-735-587	-



1663286

1081154-1
PART NO.

THIS DRAWING IS A CONTROLLED DOCUMENT.		DWN C.C.THOMAS 10-14-03	Tyco Electronics Corporation Harrisburg, PA 17105
DIMENSIONS: INCHES		CHK F.BLASICK 10-14-03	
TOLERANCES UNLESS OTHERWISE SPECIFIED:		APVD F.BLASICK 10-14-03	NAME BULKHEAD FEED-THRU ADAPTER HERMETICALLY SEALED,RF
0 PLC ± - 1 PLC ± - 2 PLC ± - 3 PLC ± .005 [0.13] 4 PLC ± - ANGLES ± - FINISH SEE TABLE		PRODUCT SPEC APPLICATION SPEC	SIZE A2
MATERIAL SEE TABLE		WEIGHT -	CAGE CODE 00779
		CUSTOMER DRAWING	DRAWING NO C=1081154
		SCALE 8:1	RESTRICTED TO -
		SHEET 1 OF 1	REV D