

# Banana Jack - Insulated Pierced Lug Terminal



INCHES (MILLIMETERS)  
CUSTOMER DRAWINGS AVAILABLE UPON REQUEST

## SPECIFICATIONS

**Contact:** Brass per QQ-B-626D

**Finish:** Nickel

**Hex Head:** Molded phenolic

**Hardware:** Nickel plated nut, fiber insulating washer and stamped tin plated solder terminal (unassembled)

**Panel Thickness:** Up to .281 (7.15)

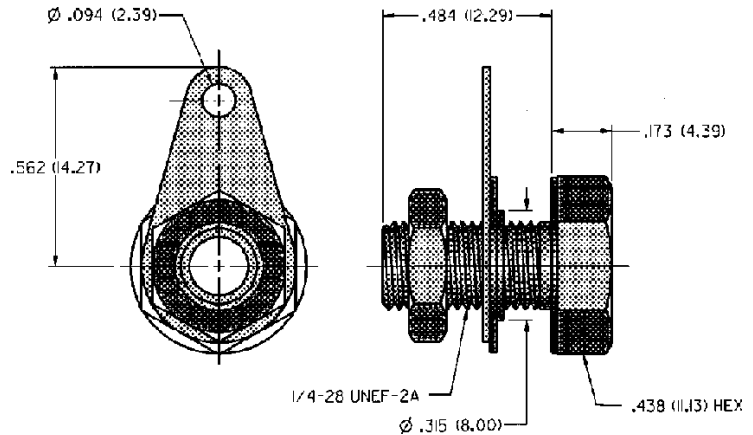
## RATINGS

**Current:** 15 amps

**Breakdown Voltage:** 1500 Vrms minimum

**Contact Resistance:** 0.010 ohms maximum

**Contact-To-Panel:** 2.4 pF nominal



### NICKEL PLATING

108-0745-001 Red

**For Standard Banana Plug: .175 (4.44) Across Flats**

## FEATURES:

- Withstands extreme temperatures and abuse
- Stamped tin plated solder terminal with hole for up to 12 gauge wire
- Integrally molded hex head for fast installation