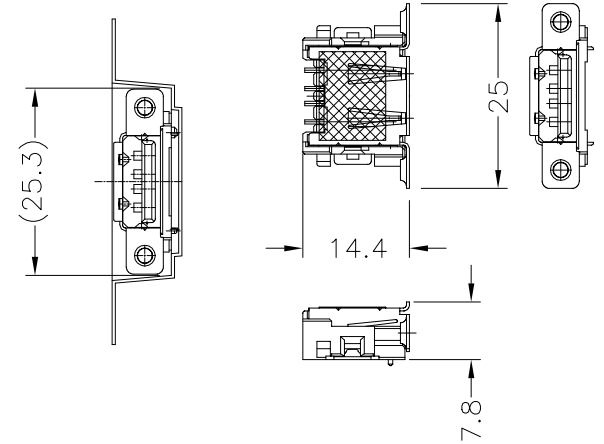
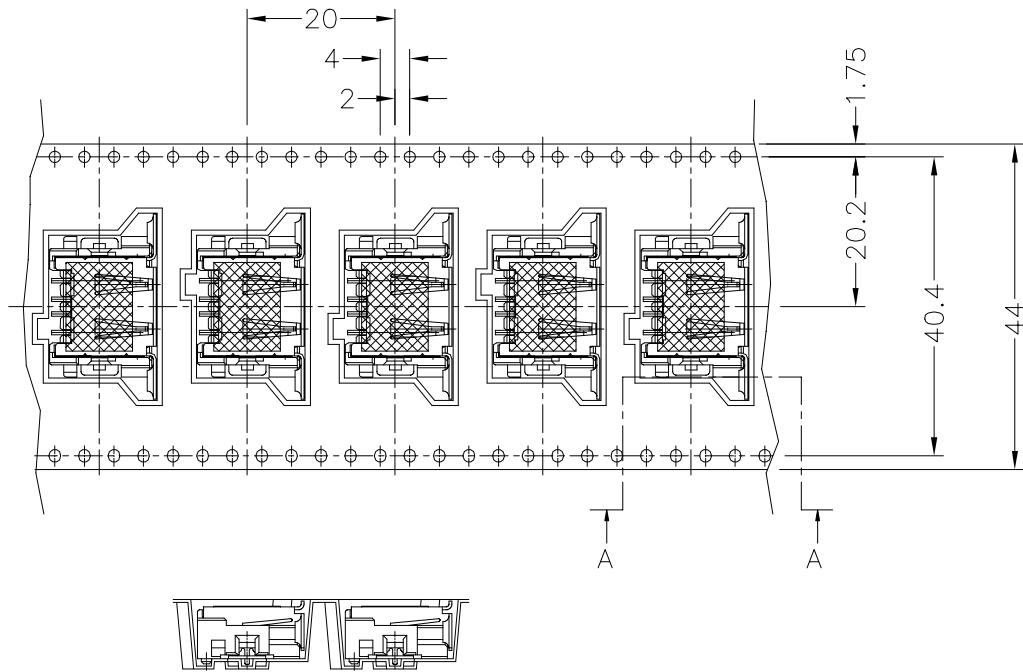


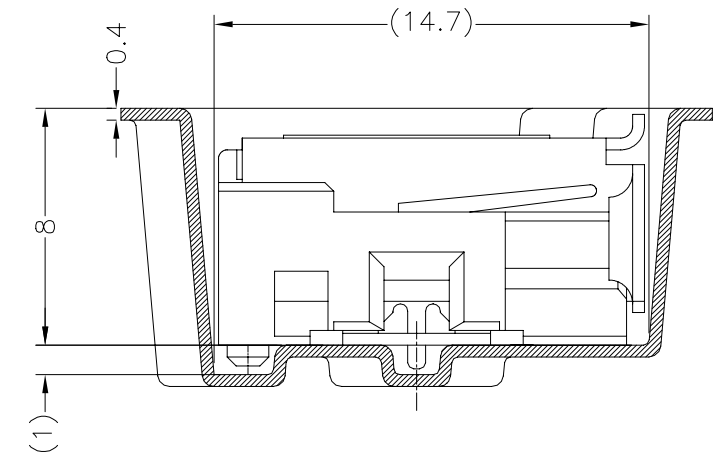
REVISIONS

P	LTR	DESCRIPTION	DATE	DWN	APVD
P1		ECR-21-101984	21APR2021	RR	SZ

DIRECTION OFF TOP OF REEL

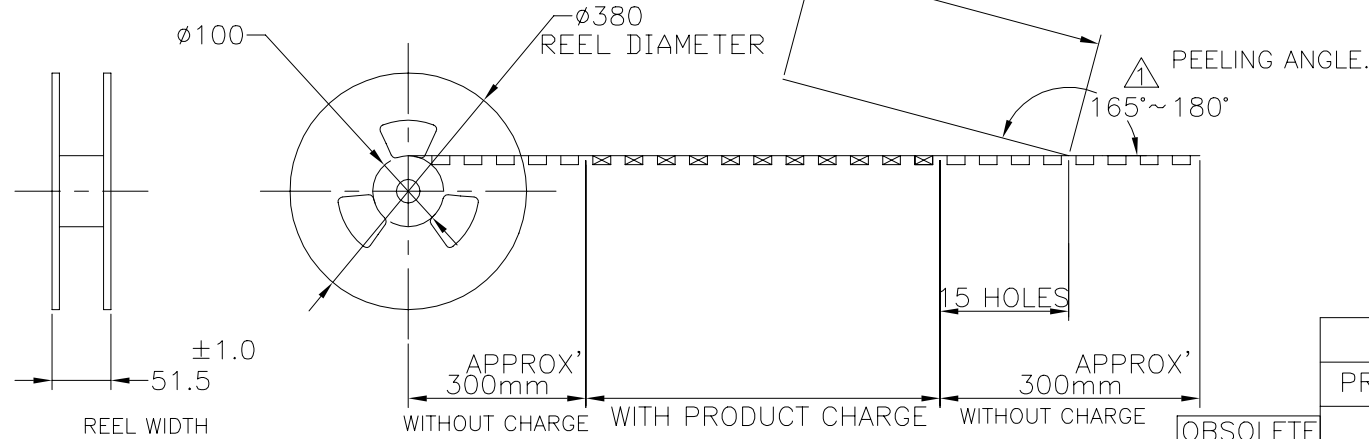


CONNECTOR DETAIL



SECT B-B
(4:1)

FLANGE CORE DIAMETER



5353929-1, 2 ²

Notes

- 1. PRELIMINARY PRODUCT DOES NOT BE PROMISED MANUFACTURE POSITIVELY.
- ² OBSOLETE PARTS: OBSOLETE CIS STREAMLINING PER D.RENAUD/D.SINISI

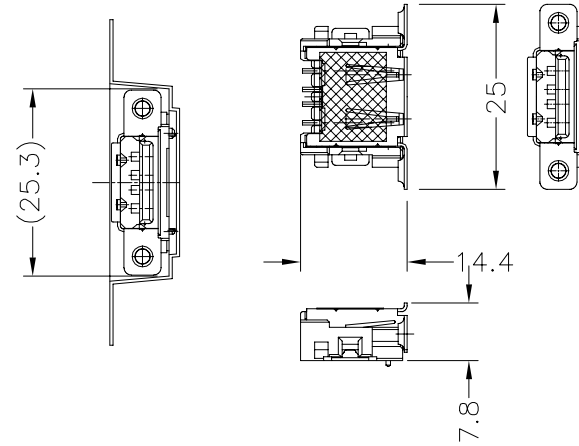
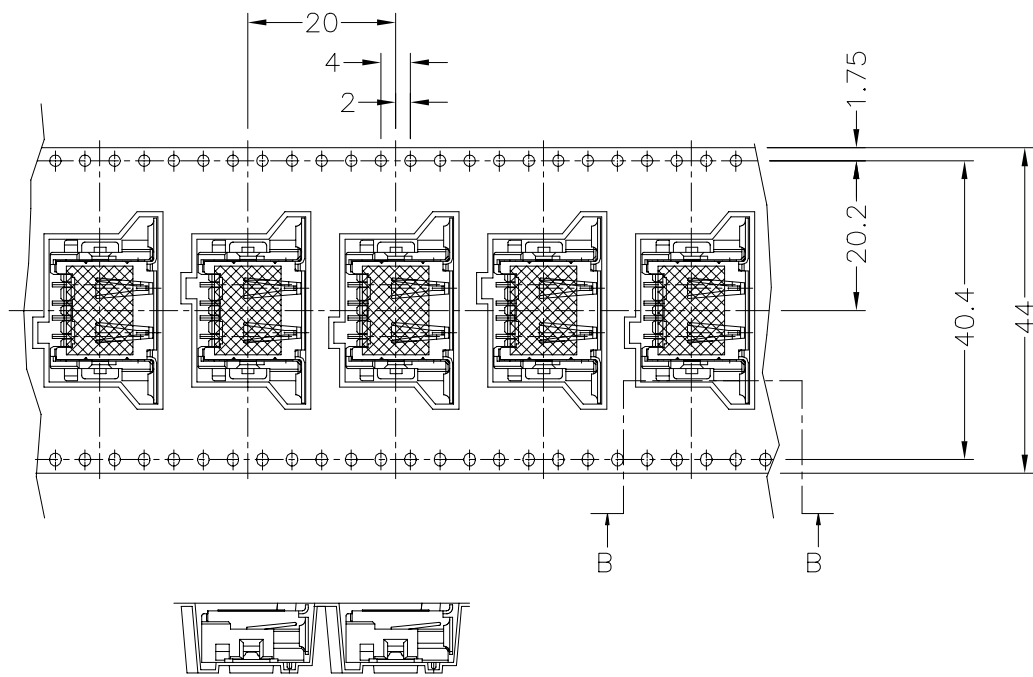
OBSOLETE

PRODUCING	BLACK	350	4	1-6674429-2	5353929-6
PRELIMINARY NOT FOR PRODUCTION	WHITE	350	4	1-6674429-1	² -5353929-5-
PRODUCING	BLACK	350	4	1-5353583-4	-5353929-4-
PRELIMINARY NOT FOR PRODUCTION	WHITE	350	4	1-5353583-3	² -5353929-3-
PRELIMINARY NOT FOR PRODUCTION	BLACK	350	4	1-5353583-2	² -5353929-2-
PRODUCING	WHITE	350	4	1-5353583-1	5353929-1
TOOLING STATUS	HOUSING COLOR	QTY	POS	CONN. P/N	PART NO.

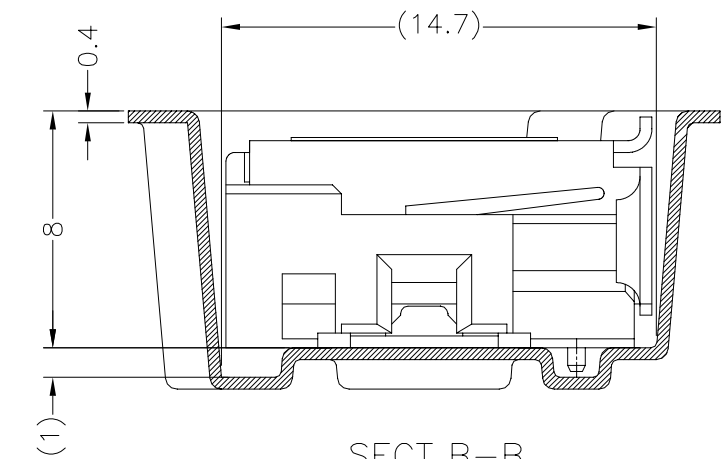
THIS DRAWING IS A CONTROLLED DOCUMENT.		DWN	J.JIANG	23MAR04	TE Connectivity Ltd.
DIMENSIONS: MM		CHK	S.YAO	23MAR04	
TOLERANCES UNLESS OTHERWISE SPECIFIED: 0 PLC ± 0.3 1 PLC ± 2 PLC ± 3 PLC ± 4 PLC ± ANGLES ± 5°		APVD	T.SASAKI	23MAR04	
		PRODUCT SPEC		NAME	
MATERIAL		FINISH		108-5563 APPLICATION SPEC	
		WEIGHT		EMBOSS ASSY STD TYPE USB CONN. REC. WITH COVER TYPE	
		CUSTOMER DRAWING		SIZE	A3
				CAGE CODE	00779
				DRAWING NO	5353929
				RESTRICTED TO	-
				SCALE	1:1
				SHEET	1 of 3
				REV	P1

P	LTR	DESCRIPTION	DATE	DWN	APVD
-	-	SEE SHEET 1	-	-	-

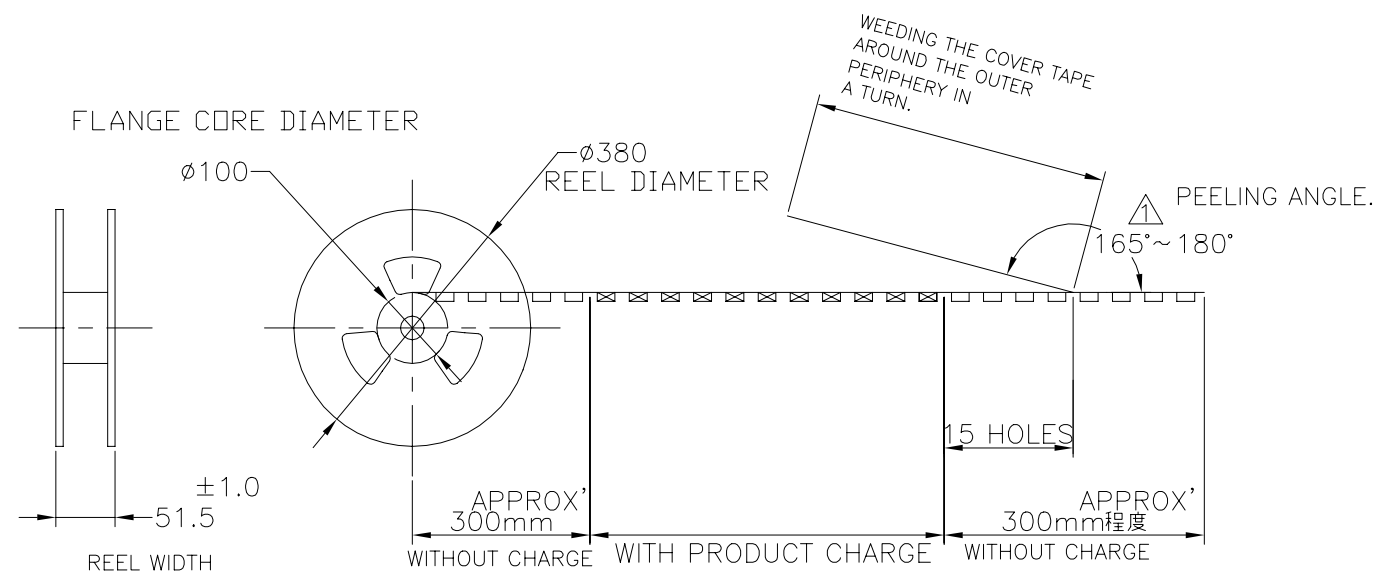
DIRECTION OFF TOP OF REEL →



CONNECTOR DETAIL



SECT B-B
(4:1)

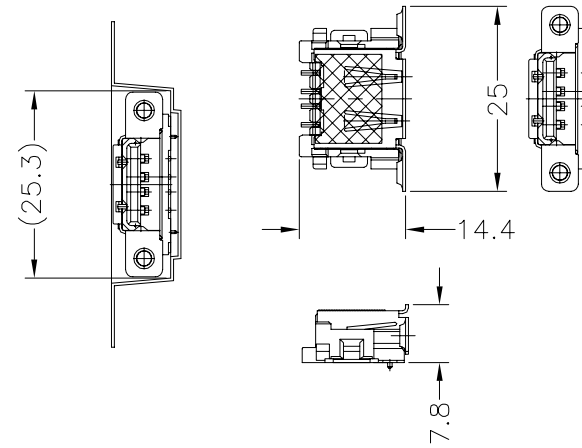
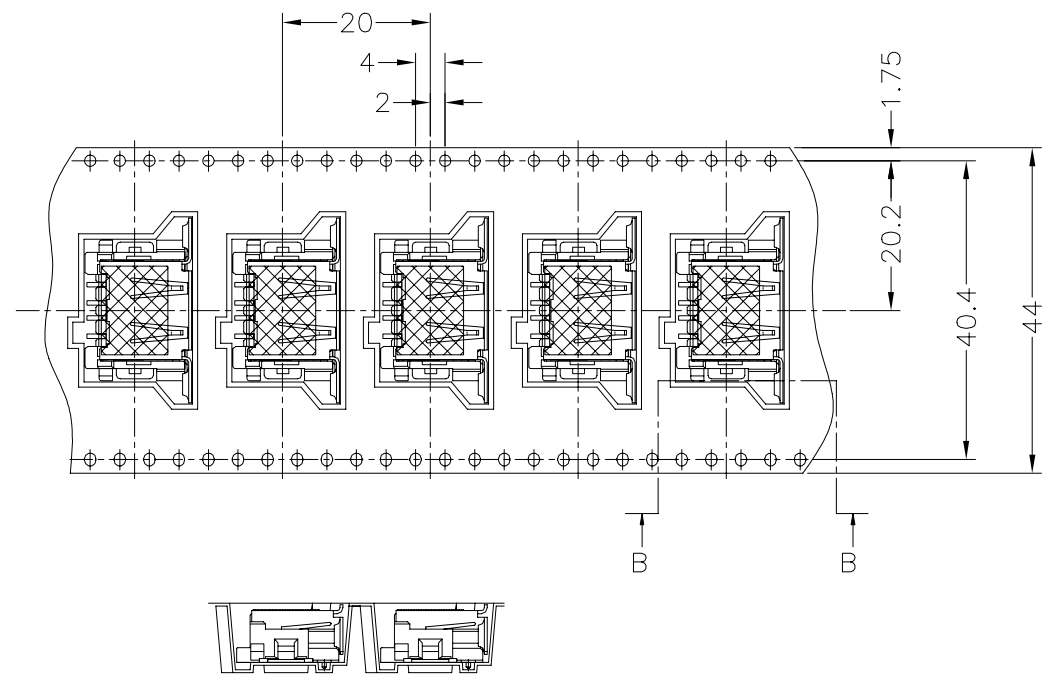


5353929-3,4

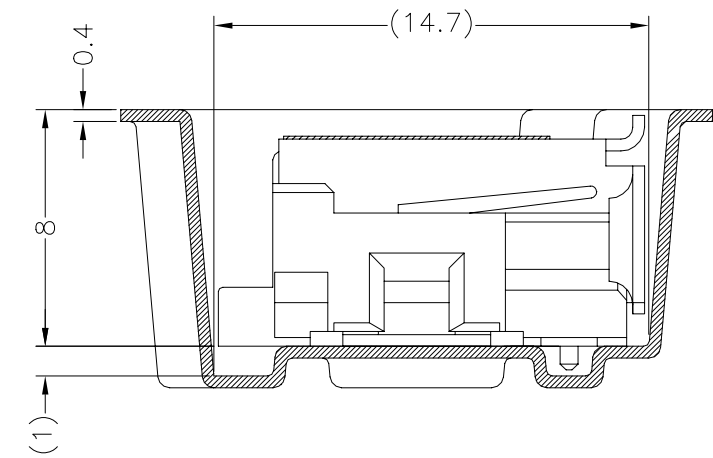
THIS DRAWING IS A CONTROLLED DOCUMENT.		DWN	TE Connectivity Ltd.					
DIMENSIONS: MM		CHK				NAME		
TOLERANCES UNLESS OTHERWISE SPECIFIED:		APVD				EMBOSS ASSY		
0 PLC ± 0.3 1 PLC ± 2 PLC ± 3 PLC ± 4 PLC ± ANGLES ± 5°		PRODUCT SPEC				STD TYPE USB CONN. REC. WITH COVER TYPE		
MATERIAL		FINISH	APPLICATION SPEC	SIZE	CAGE CODE	DRAWING NO	RESTRICTED TO	
			WEIGHT	A3	00779	5353929	-	
CUSTOMER DRAWING			SCALE	1:1	SHEET	2 of 3	REV P1	

P	LTR	DESCRIPTION	DATE	DWN	APVD
-	-	SEE SHEET 1	-	-	-

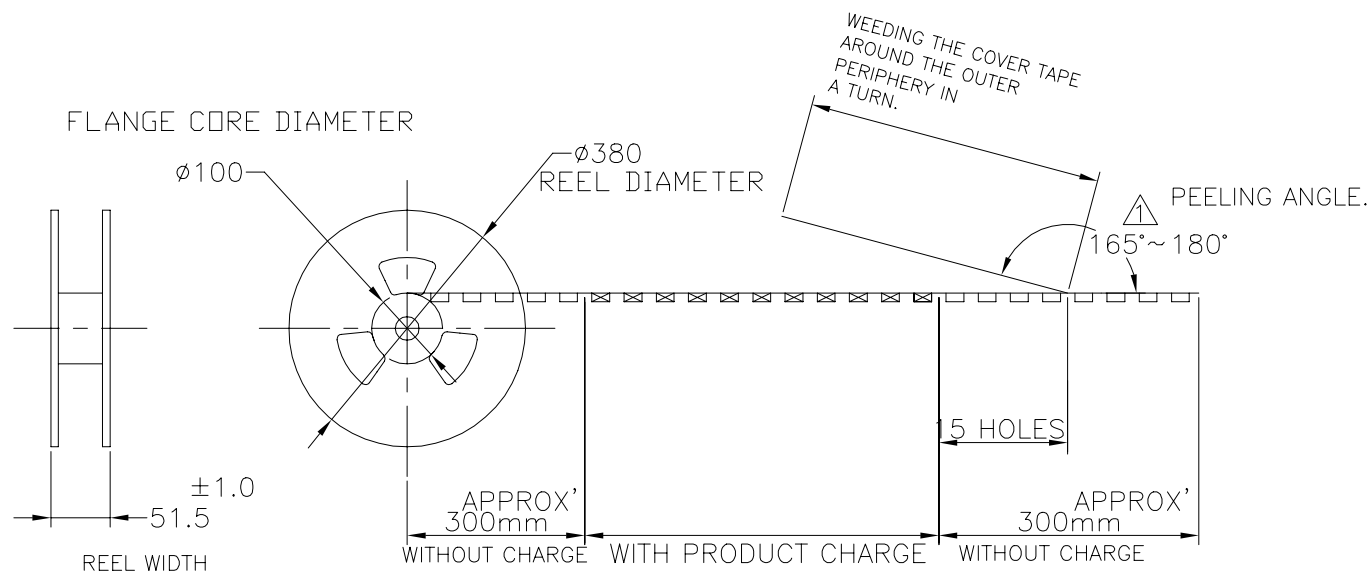
DIRECTION OFF TOP OF REEL



CONNECTOR DETAIL



SECT B-B
(4:1)



5353929-~~5~~,6

THIS DRAWING IS A CONTROLLED DOCUMENT.		DWN	TE Connectivity Ltd.				
DIMENSIONS: MM		CHK					
TOLERANCES UNLESS OTHERWISE SPECIFIED:		APVD					
0 PLC ± 0.3 1 PLC ± 2 PLC ± 3 PLC ± 4 PLC ± ANGLES ± 5°		PRODUCT SPEC					
MATERIAL		FINISH	NAME	EMBOSS ASSY			
			APPLICATION SPEC	STD TYPE USB CONN. REC. WITH COVER TYPE			
			WEIGHT	SIZE	CAGE CODE	DRAWING NO	RESTRICTED TO
			CUSTOMER DRAWING	A3	00779	5353929	-
			SCALE	1:1	SHEET	3 of 3	REV P1