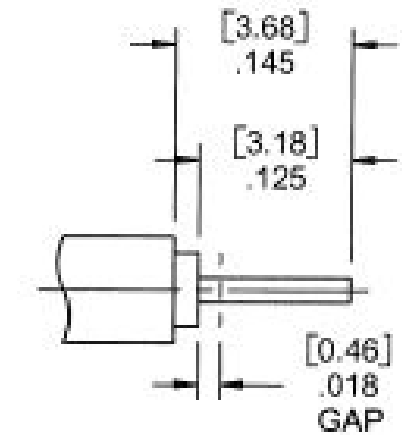
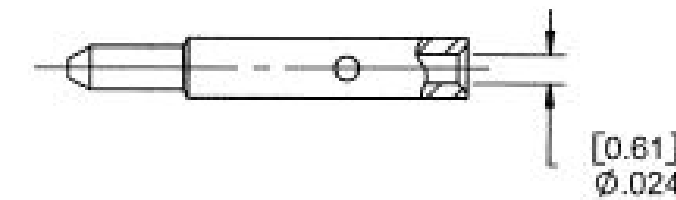
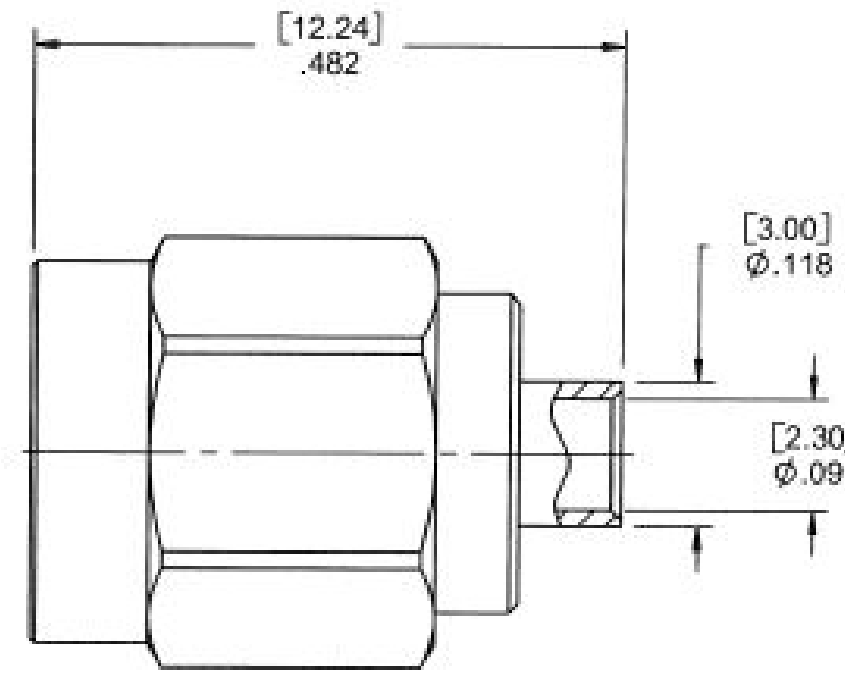
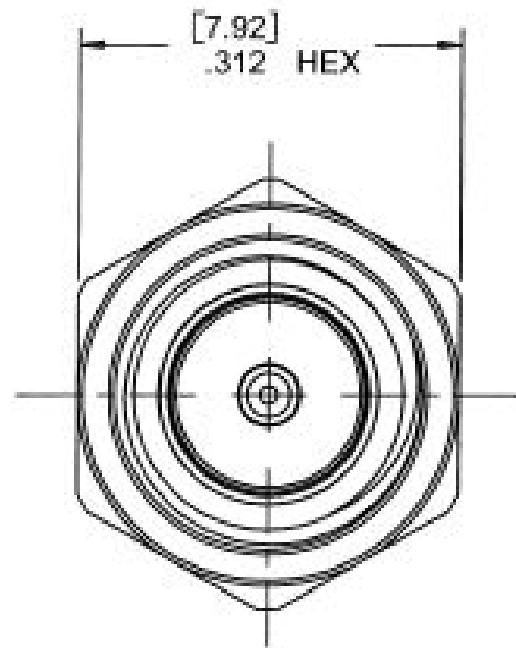
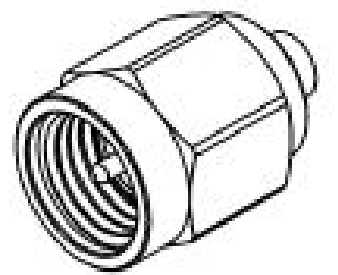


NOTES:
 1. MATERIALS:
 RETAINING RING: BERYLLIUM COPPER
 ALL OTHER METAL PARTS: BRASS
 INSULATOR: TEFLON
 GASKET: SILICONE RUBBER
 2. FINISH:
 BODY, CONTACT & COUPLING NUT: GOLD OVER NICKEL
 3. ELECTRICAL:
 IMPEDANCE: 50 OHMS
 FREQUENCY RANGE: 0 - 18 GHz
 4. APPLICATION DATA:
 -FOR USE WITH Ø.086 SEMI-RIGID CABLE OR EQUIVALENT



MOLEX P/N: 73391-6160
 FCT P/N: A24P1NA-103-10G

QUALITY SYMBOLS $\nabla = 0$ $\nabla = 0$ $\nabla = 0$	GENERAL TOLERANCES (UNLESS SPECIFIED)	DIMENSION STYLE	SCALE	DESIGN UNITS	THIRD ANGLE PROJECTION
	4 PLACES ± mm ± INCH	INCHES [mm]	8:1	INCH	
	3 PLACES ± .005				
	2 PLACES ± 0.127 ± .01				
1 PLACE ± 0.25 ± .005					
0 PLACE ± .005					
ANGULAR ± 2°					
DRAFT WHERE APPLICABLE MUST REMAIN WITHIN DIMENSIONS					
MOLEX BORDER ECN NO: 615299 DRWN: JWB DATE: 04/18/19 APPR: [Signature]					

FUNCTIONAL SYMBOLS	THIS DRAWING CONTAINS INFORMATION THAT IS PROPRIETARY TO MOLEX ELECTRONIC TECHNOLOGIES, LLC AND SHOULD NOT BE USED WITHOUT WRITTEN PERMISSION		CURRENT REV DESC:		
$\nabla = 0$ $\nabla = 0$ $\nabla = 0$	DIMENSION UNITS	SCALE			
	mm	1:1			
	GENERAL TOLERANCES (UNLESS SPECIFIED)				
	ANGULAR TOL ± °				
	4 PLACES ±		EC NO: 646024		
	3 PLACES ±		DRWN: MYLU07 2020/09/09		
	2 PLACES ±		CHK'D: YHUANG11 2020/09/25		
	1 PLACE ±		APPR: LCHEN03 2020/09/25		
	0 PLACES ±		INITIAL REVISION:		
	DRAFT WHERE APPLICABLE MUST REMAIN WITHIN DIMENSIONS		DRWN: JED 2008/08/20		
	THIRD ANGLE PROJECTION		APPR: SP 2008/08/28		
			DRAWING	SERIES	DOCUMENT NUMBER
			C-SIZE	73391	733916160
					CUSTOMER
					FCT_US CUSTOMER
					SHEET NUMBER
					1 OF 1

897685560	UN-INCLUDE	A24P1NA-103-10G
733916160	INCLUDE	A24P1NA-103-10G
PART NO.	PACKAGING	FCT PART NO.