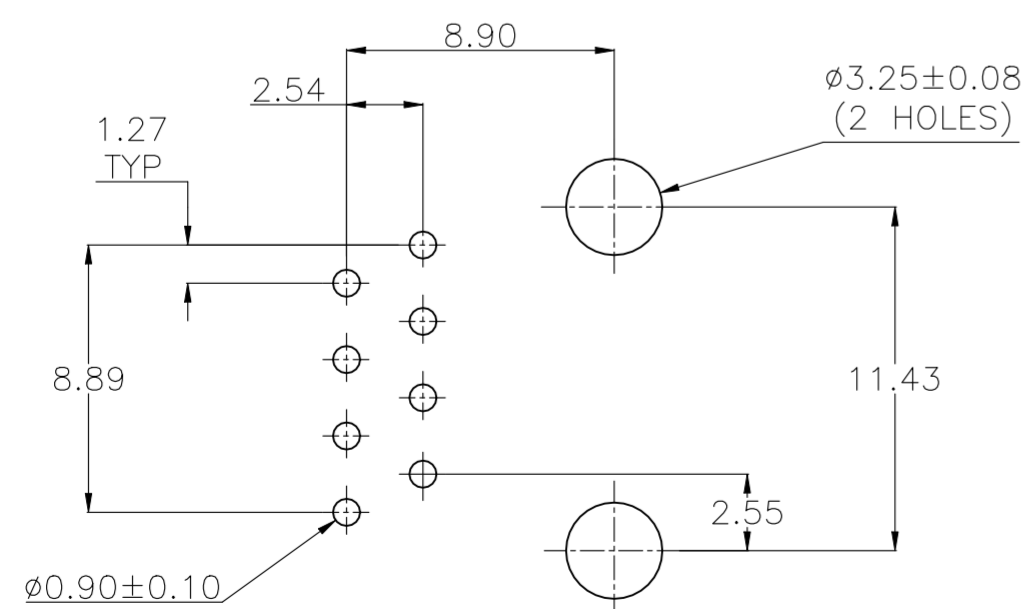
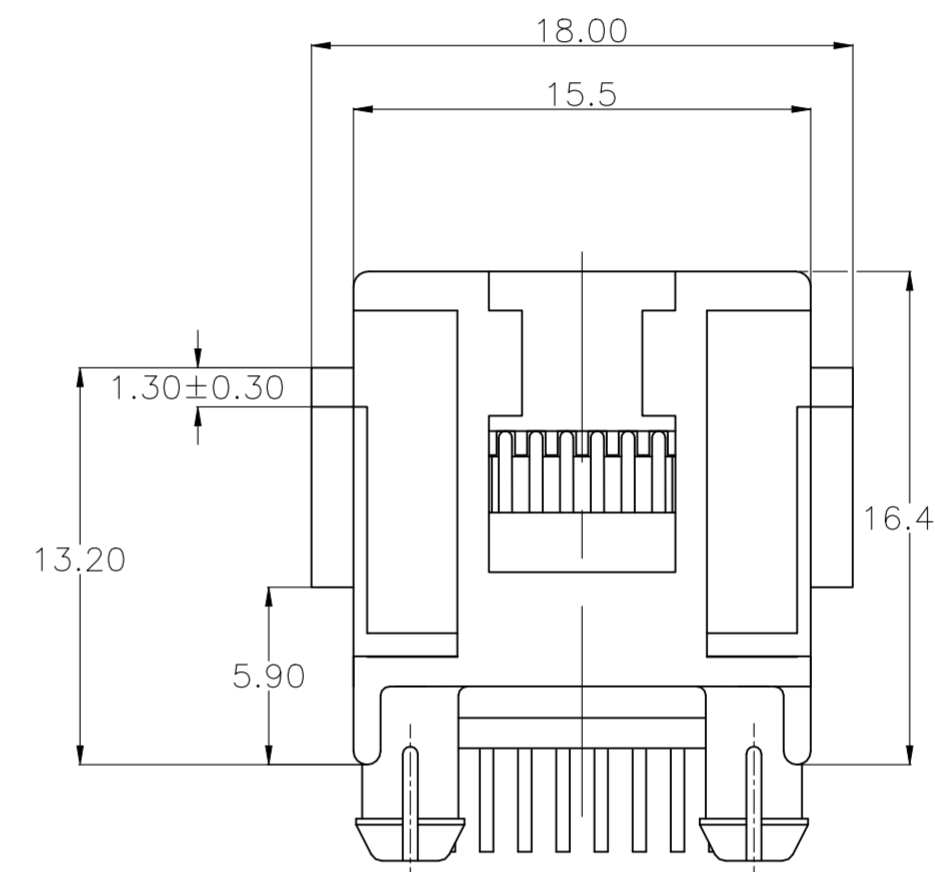
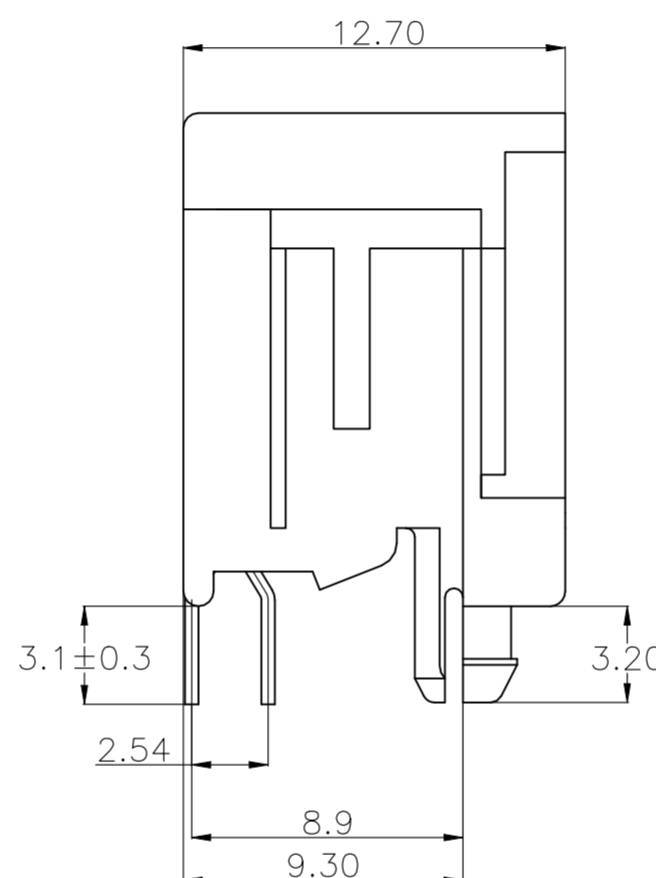
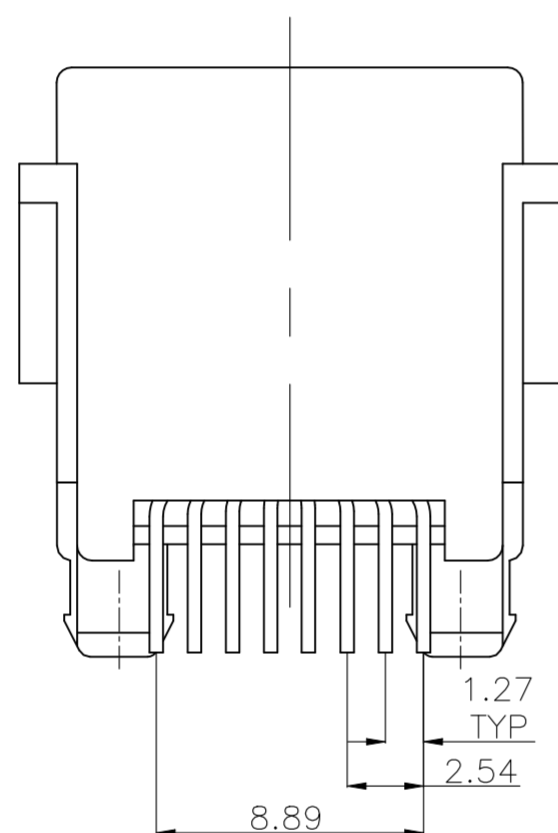
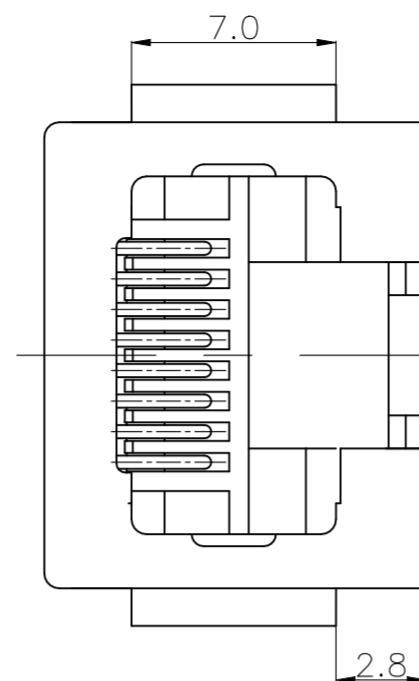


REVISIONS					
P	LTR	DESCRIPTION	DATE	DWN	APVD
M4		REVISED PER ECN-23-197266	13FEB2023	AB	SZ

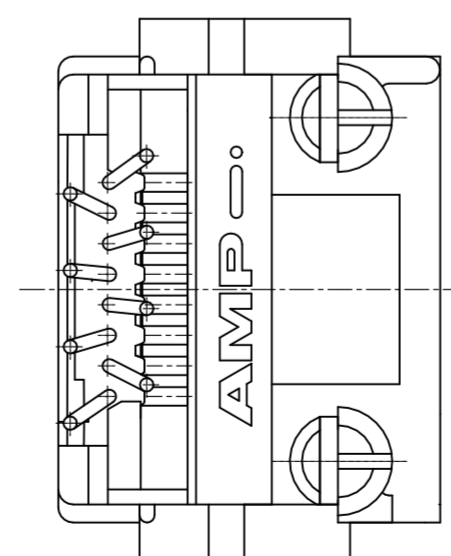
NOTES:

1. TOLERANCES UNLESS OTHERWISE SPECIFIED: ± 0.15
2. FOR APPLICATION INFORMATION SEE AMP SPEC. 114-19019.
3. FOR PERFORMANCE REQUIREMENTS SEE AMP SPEC. 108-19064



PRINTED CIRCUIT BOARD LAYOUT

[VIEW SHOWN IS CIRCUIT (NONCOMPONENT) SIDE OF BOARD.]
 TOLERANCES UNLESS OTHERWISE SPECIFIED: ± 0.05
 PRINTED CIRCUIT BOARD THICKNESS: 1.6 mm NOMINAL.

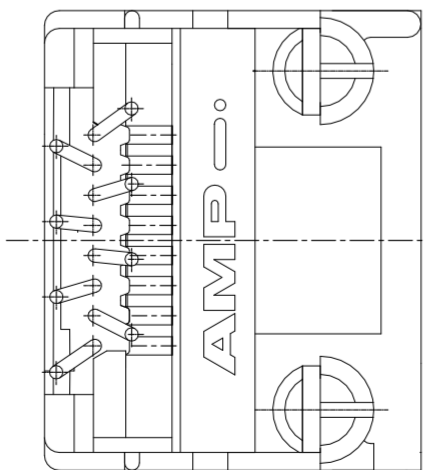
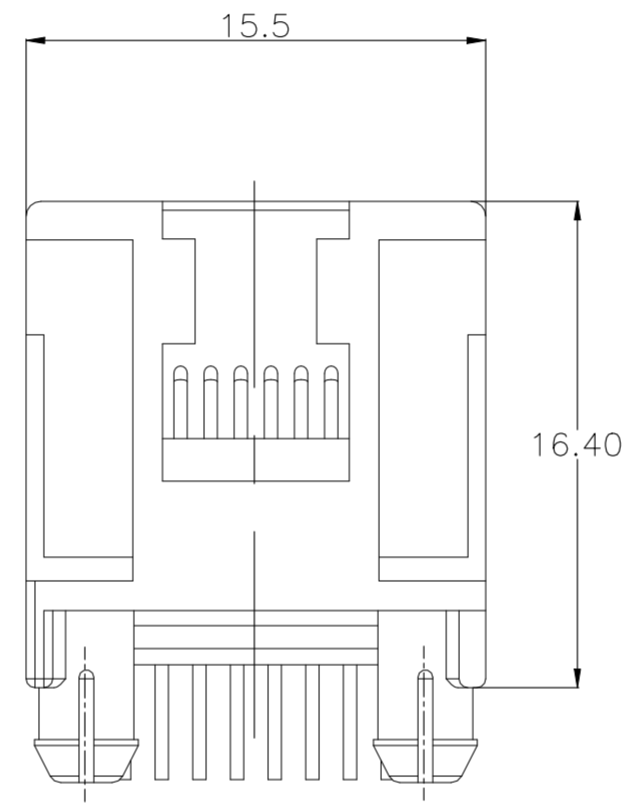
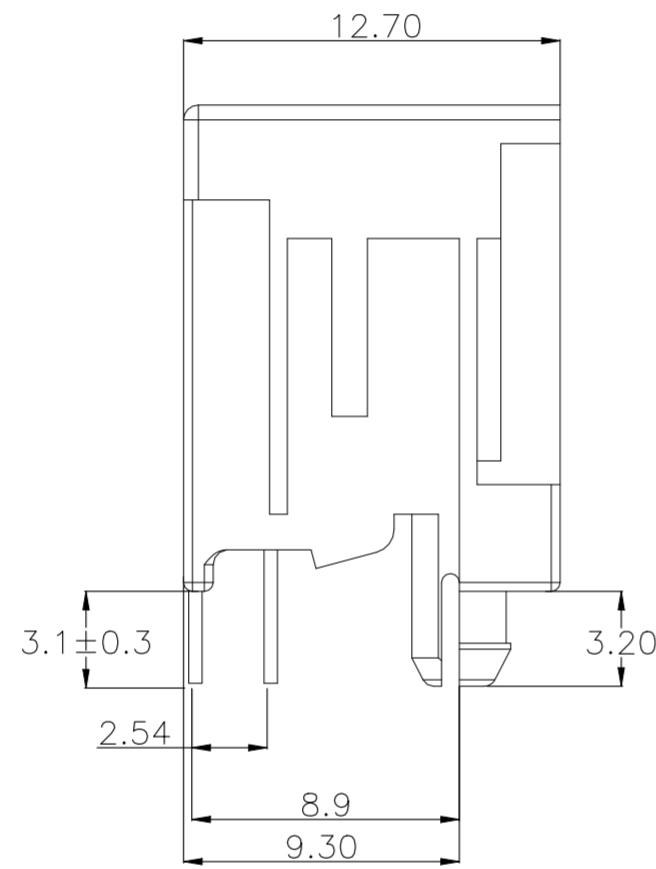
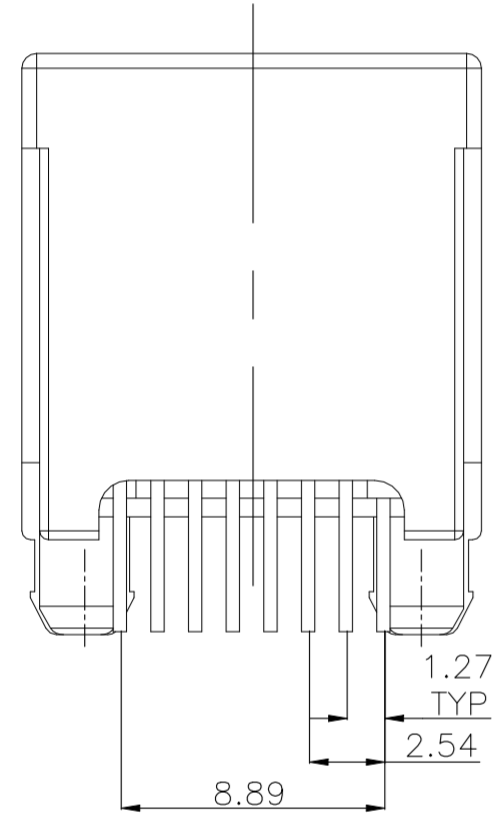
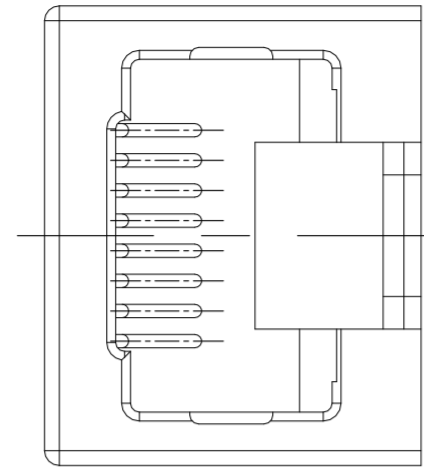


800 PCS. ON A 60cm. DIA. REEL	8 POSITIONS/ 8 CONTACTS.	IN CONTACT AREA: 1.2 μ m MIN. SEL. GOLD OVER 1.2 μ m MIN. NICKEL	HOUSING: PBT,UL 94V-0 COLOR: BLACK	216550-2
		SOLDER TINES: 2.0 μ m MIN. TIN OVER 1.2 μ m MIN. NICKEL	HOUSING: PBT,UL 94V-HB COLOR: BLACK	216550-1
PACKAGING	REMARKS	FINISH	MATERIAL	PART NUMBER

THIS DRAWING IS A CONTROLLED DOCUMENT.		DWN J.V.LIEMPT 22JAN92	TE Connectivity Ltd.																			
DIMENSIONS: mm		CHK C.STERKEN																				
TOLERANCES UNLESS OTHERWISE SPECIFIED:		APVD L.V.SOEST	NAME																			
<table border="1"> <tr><td>0 PLC</td><td>\pm</td><td>-</td></tr> <tr><td>1 PLC</td><td>\pm</td><td>-</td></tr> <tr><td>2 PLC</td><td>\pm</td><td>-</td></tr> <tr><td>3 PLC</td><td>\pm</td><td>-</td></tr> <tr><td>4 PLC</td><td>\pm</td><td>-</td></tr> <tr><td>ANGLES</td><td>\pm</td><td>-</td></tr> </table>		0 PLC	\pm	-	1 PLC	\pm	-	2 PLC	\pm	-	3 PLC	\pm	-	4 PLC	\pm	-	ANGLES	\pm	-	PRODUCT SPEC	MODULAR JACK, 8 POS. TOP ENTRY, SMALL SIZE WITH PANEL STOPS, FOR PCB	
0 PLC	\pm	-																				
1 PLC	\pm	-																				
2 PLC	\pm	-																				
3 PLC	\pm	-																				
4 PLC	\pm	-																				
ANGLES	\pm	-																				
MATERIAL SEE TABLE	FINISH SEE TABLE	APPLICATION SPEC	SIZE A2	CAGE CODE 00779																		
CUSTOMER DRAWING		WEIGHT -	DRAWING NO C=216550	RESTRICTED TO -																		
			SCALE -	SHEET 1 of 2																		
			REV M4																			

REVISIONS

P	LTR	DESCRIPTION	DATE	DWN	APVD
-	-	SEE SHEET 1	-	-	-



TRAY PACKAGING	REMARKS	FINISH	MATERIAL	PART NUMBER
				216550-7
			HOUSING: PBT,UL 94V-HB GREY-RAL 7035	216550-6
			CONTACTS: PHOSPHOR BRONZE	
			HOUSING: PBT,UL 94V-HB YELLOW Pantone 115U	216550-5
			CONTACTS: PHOSPHOR BRONZE	
			HOUSING: PBT,UL 94V-HB COLOR: BLACK	216550-4
			CONTACTS: PHOSPHOR BRONZE	
THE SAME AS 216550-1, BUT NO PANEL STOP				

THIS DRAWING IS A CONTROLLED DOCUMENT.		DWN J.v.LIEMPT 22JAN92	STE TE Connectivity Ltd.	
DIMENSIONS: mm		CHK C.STERKEN		
TOLERANCES UNLESS OTHERWISE SPECIFIED:		APVD L.V.SOEST	NAME	
0 PLC ± -		PRODUCT SPEC	MODULAR JACK, 8 POS. TOP ENTRY, SMALL SIZE WITH PANEL STOPS, FOR PCB	
1 PLC ± -		APPLICATION SPEC	SIZE A2	CAGE CODE 00779
2 PLC ± -		WEIGHT -	DRAWING NO C=216550	RESTRICTED TO -
3 PLC ± -		MATERIAL SEE TABLE	SCALE -	SHEET 2 of 2
4 PLC ± -		FINISH SEE TABLE	REV M4	
ANGLES ± -		CUSTOMER DRAWING		